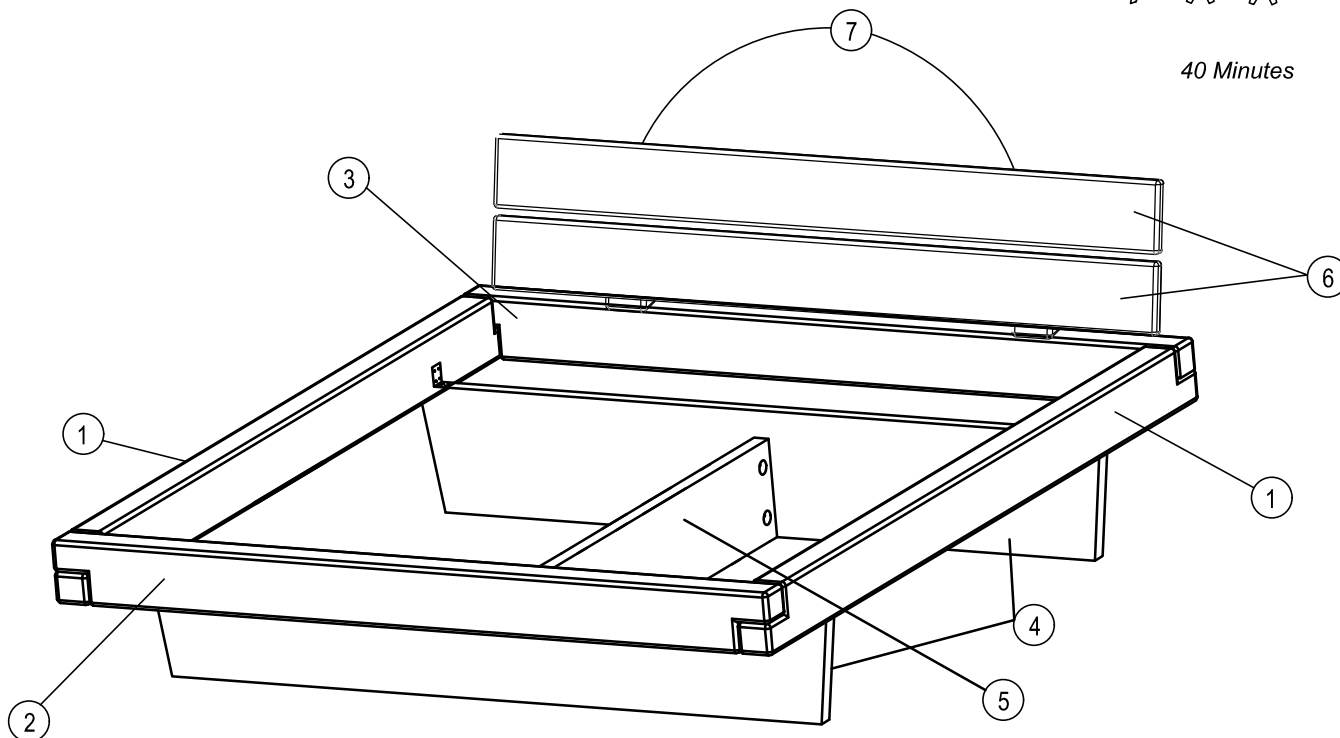


# MONTAGE ASSEMBLY INSTRUCTION

## BED BENNET

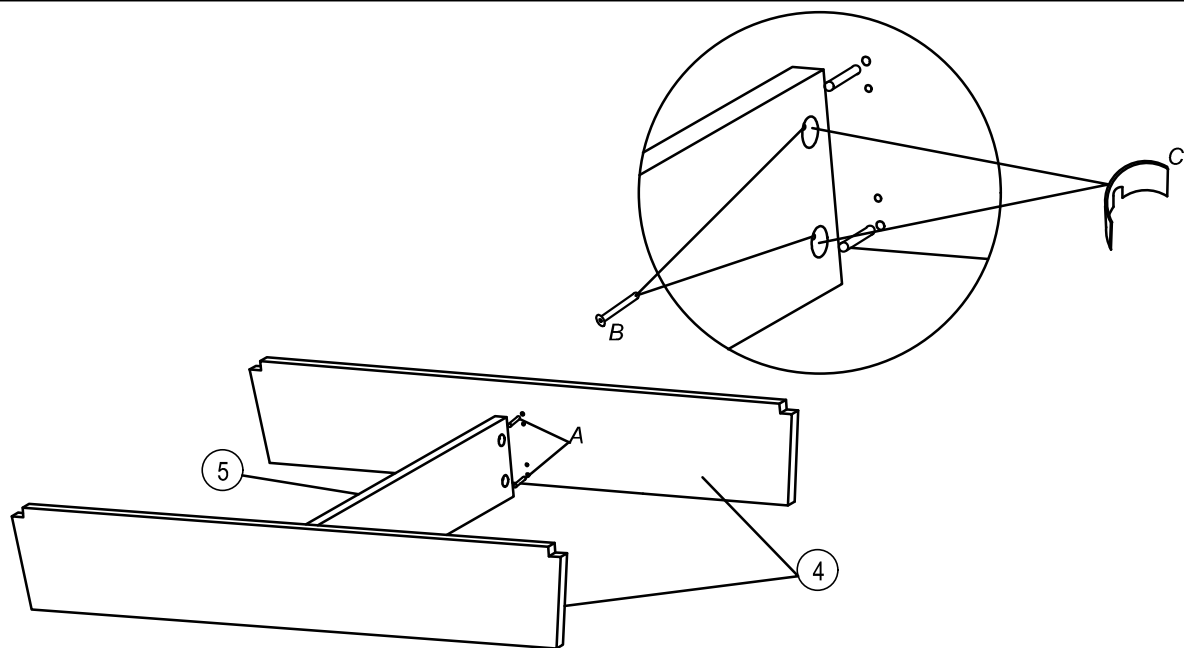





40 Minutes



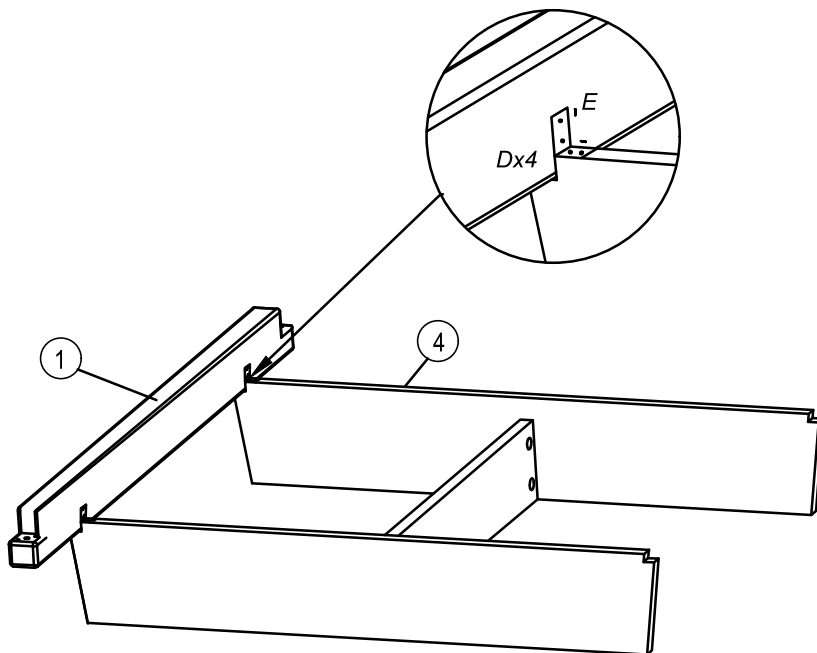
Ø10x50	M6x60		40x40x30	Ø3,5x30	ø12x100	35x35x90	ø6x120	SW4
Ax4	Bx16	Cx4	Dx4	Ex56	Fx4	Gx4	Hx8	x1



1



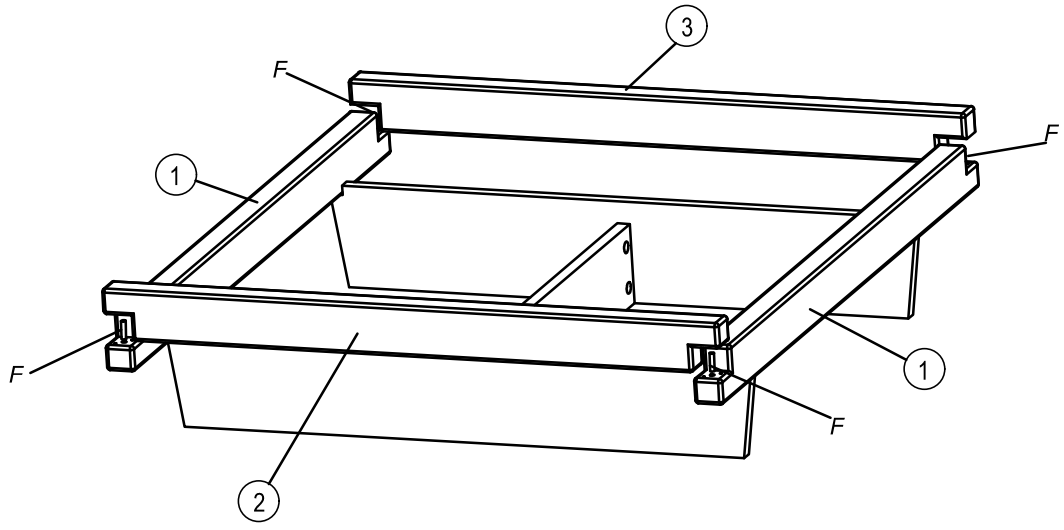
$\text{Ø}10 \times 50$	M6x60	
		
Ax4	Bx4	Cx4

2



40x40x30	$\text{Ø}3,5 \times 30$
	
Dx4	Ex32

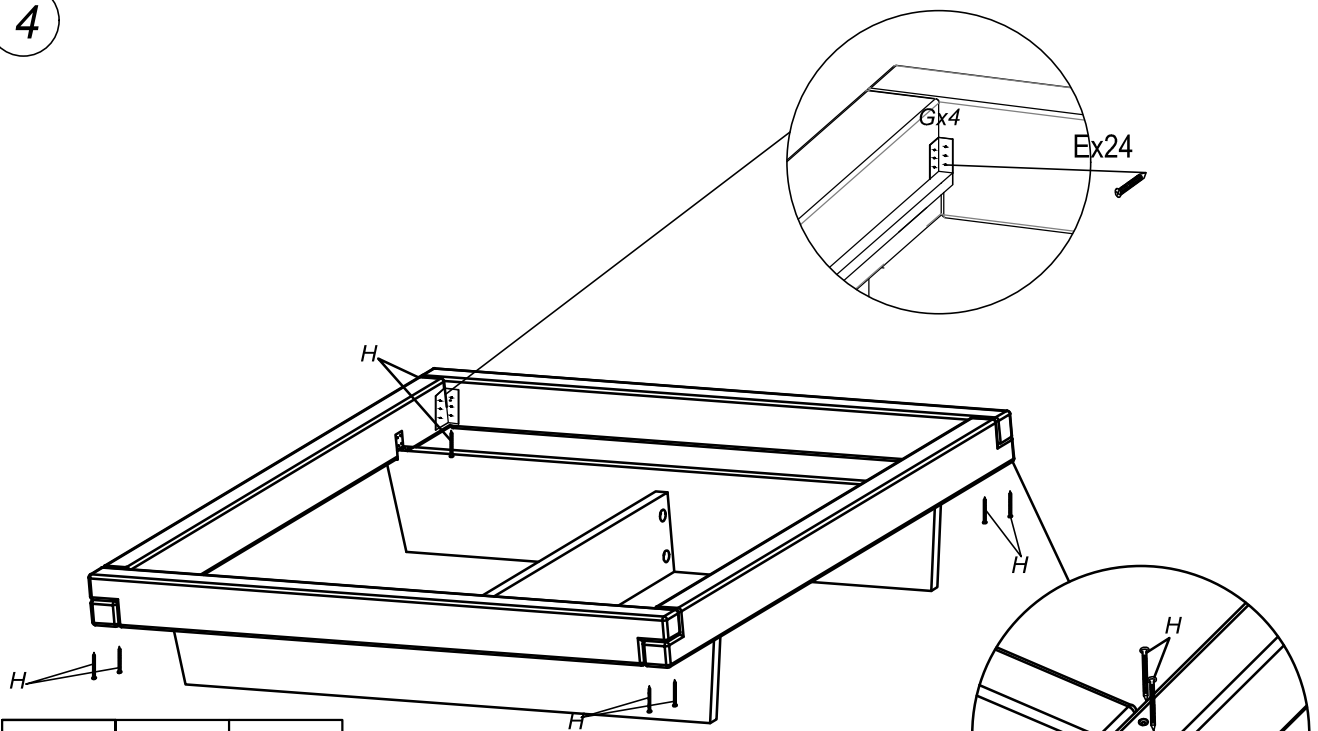
3



Ø12x100

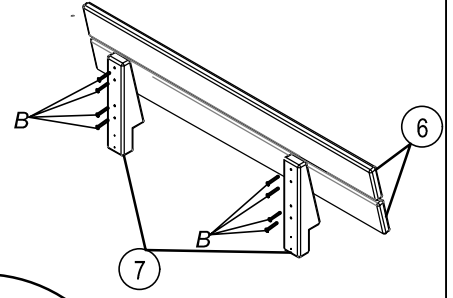
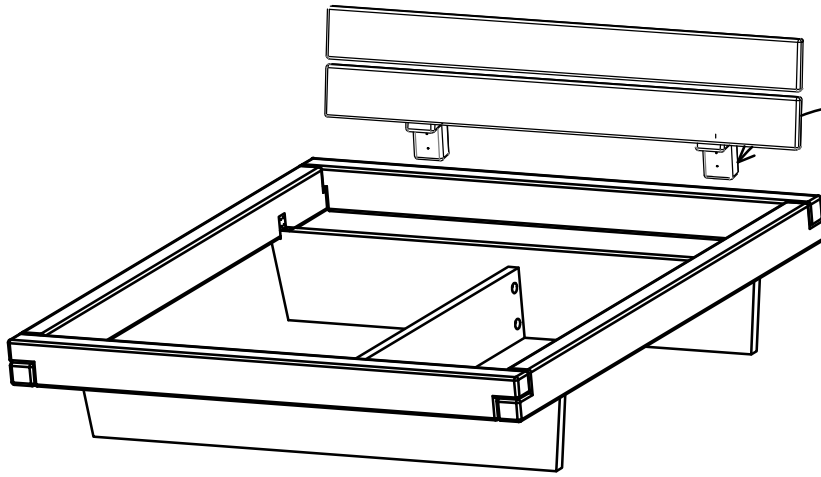
Fx4

4



35x35x90	Ø3,5x30	Ø6x120
Gx4	Ex24	Hx8

5



M6x60



Bx12

6

