
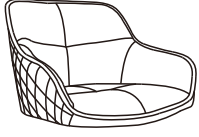








Assembly Instructions/ Navodila za montažo/ Montageanleitungen

SHERLOCKBAR

	<p>A</p>  <p>X1</p>	<p>B</p>  <p>X4</p>	<p>C</p>  <p>X1</p>	<p>D</p>  <p>M6X18MM X12</p>
	<p>E</p>  <p>M6X30MM X4</p>	<p>F</p>  <p>X1</p>		

