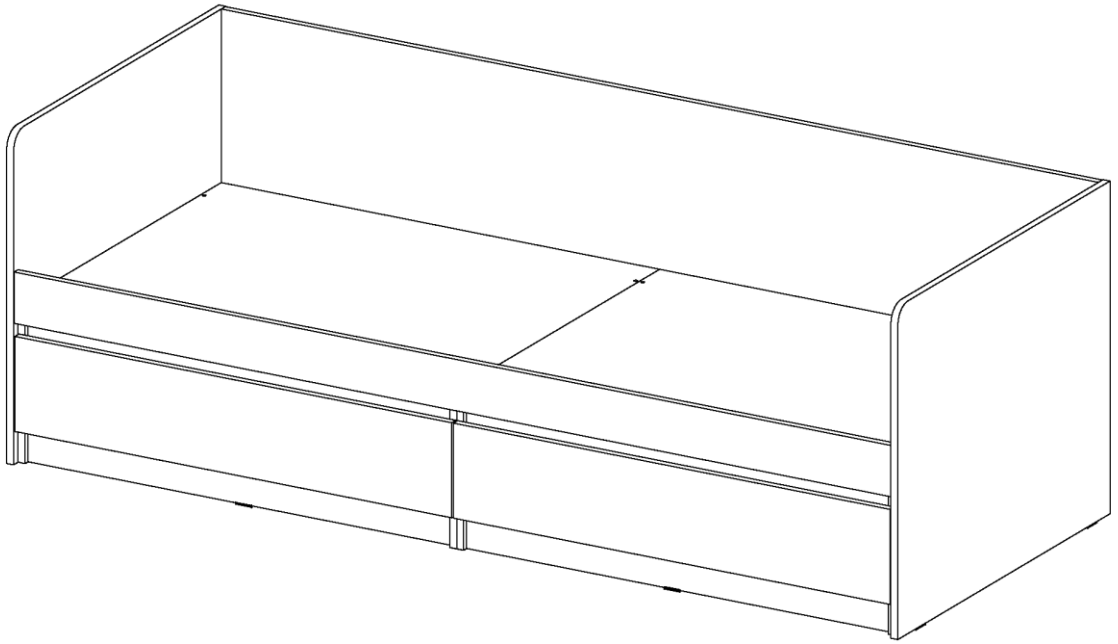


2036×700×840 (WxHxD)
(bedsite 2000x800)

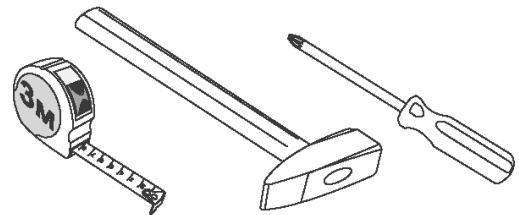


Part picking list












Package No.	Name	Size (mm)		Q`ty (pcs)	No. pursuant to the diagram
		Length	Width		
No. 1	Drawer facade	200	998	2	2
	Splint	108	2004	1	4
	Plinth	970	70	4	7
	Drawer rear wall	912	150	2	9
	Right shield	700	840	1	11
	Shield left	700	840	1	12
	Splint	970	60	2	13
	Shield	2004	700	1	14
No. 2	Drawer bottom (laminated wallboard)	926	498	2	1
	Drawer left sidewall	500	150	2	5
	Flooring	1002	804	2	6
	Drawer right sidewall	500	150	2	8
	Sidewall	804	319	4	10
No. 3	Furniture fittings			1	

It is a good practice to engage a specialist for assembling since incorrect assembly can result in undesirable consequences. The instructions will provide you the necessary recommendations related to the assembly procedure. Prior to start the assembly procedure, carefully read the instructions, check the fittings completeness and lay down for its intended purpose.

The tool necessary for the assembly procedure



* the tool for drilling holes with a diameter of 5-6 mm shall be required as well.

Drywall screw  32 pcs.	Drywall screw plug  32 pcs.	Drywall screw allen wrench  1 pcs.	Eccentric strap  18 kits	Eccentric plug  18 pcs.	Furniture glide  16 pcs.	Nail  40 pcs.
4x16 screw  20 pcs.	Roller guiding 500  2 kits	4x30 screw  6 pcs.	Cross-section strap  3 pcs.			

Module assembly diagram: Bed

diagram No. 1

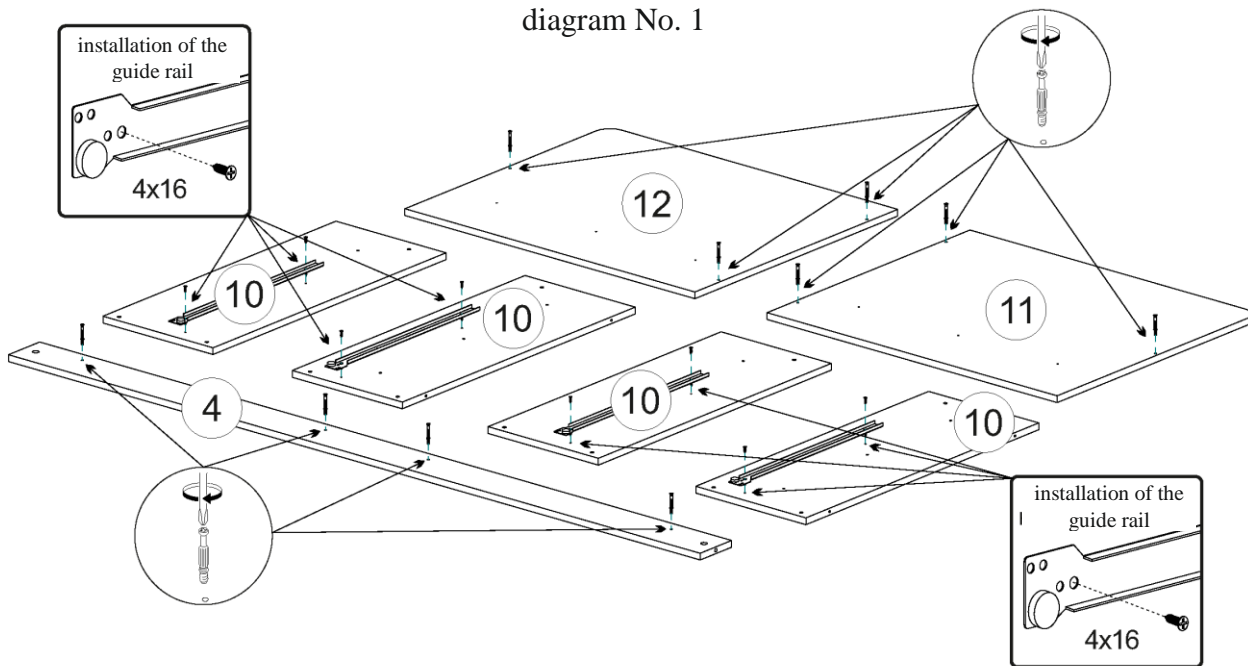


diagram No. 2

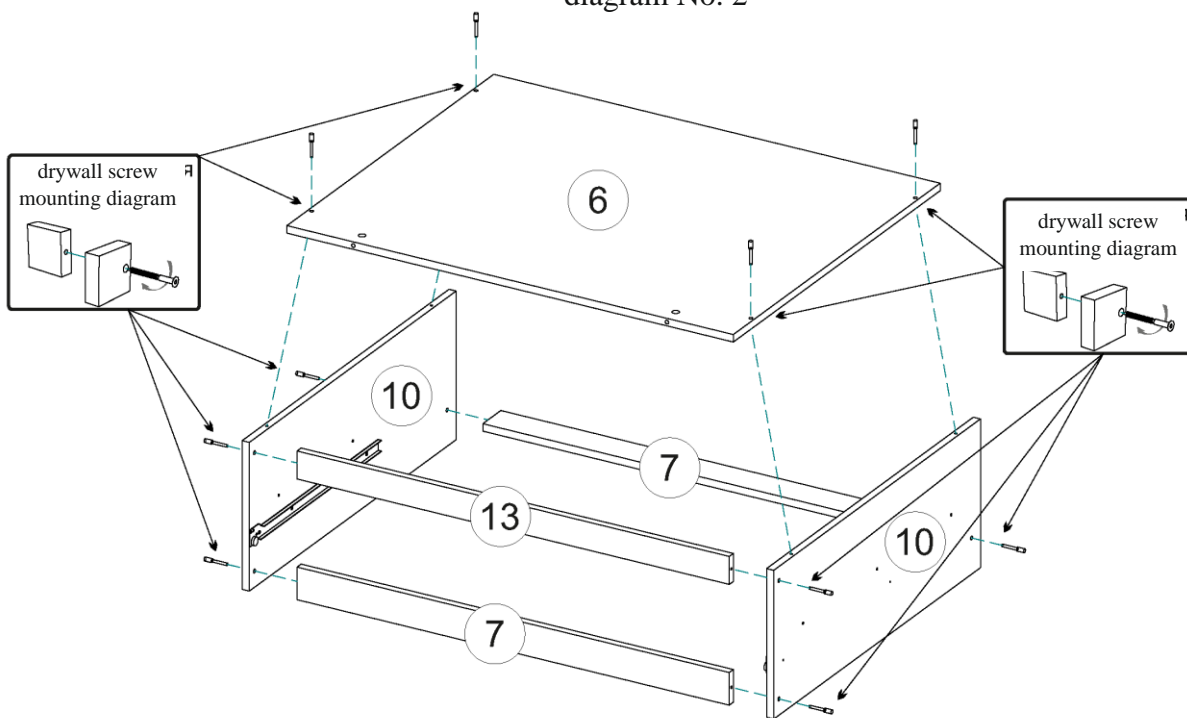


diagram No. 3

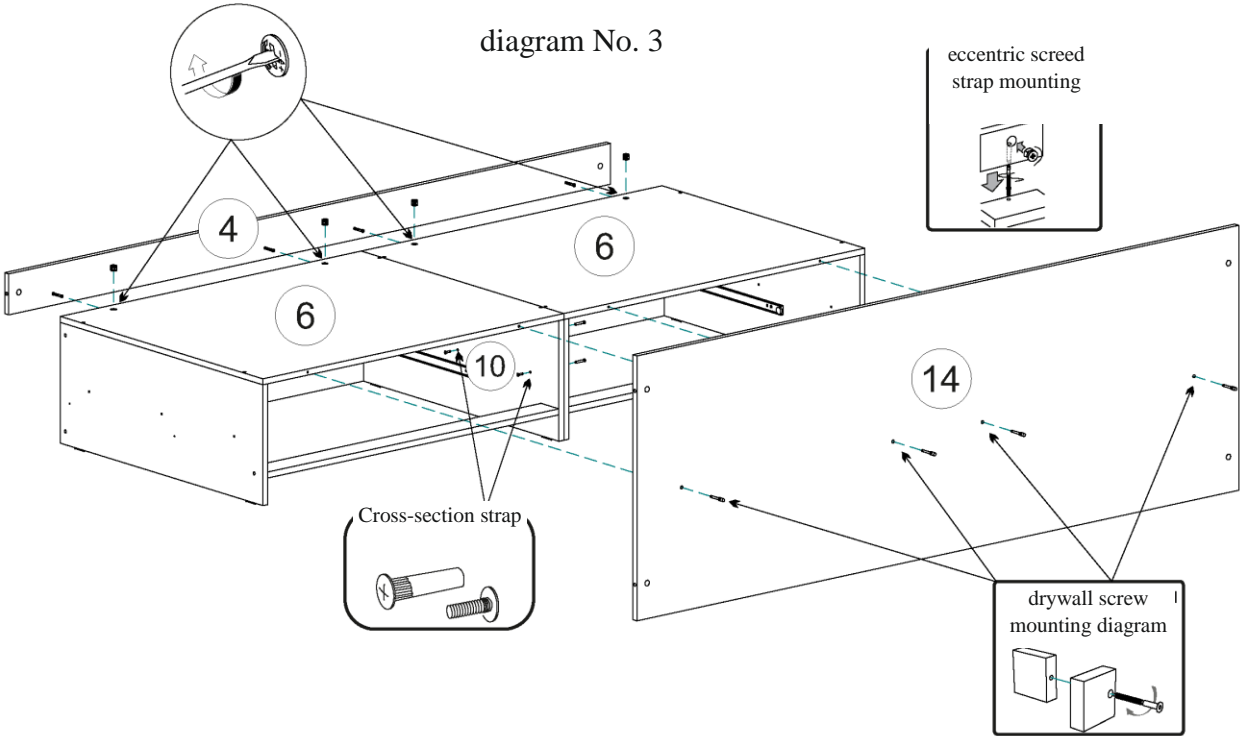


diagram No. 4

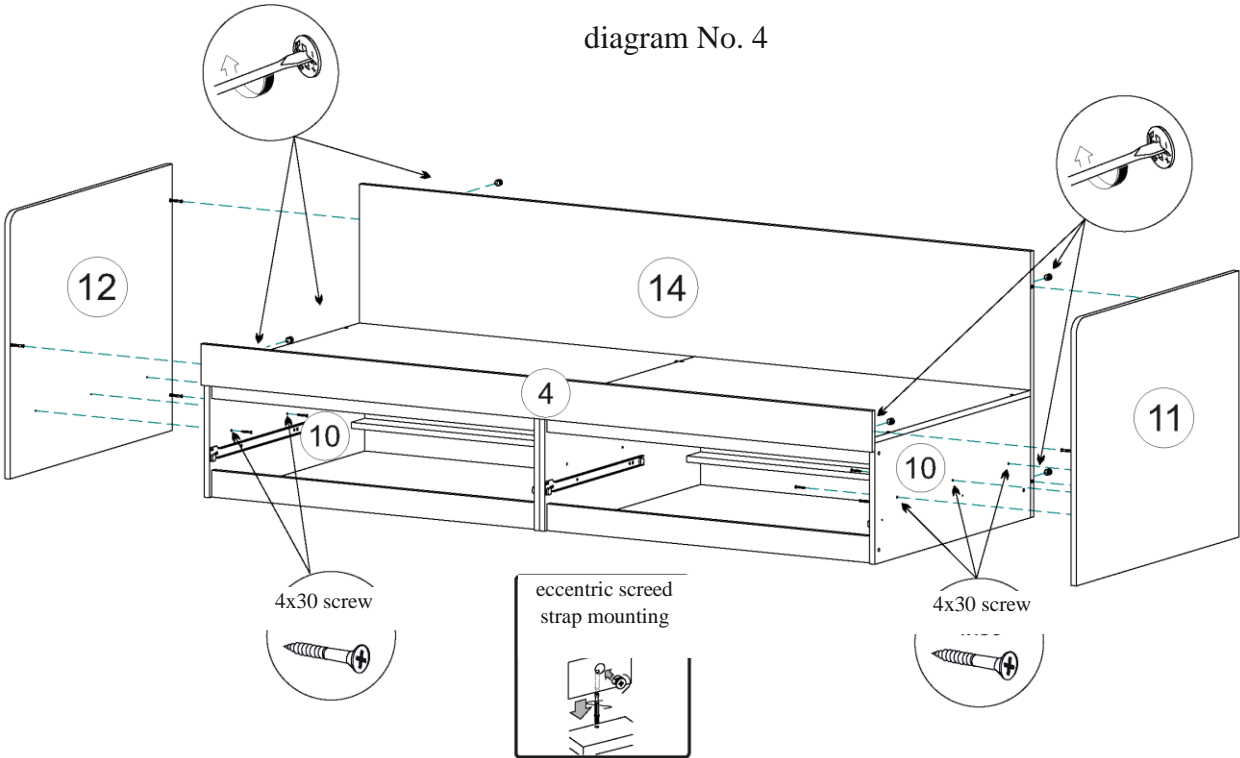


diagram No. 5

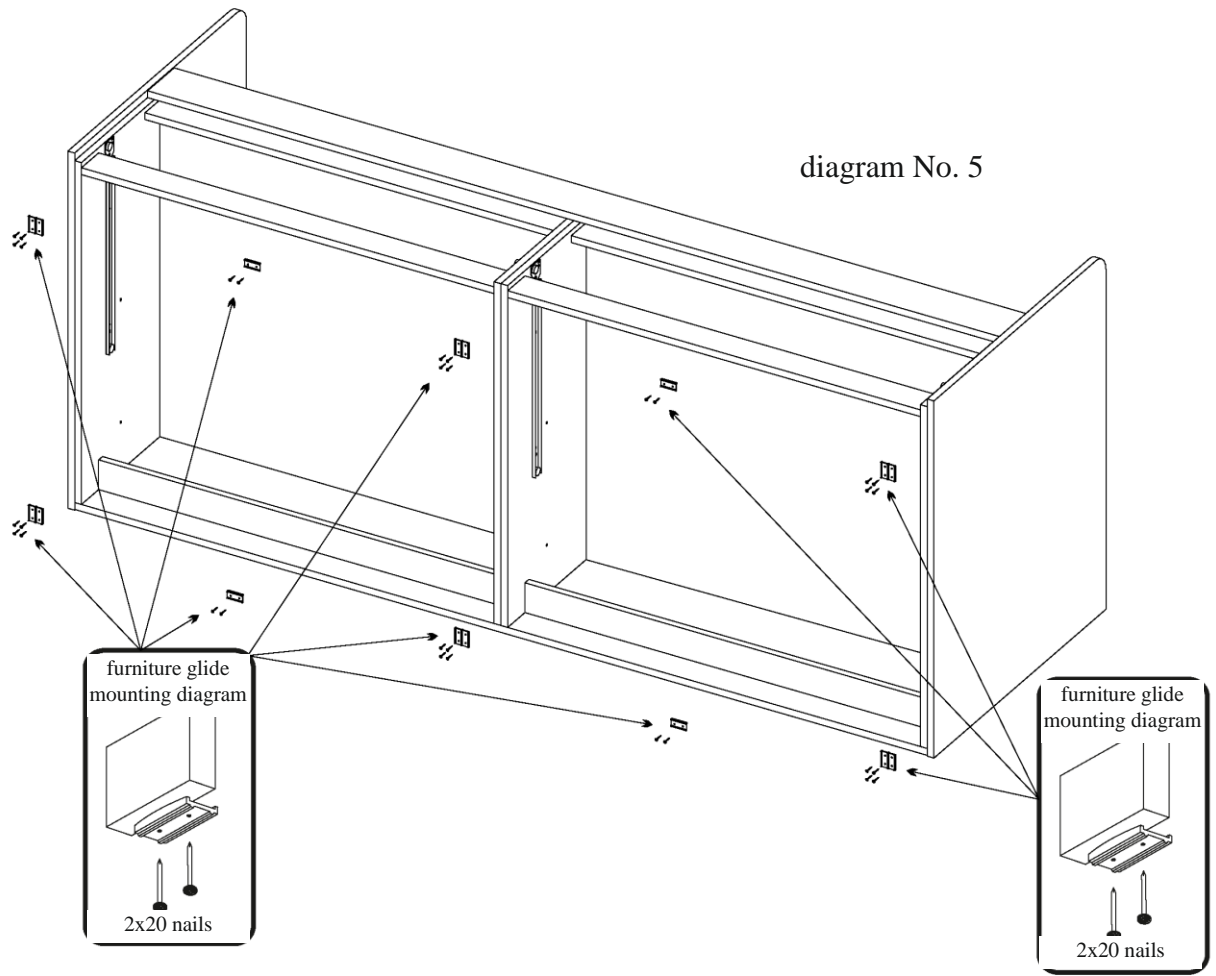
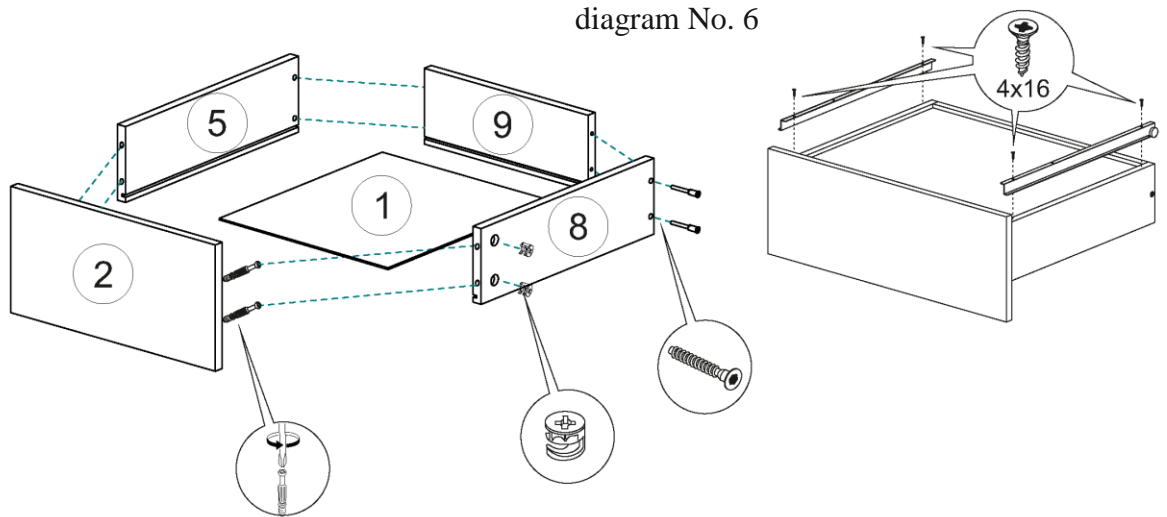


diagram No. 6



Comply with GOST 16371-93 TR CU 025/2012 TC RU C-RU.AM24.B.01044.	Date of manufacture: 20 ____. Warranty period – 24 months. The service life of the product is 10 years. Material: laminated chipboard