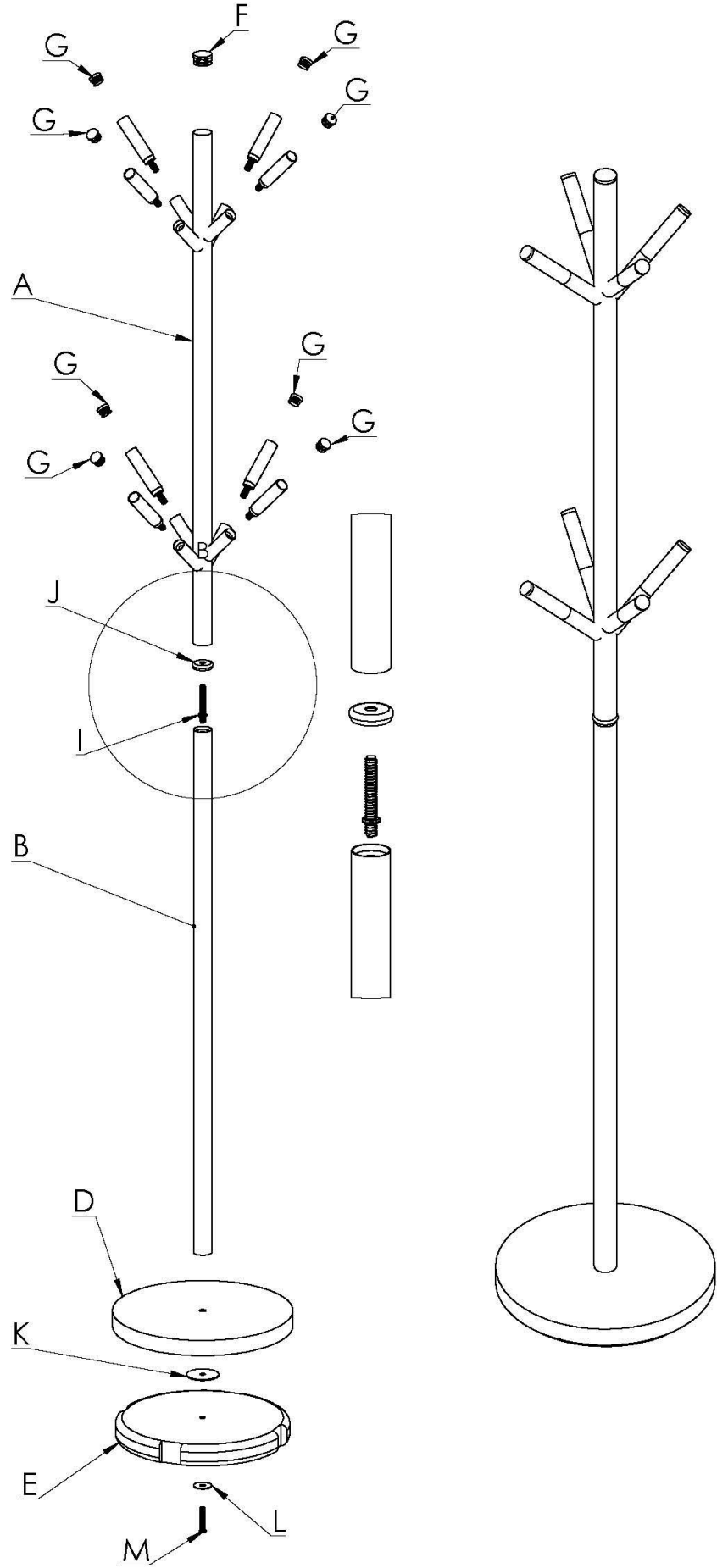
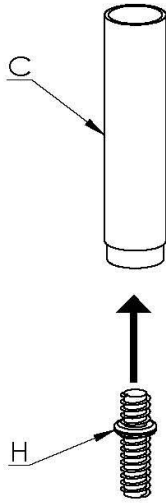


FENIX

Assembly Instructions / Navodila za montažo / Montageanleitungen



| | | |
|----------|--|------------|
| A | | x 1 |
| B | | x 1 |
| C | | x 8 |
| D | | x 1 |
| E | | x 1 |

| | | |
|----------|--|------------|
| F | | x 1 |
| G | | x 8 |
| H | | x 8 |
| I | | x 1 |
| J | | x 1 |
| K | | x 1 |
| L | | x 1 |
| M | | x 1 |
| N | | x 1 |