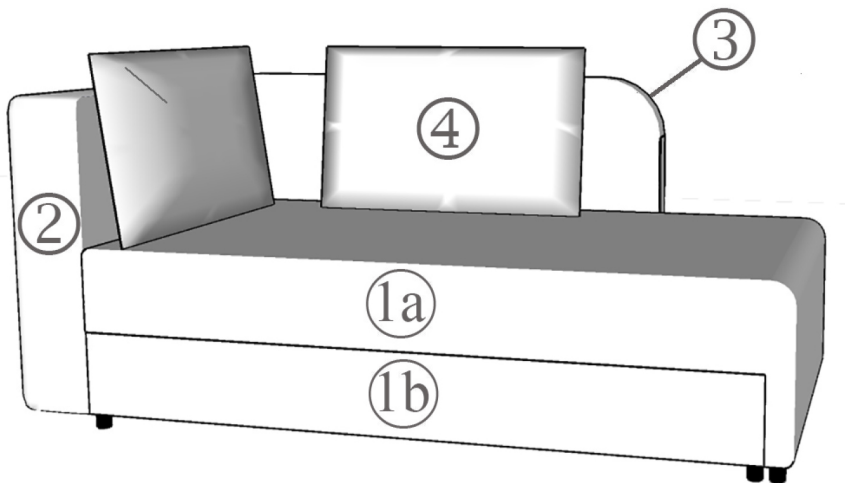


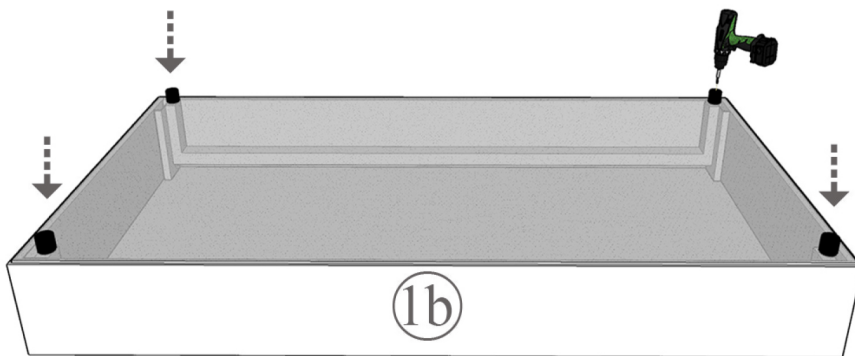
Assembly instruction - Sofa Sanita



- 1a. Seat
- 1b. Bed linen box
- 2. Small backrest
- 3. Large backrest
- 4. Decorative pillows x 2

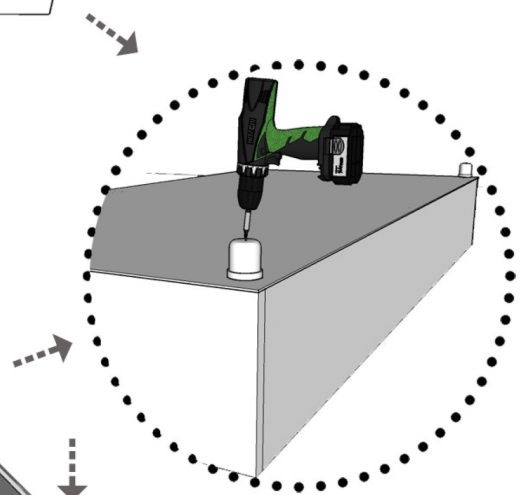
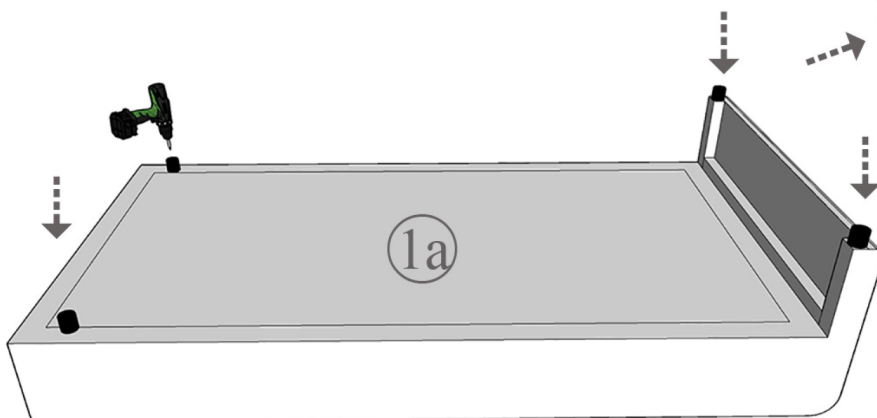
Step 1.

Put bed linen box 1b with it's floor up and position six plastic legs where holes are. Connect legs with floor using screws. When the legs are mounted, turn box 1b so that it stands on plastic legs.



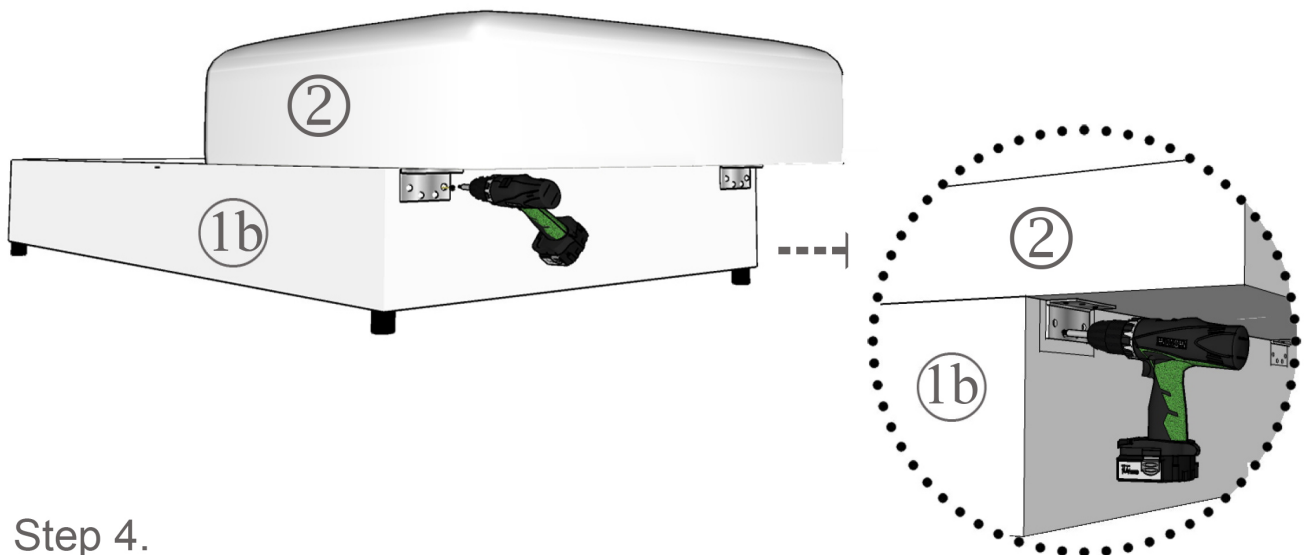
Step 2.

Put seat 1a with it's floor up and position four plastic legs where holes are. Connect legs with foundation using screws.



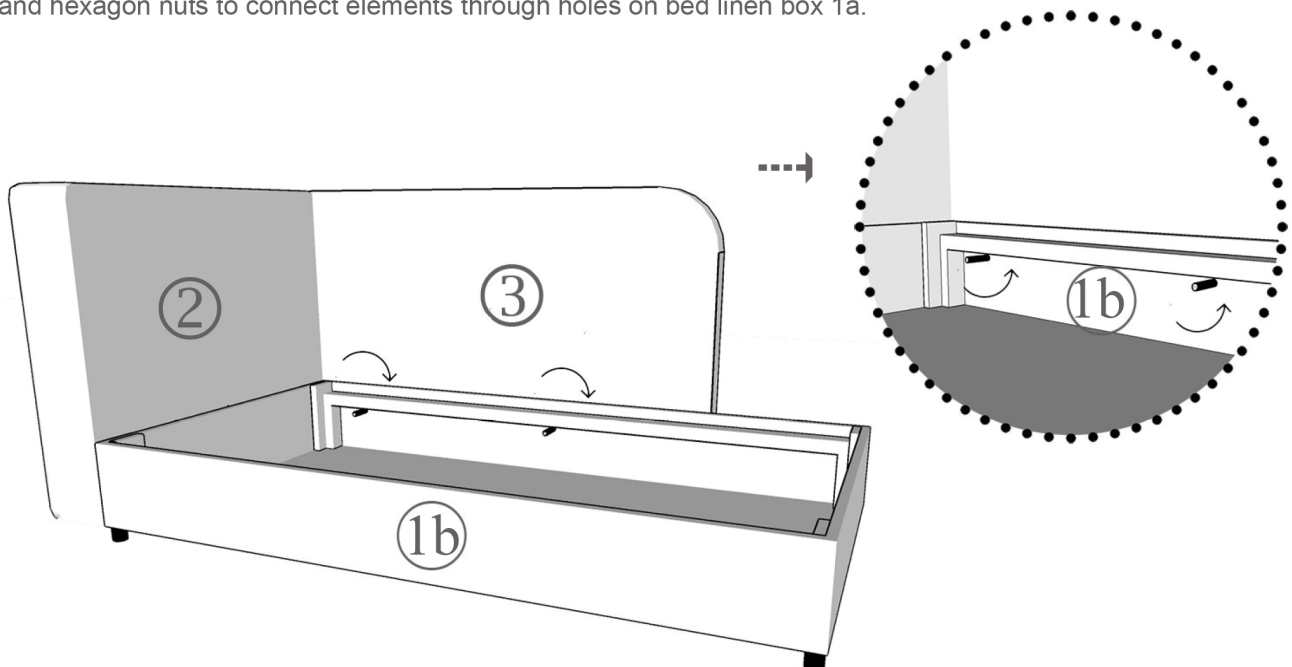
Step 3.

Put small backrest 2 horizontally over bed linen box 1b. Position hinges in place where labels are. Connect backrest and bed linen box by screwing through the holes on hinges.



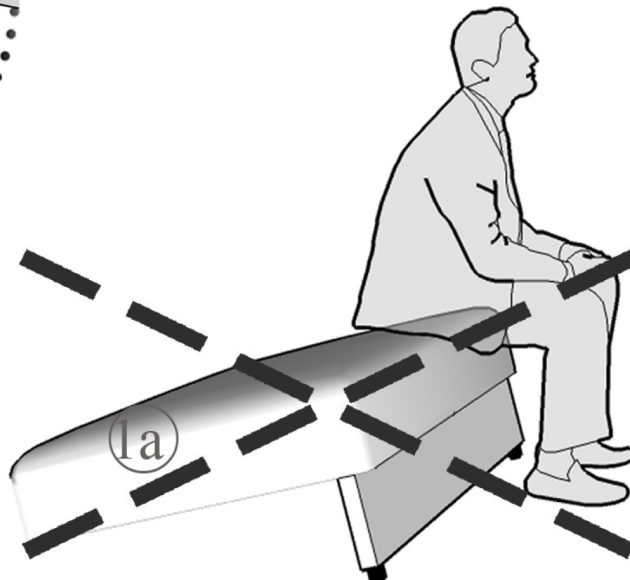
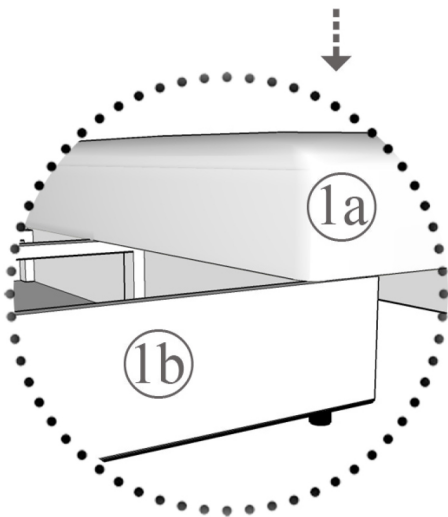
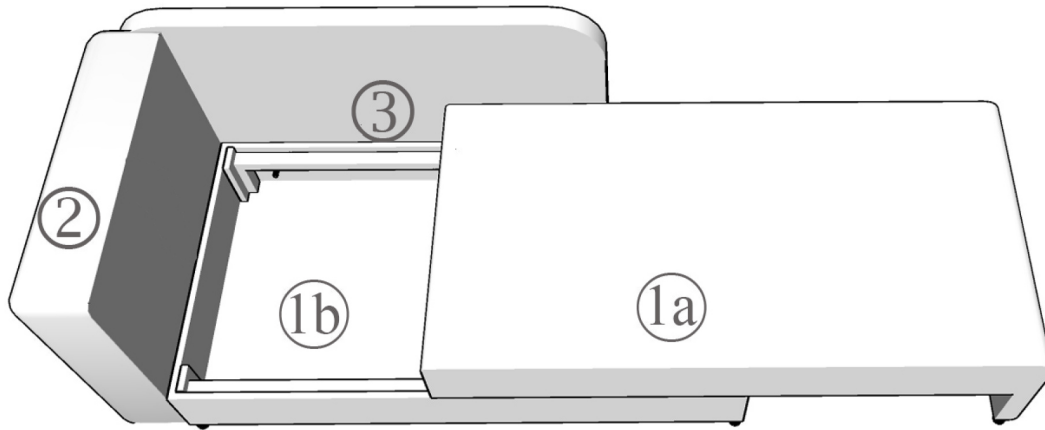
Step 4.

Put large backrest 3 parallel with longitudinal side of bed linen box 1b. Connect backrest 3 to bed linen box. Use carriage bolts, flat washer and hexagon nuts to connect elements through holes on bed linen box 1a.



Step 5.

Put backrest in vertical position and put seat 1a over bed linen box. Plastic legs on bottom of the seat should be placed on lateral timber planks in bed linen box 1b.



Warning !!!

Do not seat or put any pressure on sitting element while it's not positioned on bed linen box.