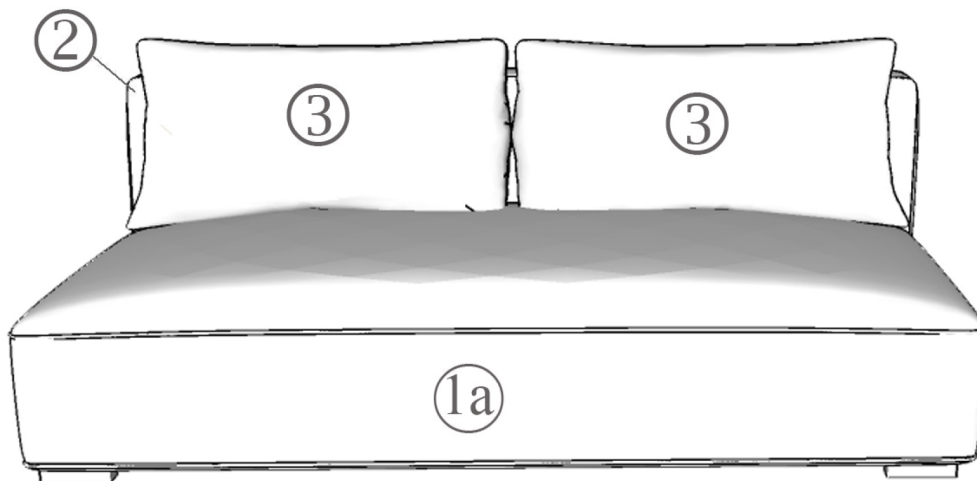


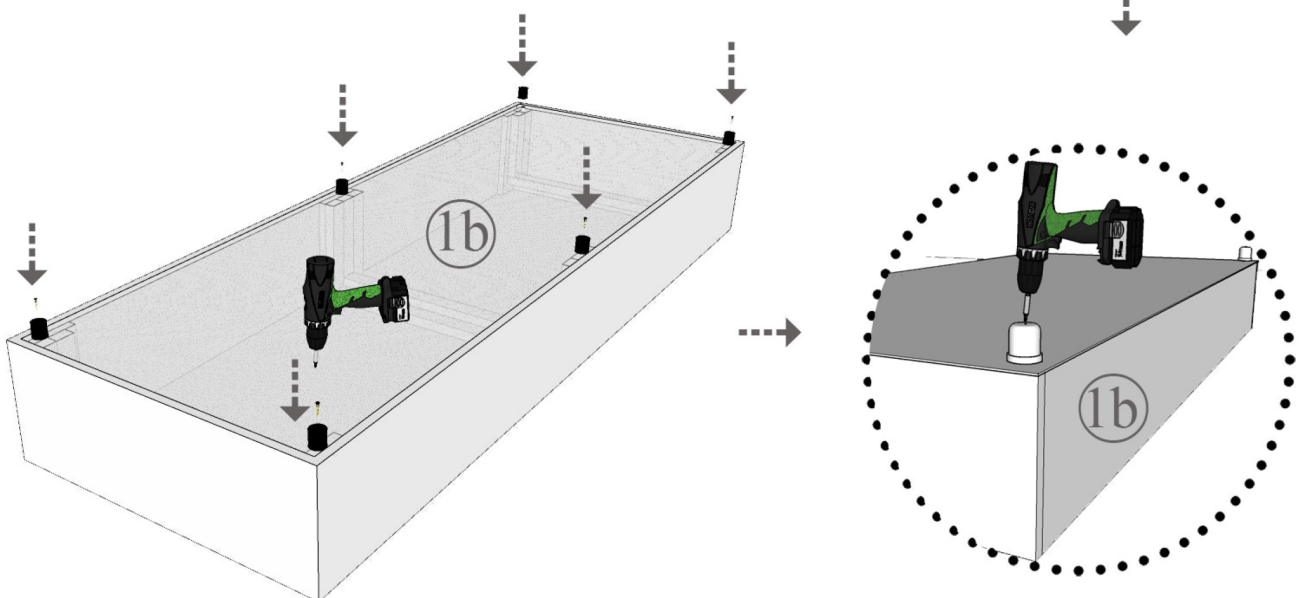
# Assembly instruction - Sofa Mana



- 1a. Seat
- 1b. Bed linen box
- 2. Backrest
- 3. Large pillow x 2

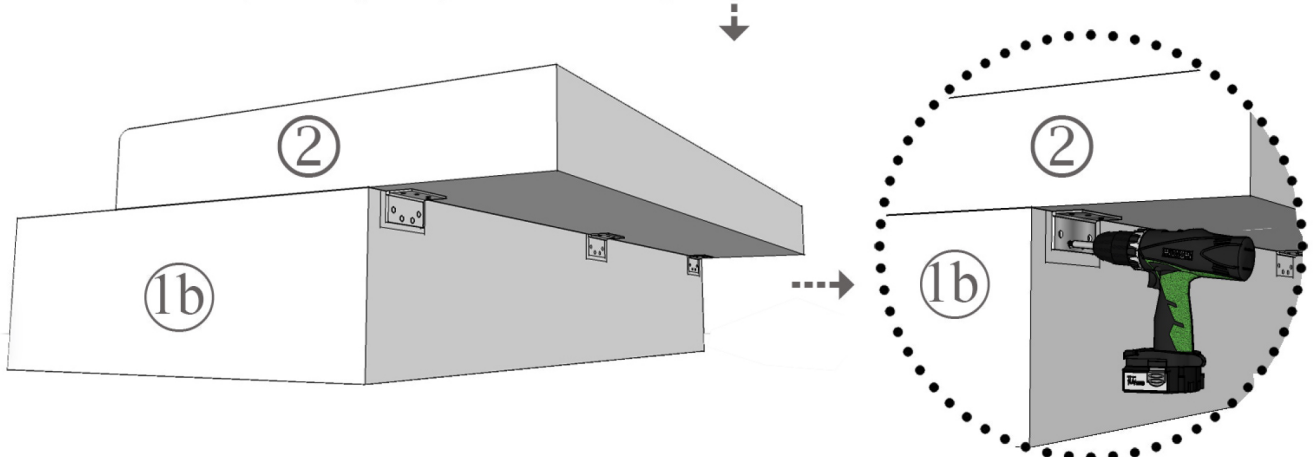
## Step 1.

Put bed linen box 1b with it's floor up and position six plastic legs where holęs are. Connect legs with floor.using screws. When the legs are mounted, turn box 1b so that it stands on plastic legs.



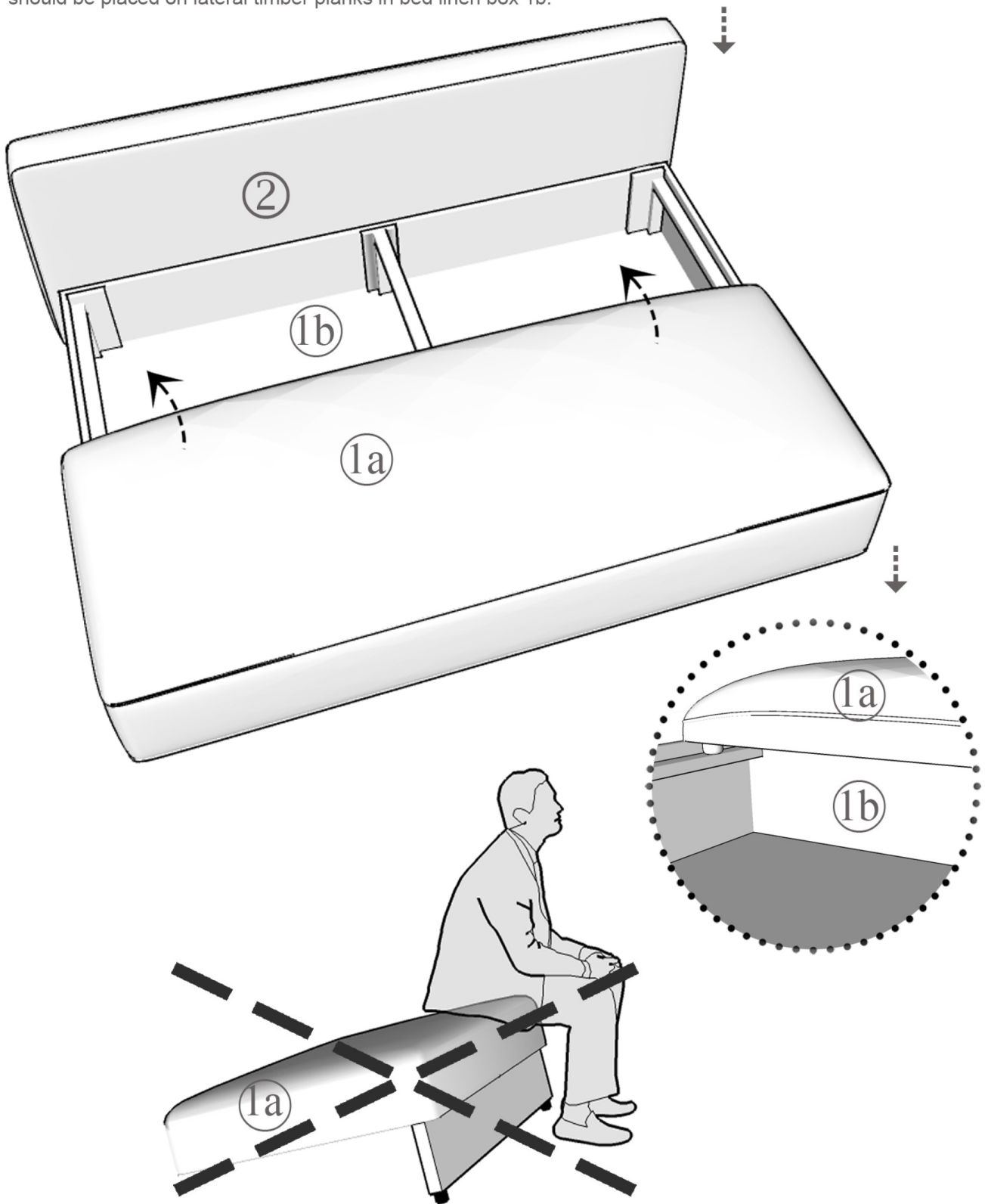
## Step 2.

Put backrest 2 horizontally over bed linen box 1b. Position hinges in place where labels are. Connect backrest 2 and bed linen box 1b by screwing through the holes on hinges.



### Step 3.

Put backrest 2 in vertical position and put seat 1a over bed linen box 1b. Plastic legs on bottom of the seat 1a should be placed on lateral timber planks in bed linen box 1b.



**Warning !!!**

Do not seat or put any pressure on sitting element while it's not positioned on bed linen box.