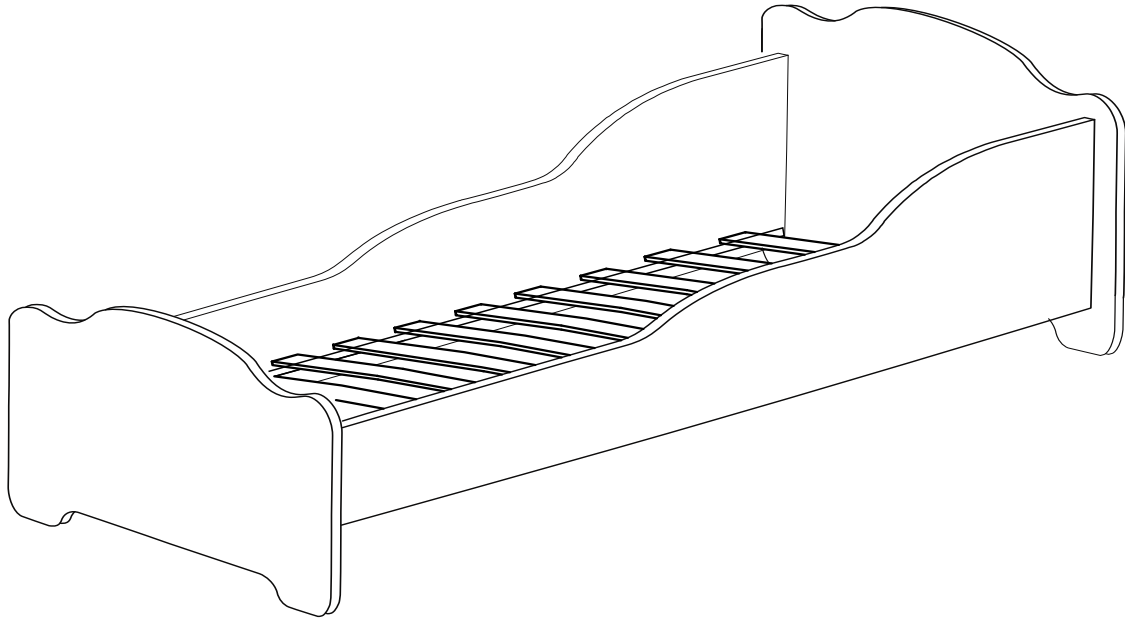
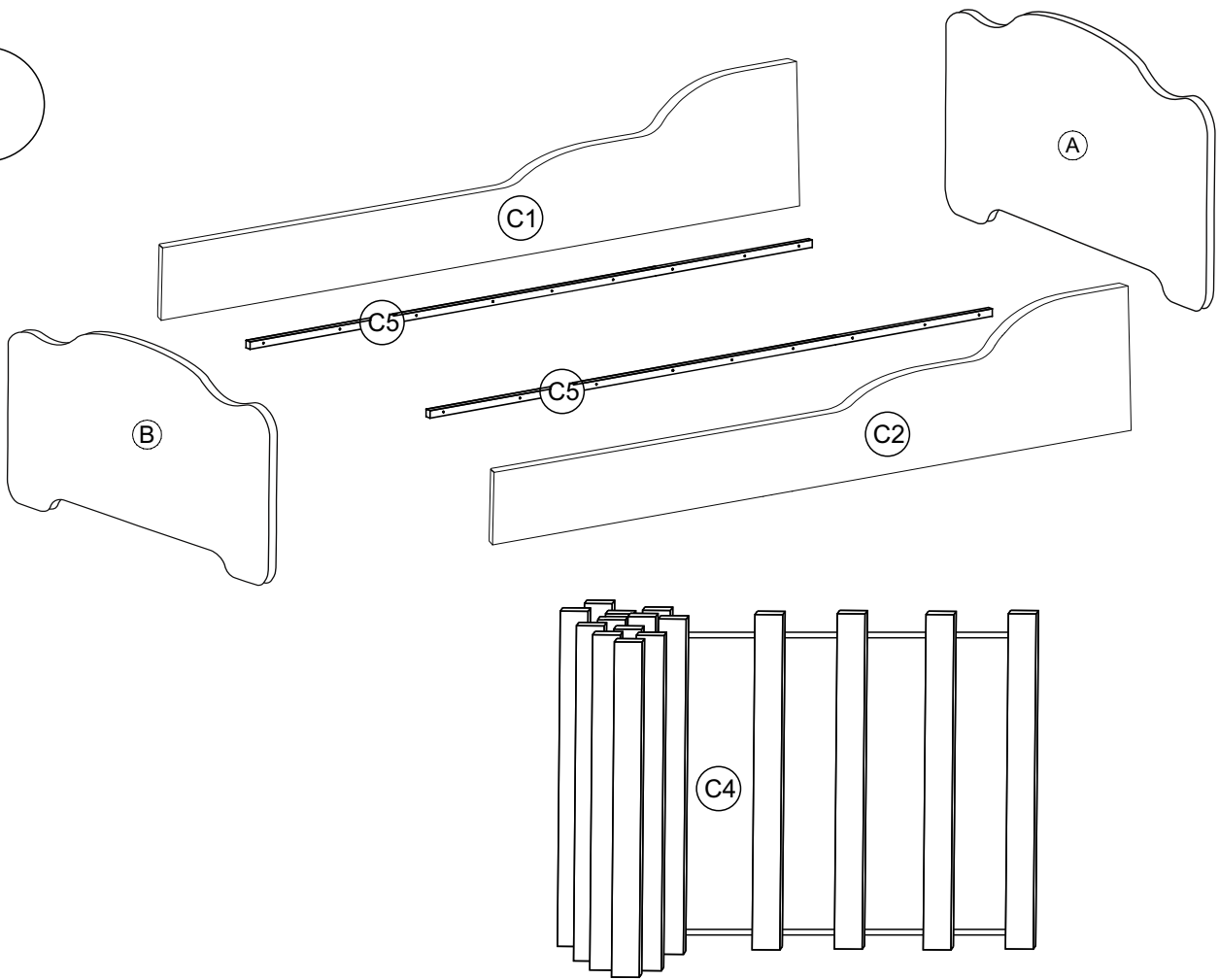


1

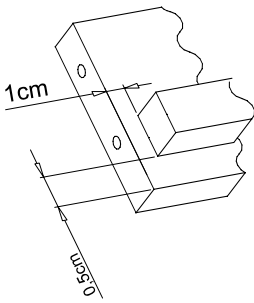



| | | |
|-----------|---|----|
| S1 |  | 10 |
| S2 |  | 10 |
| S3 3,5x20 |  | 6 |
| S4 |  | 1 |
| S5 4,0x30 |  | 18 |
| S6 |  | 4 |
| S7 |  | |

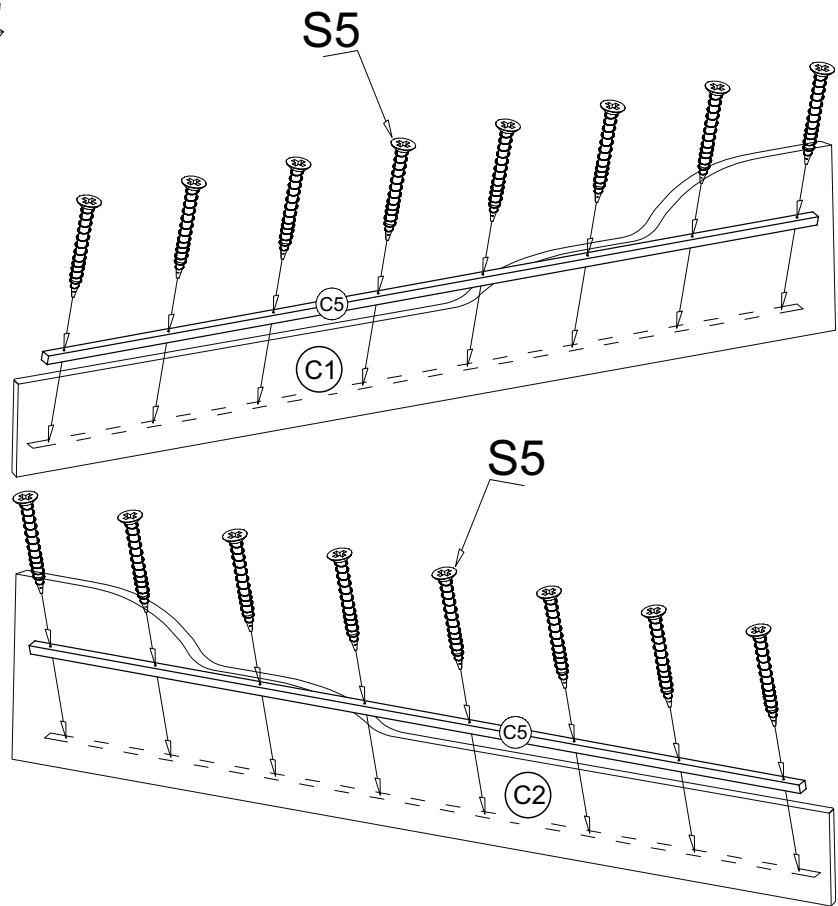
2



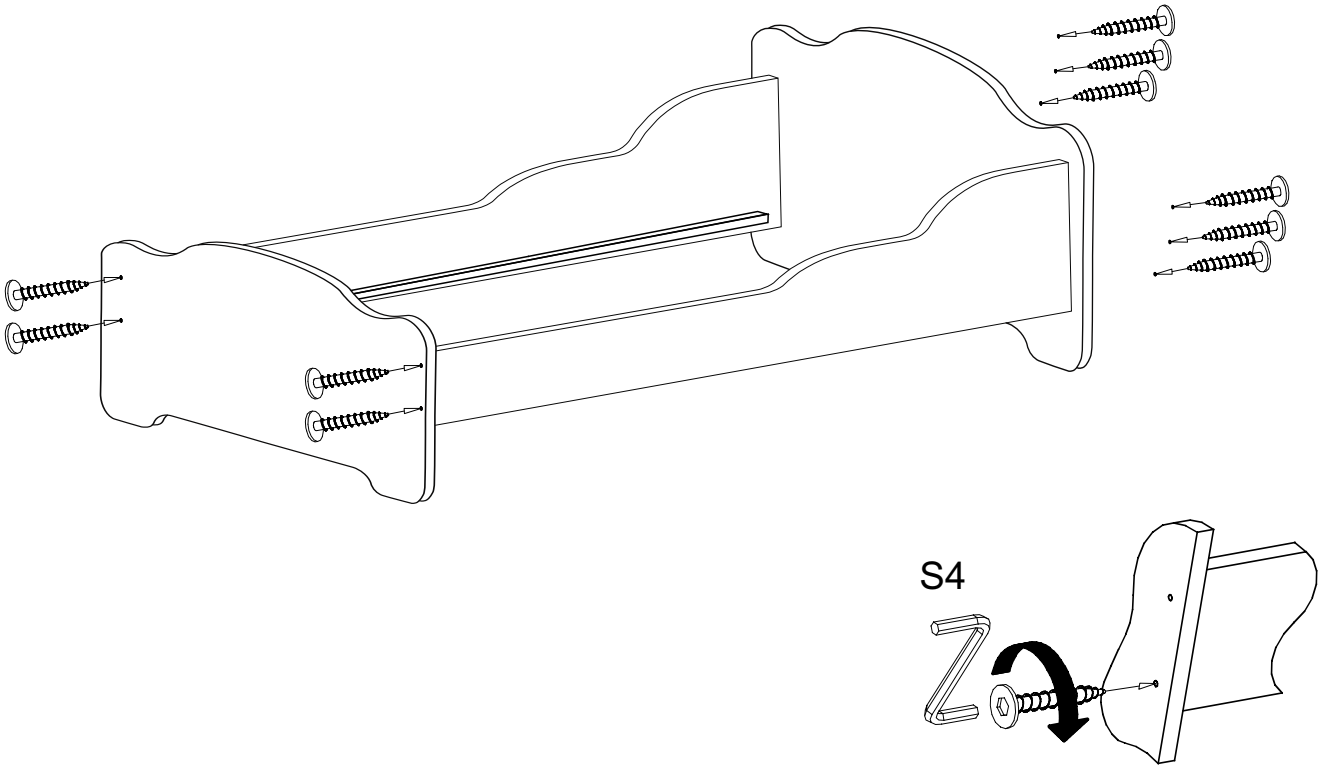
3



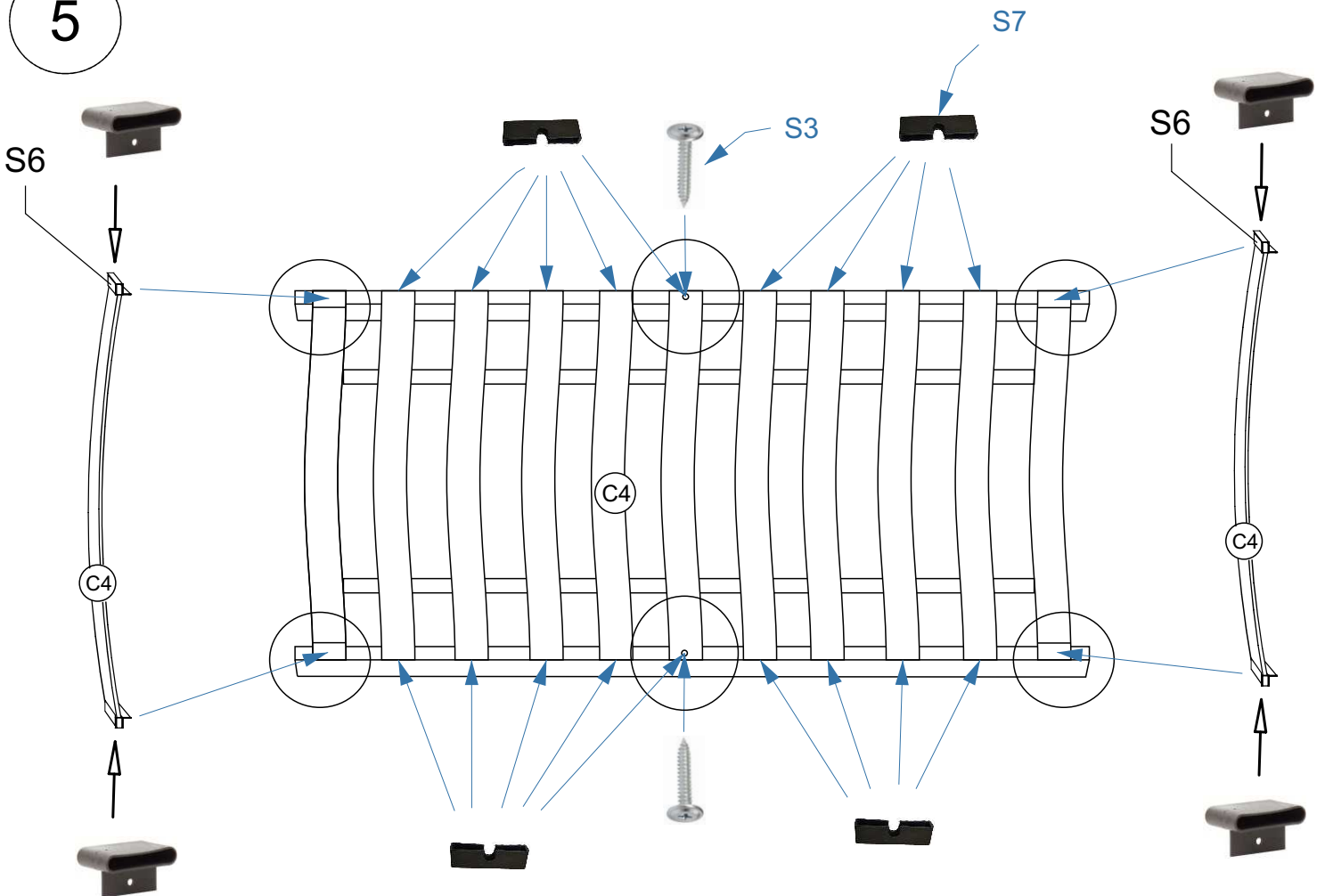
S5 
4,0x30 x18



4

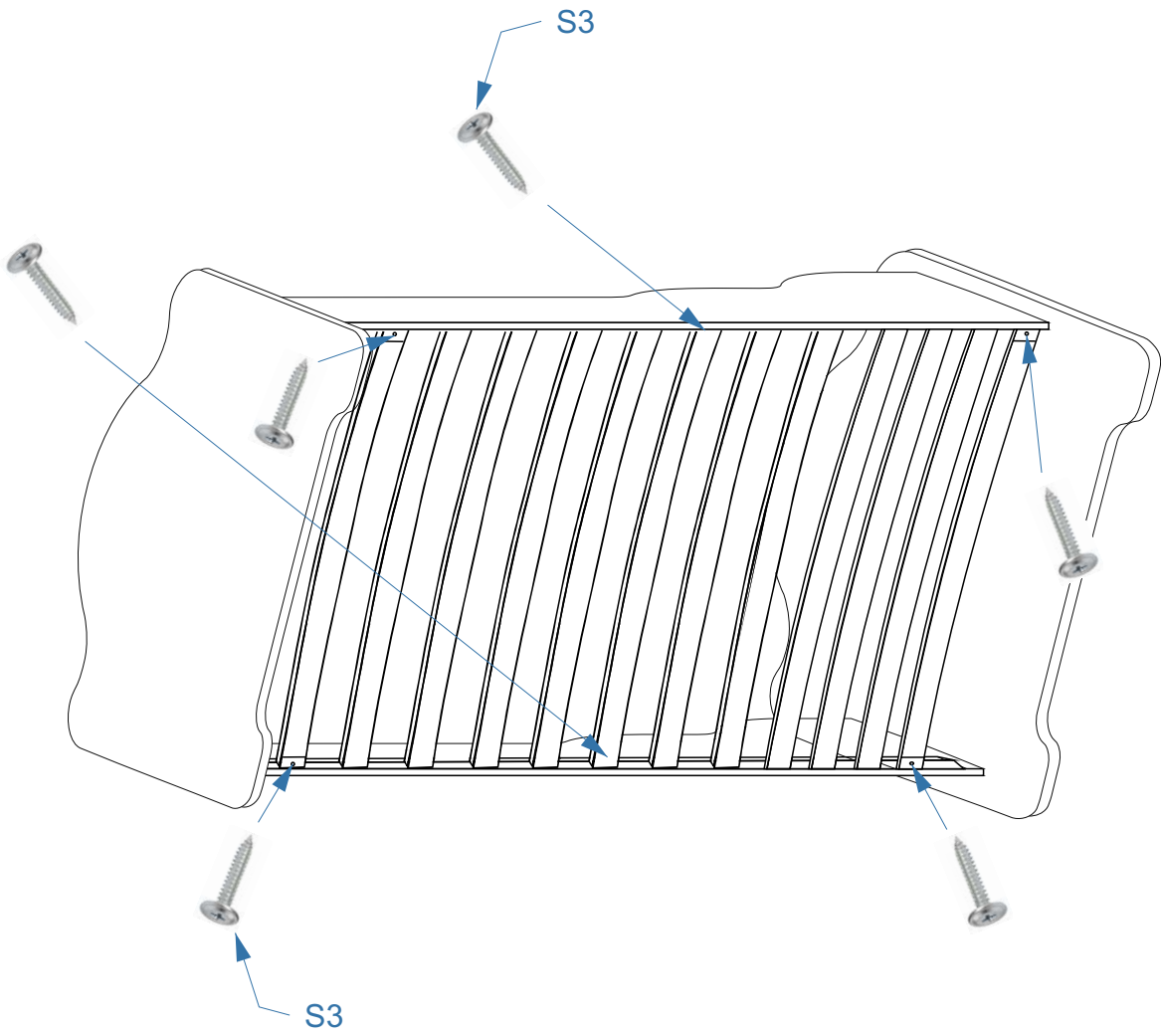


5













6

S3
3,5x20 x6



SZ/13

| | | |
|-----|--|-----|
| S1 |  | 8x |
| S2 |  | 8x |
| S3 | 3,5x20  | 24x |
| S4 |  | 1x |
| S5 |  | 2x |
| S6 | 3,5x40  | 2x |
| S7 |  | 1x |
| S8 |  | 6x |
| S9 |  | 4x |
| S10 |  | 1x |

