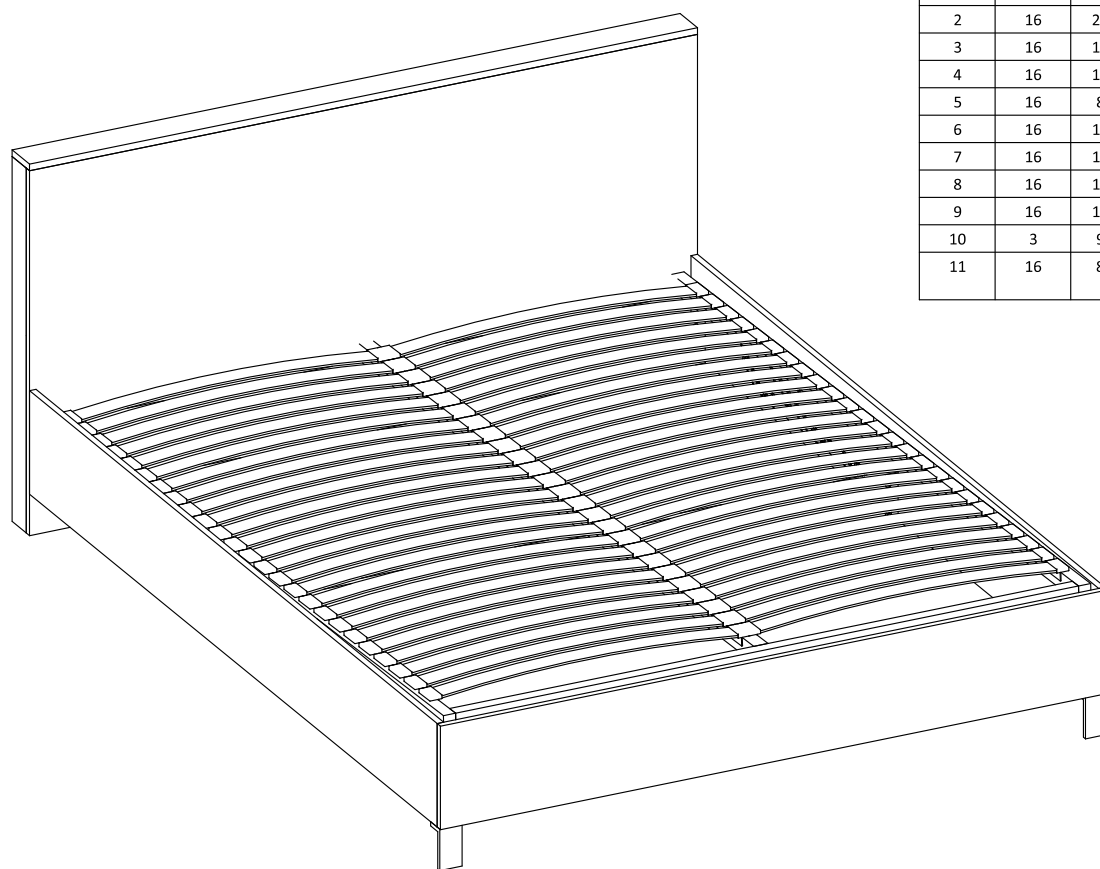
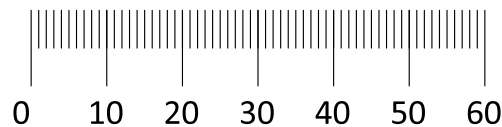
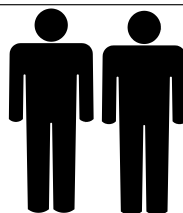
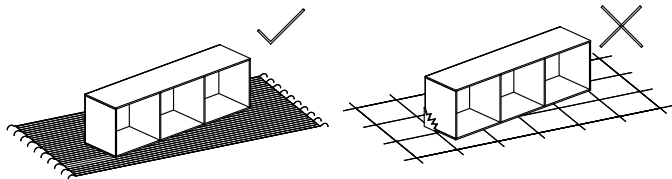
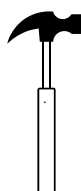


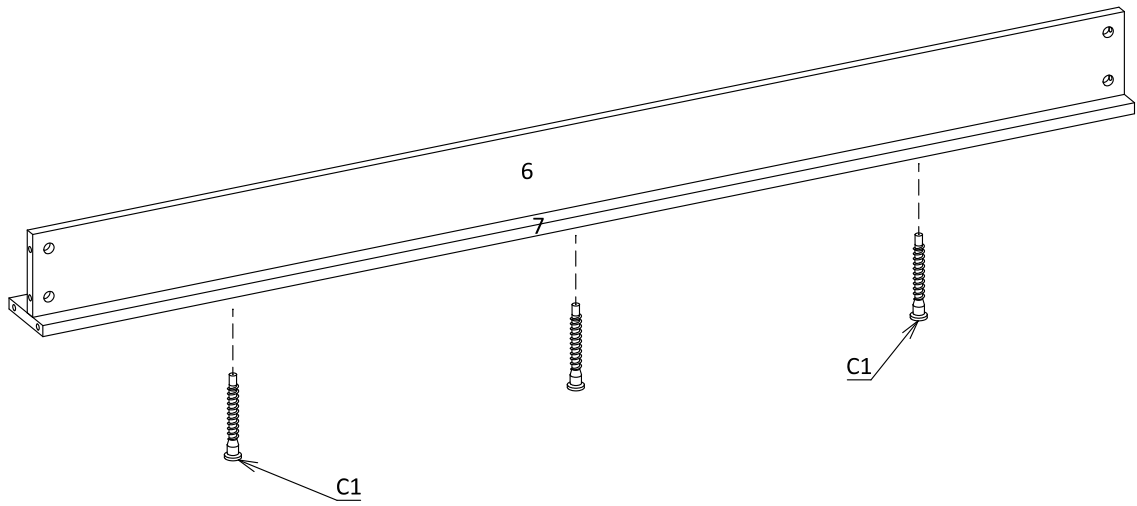
# BED MALEN



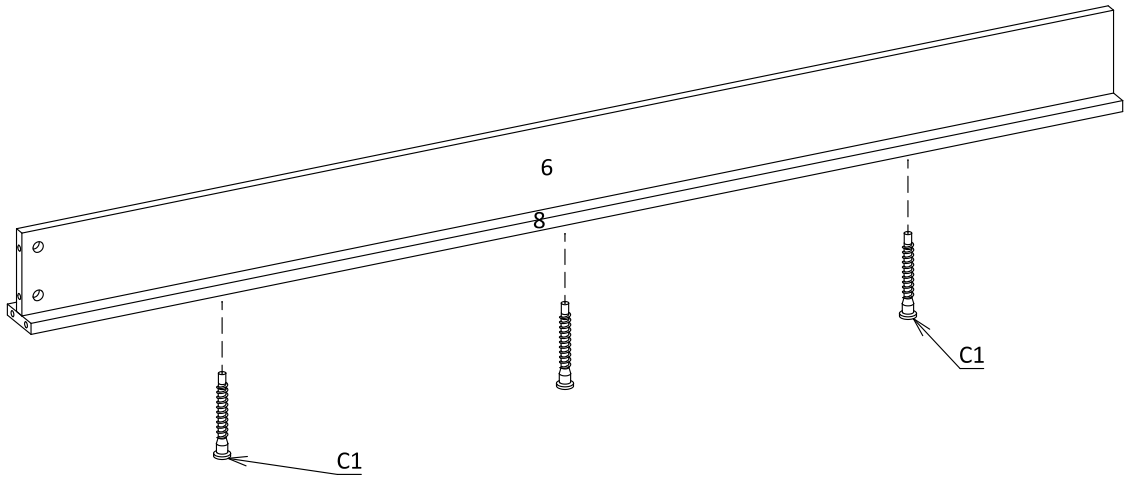
No	T(mm)	L(mm)	W(mm)	Stc.
1	16	1646	881	1
2	16	2010	250	2
3	16	1646	250	1
4	16	1646	90	1
5	16	881	70	4
6	16	1612	120	3
7	16	1612	100	1
8	16	1612	70	1
9	16	1612	140	1
10	3	903	806	4
11	16	850	100	2

<b>S3</b>  M6x25      8	<b>GL</b>  GLUE, LEIM LEPIDLO, LIM      3	<b>K2</b>  8 X 50      8			
<b>T2</b>  7	<b>T</b>  2	<b>D5</b>  4 X 30      2	<b>D3</b>  4 X 25      6	<b>N</b>  2	<b>Q</b>  8
<b>K1</b>  8 X 35      57	<b>M1</b>  16	<b>M2</b>  16	<b>I1</b>  12	<b>I1</b>  4	<b>C1</b>  16

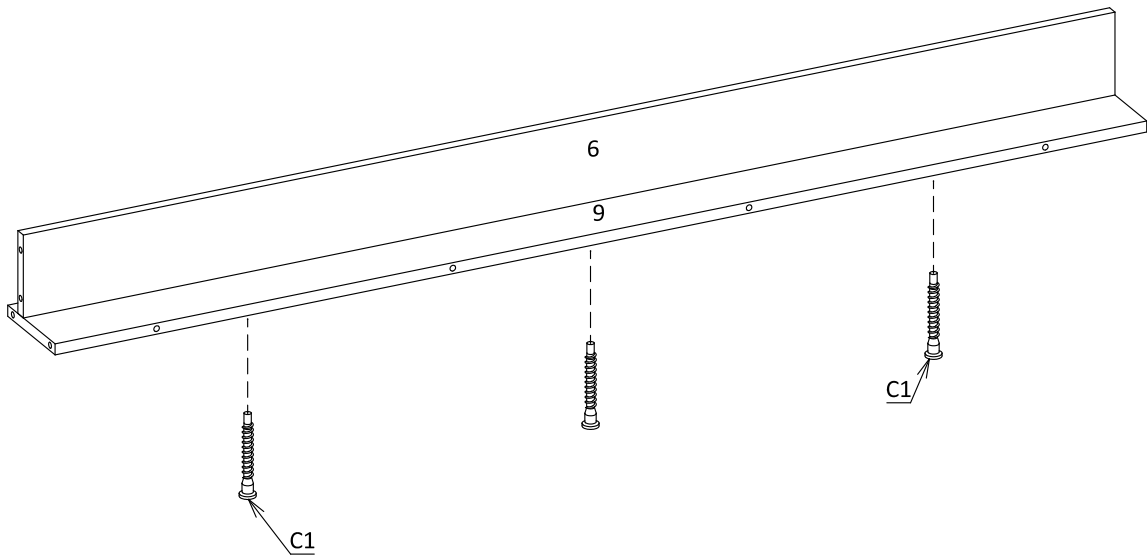
I



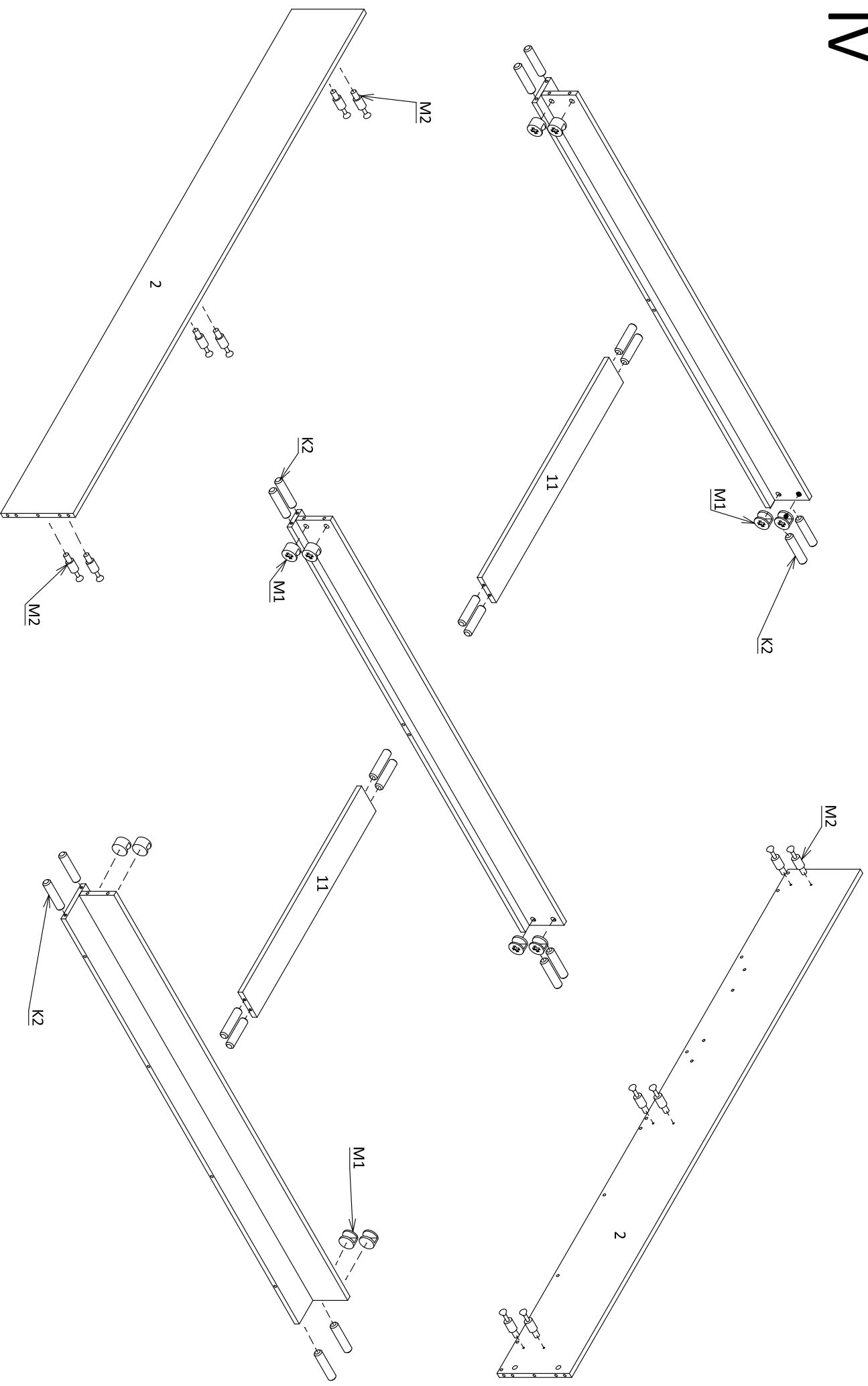
II



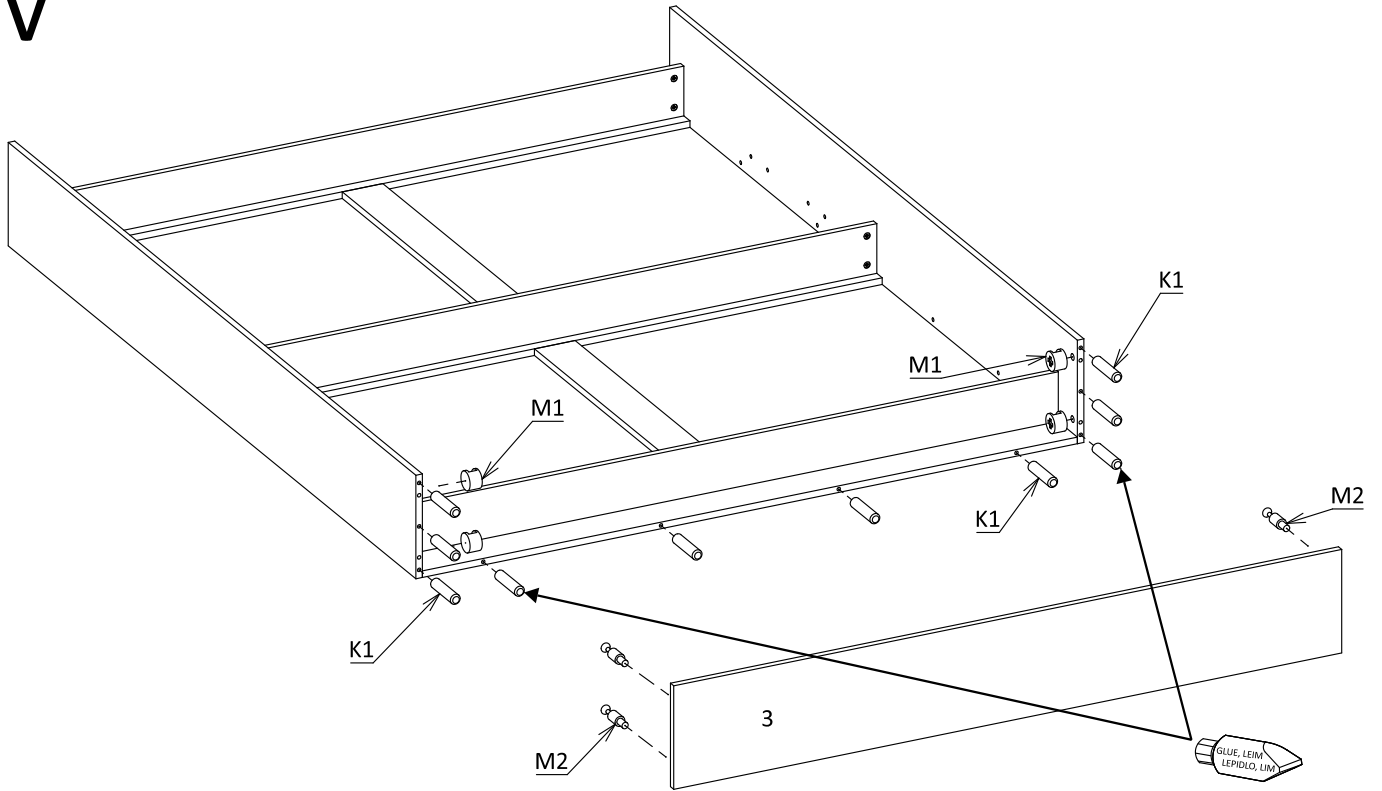
III



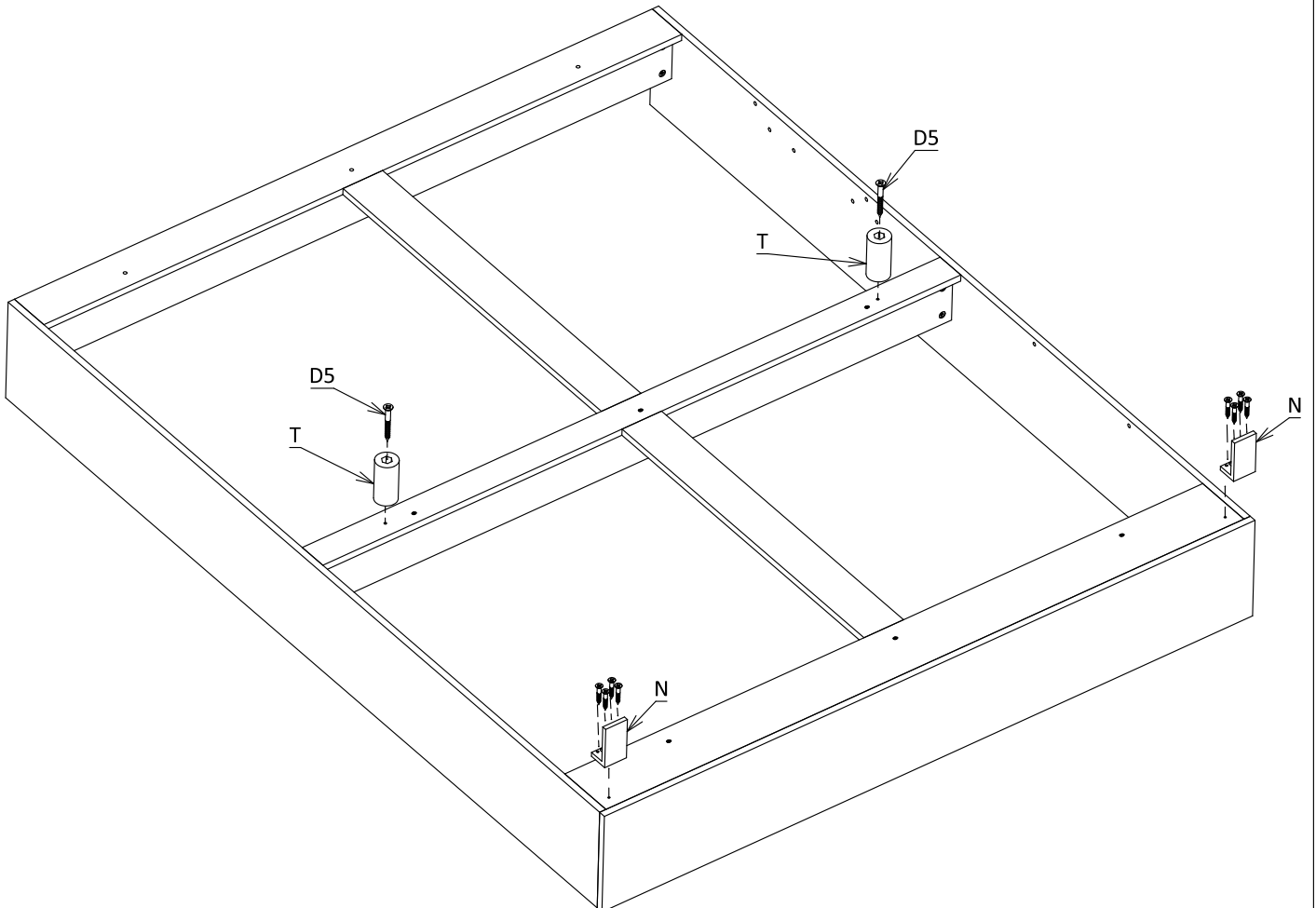
# IV



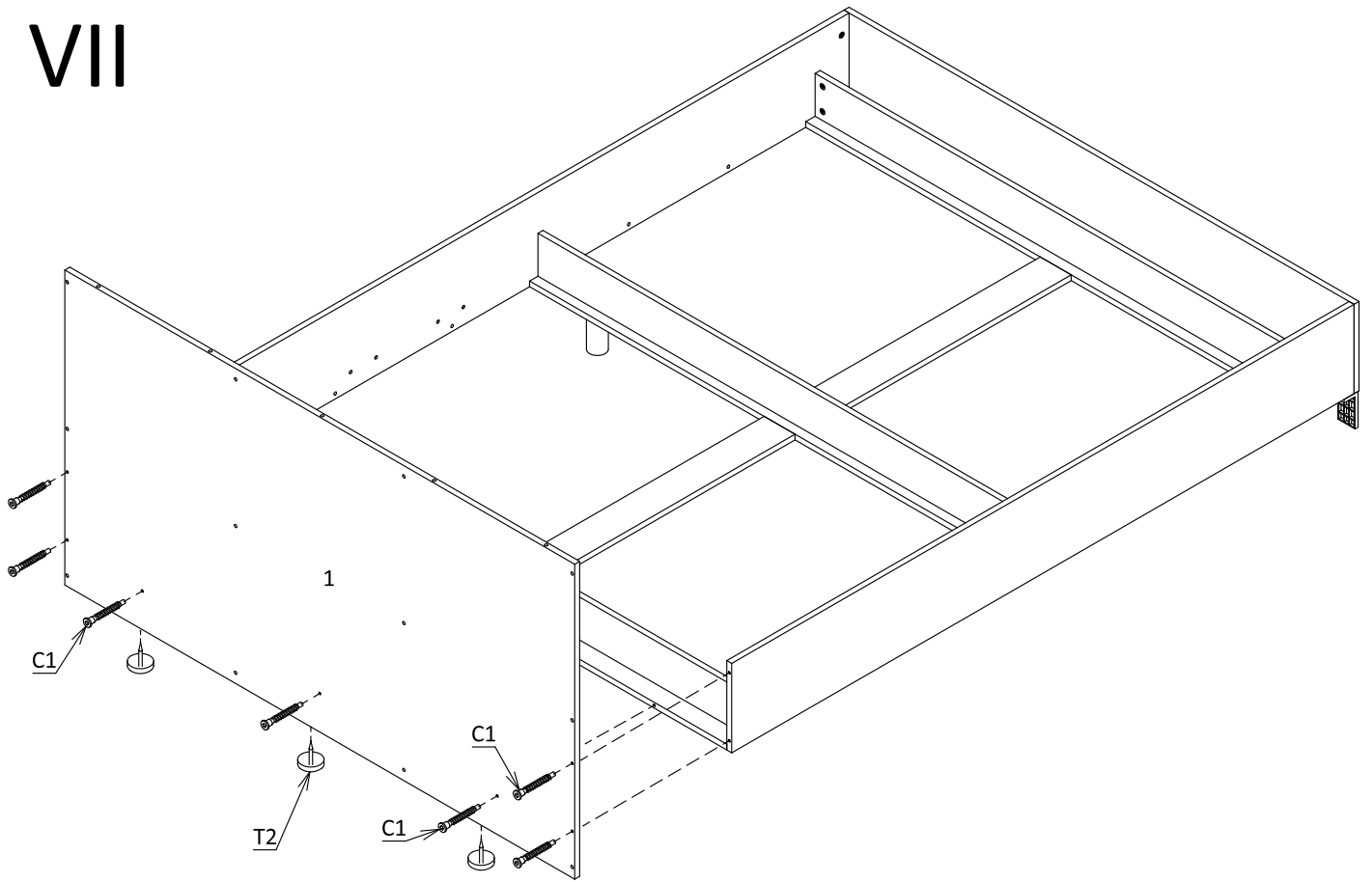
# V



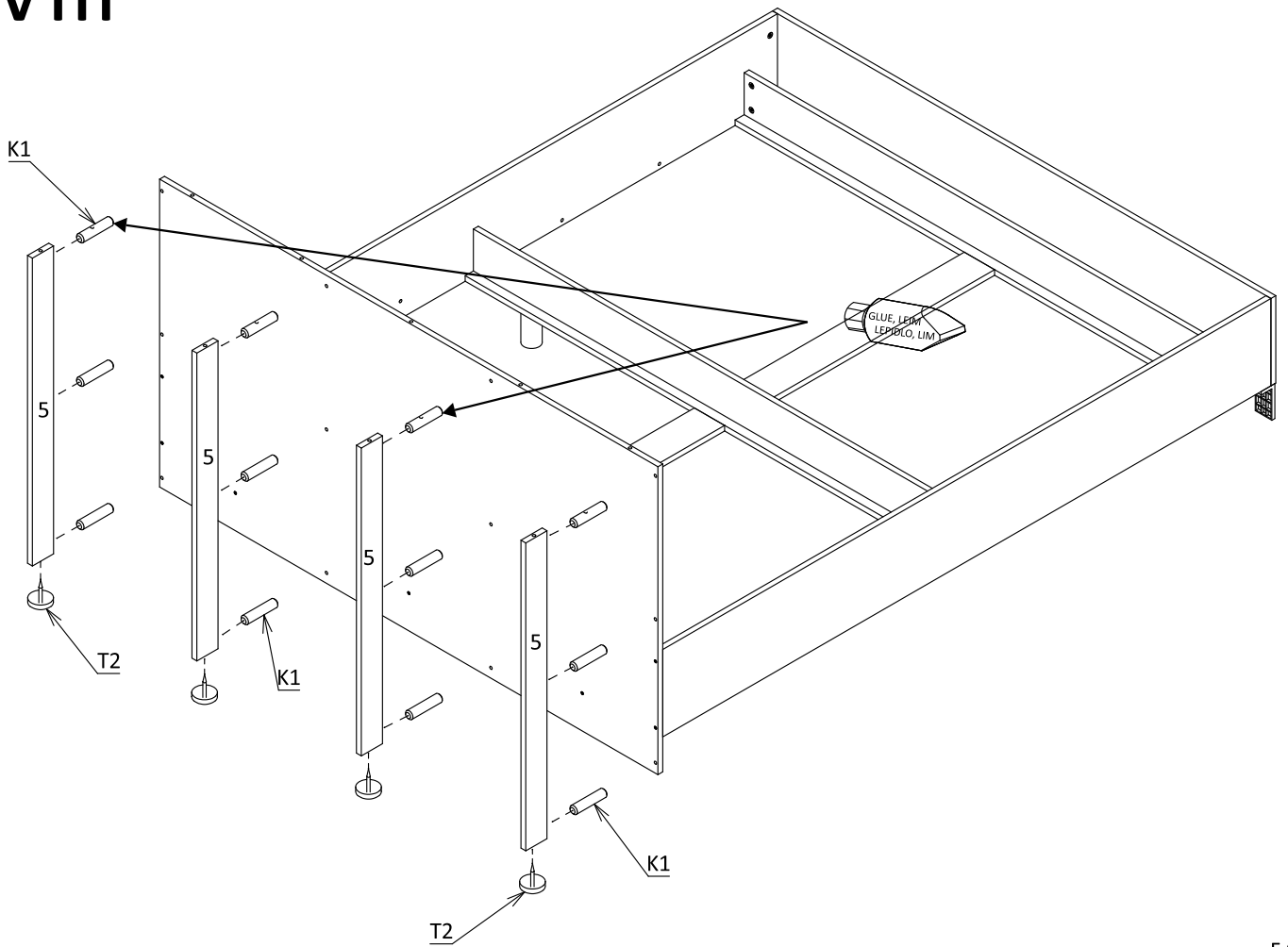
# VI



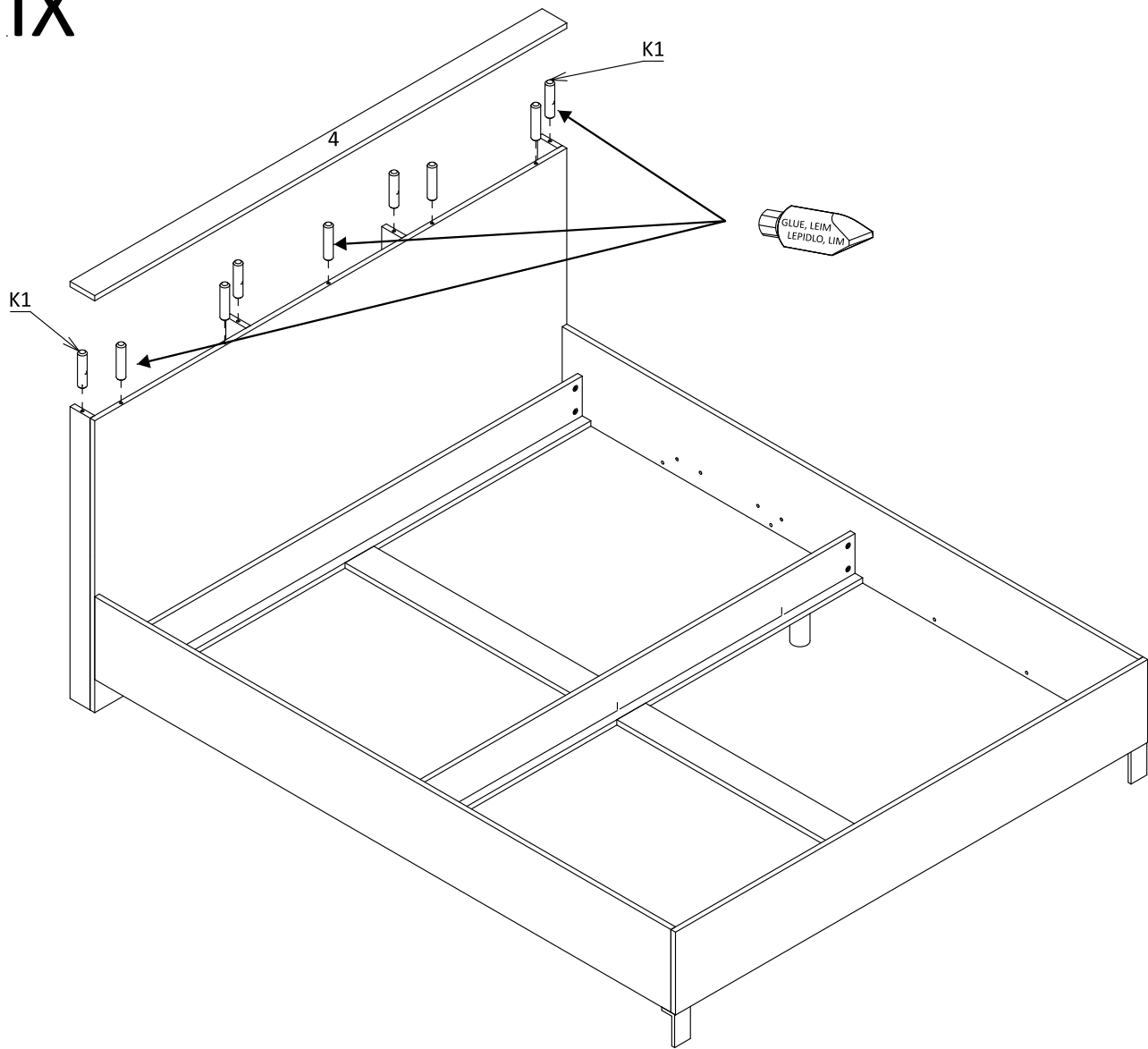
# VII



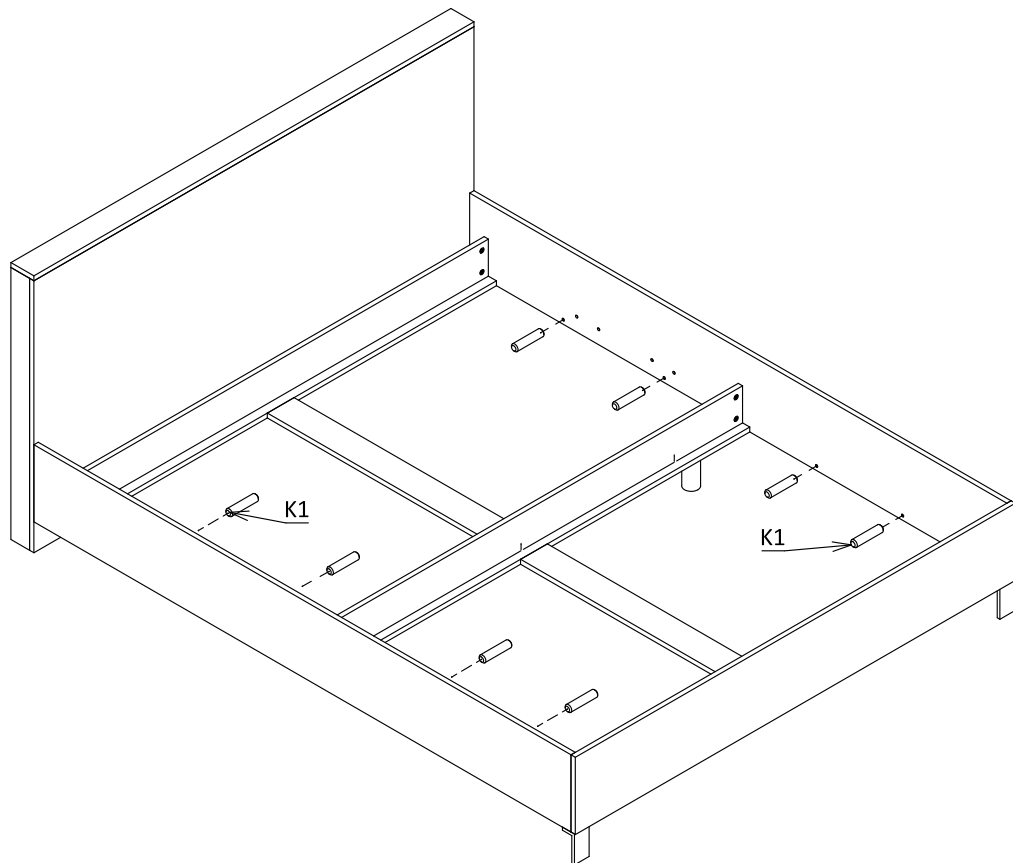
# VIII



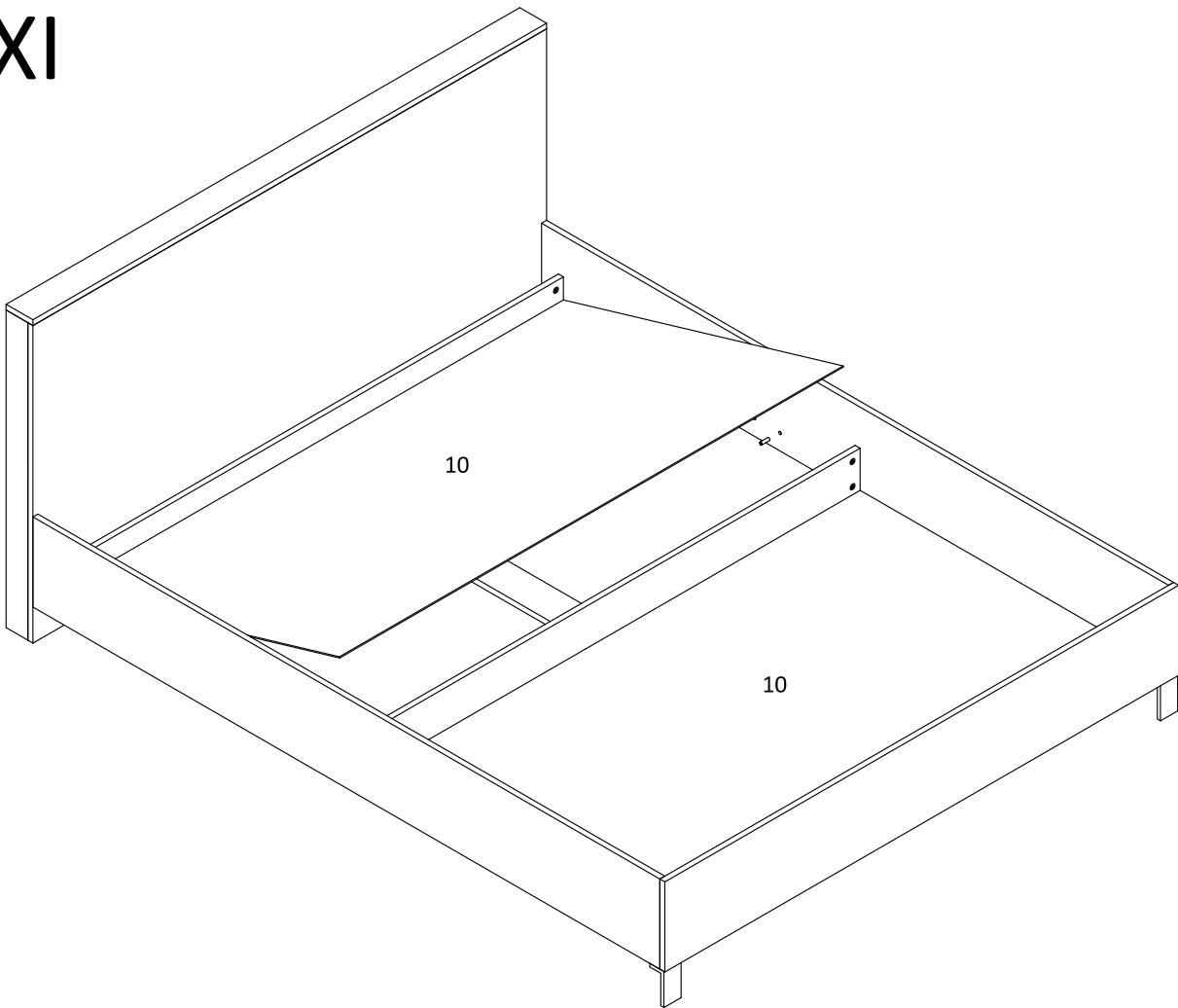
# IX



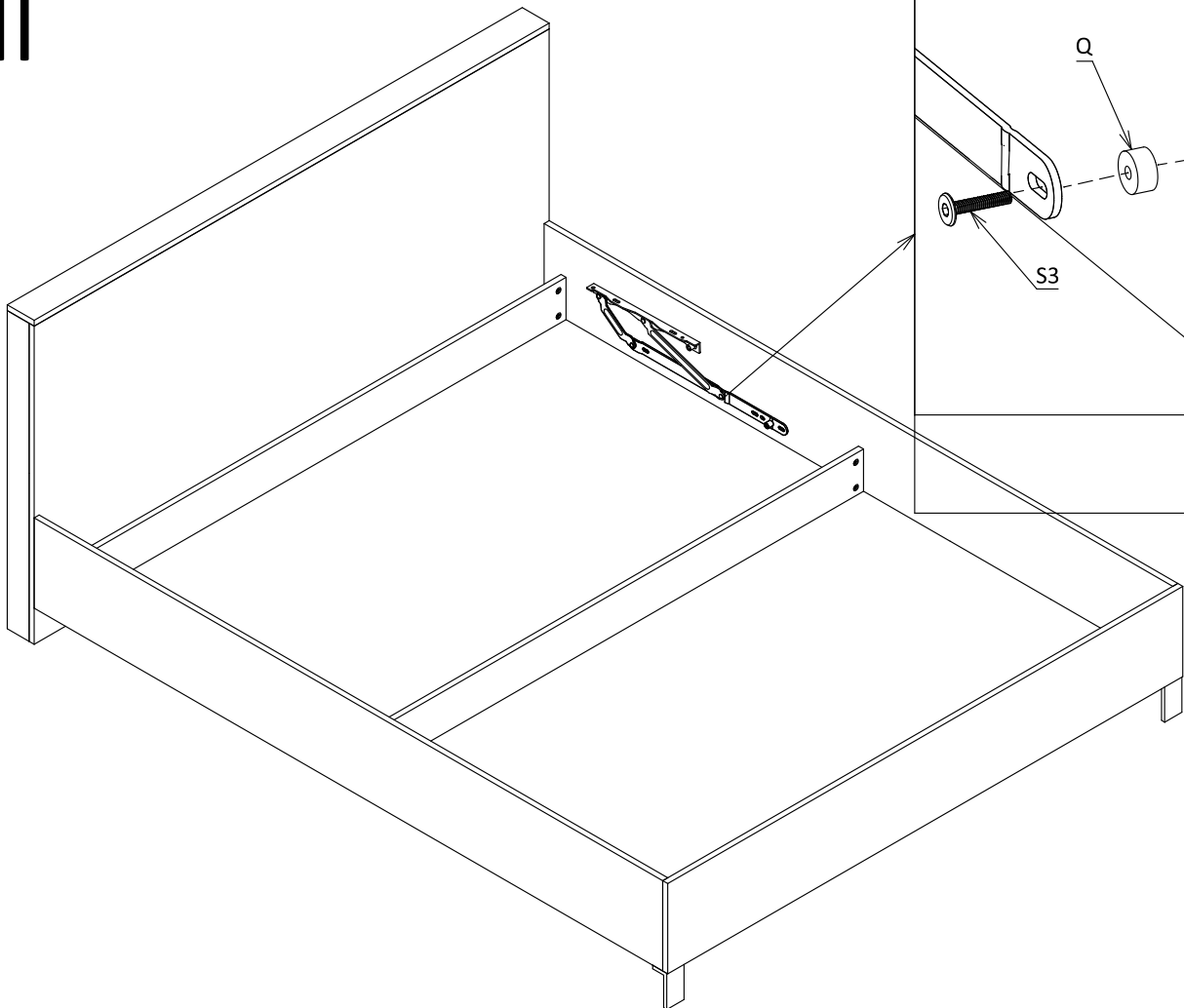
# X



# XI



# XII



XIII

