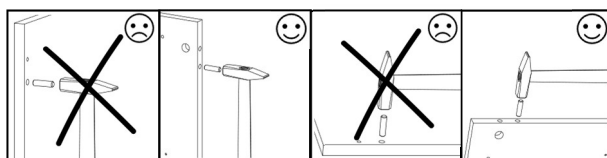
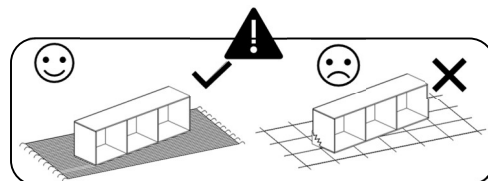
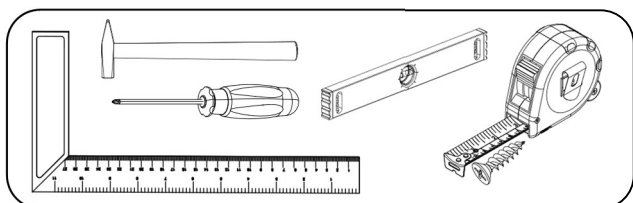
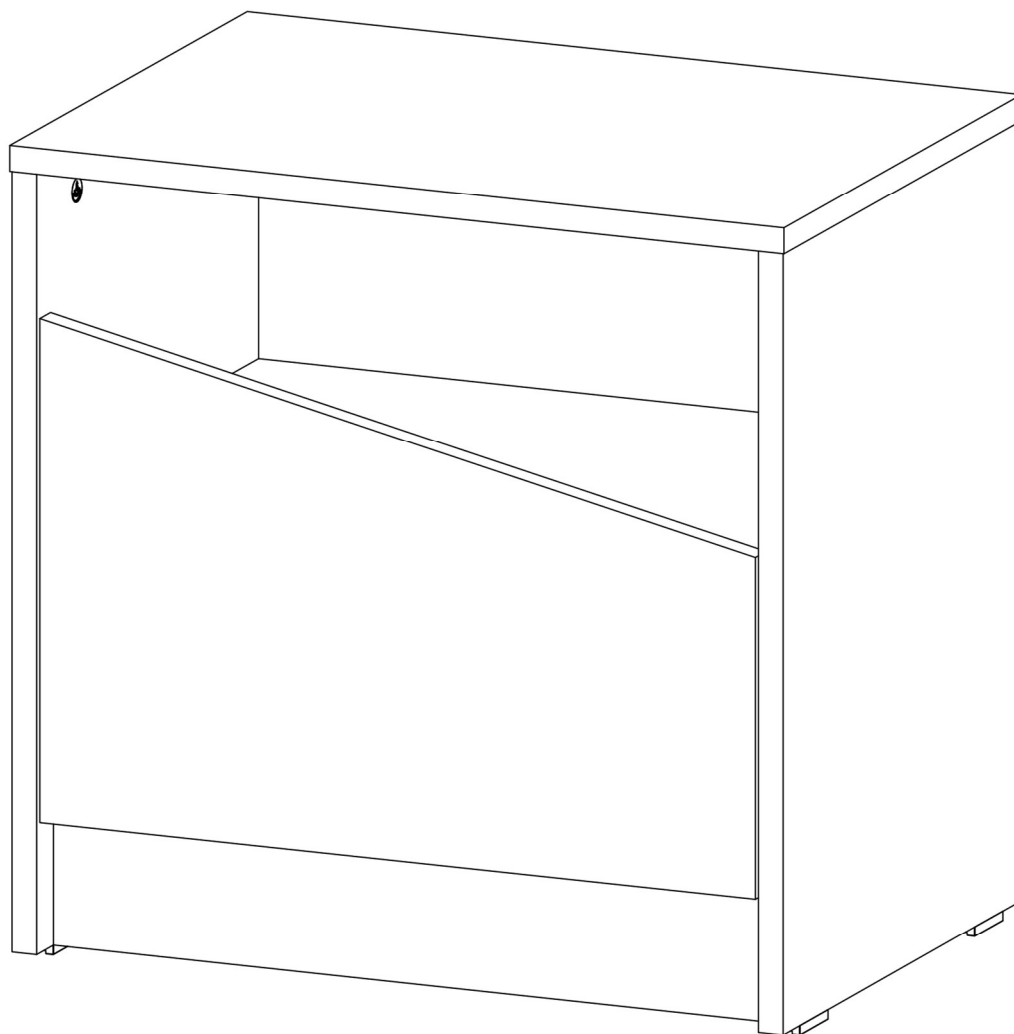
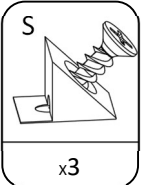
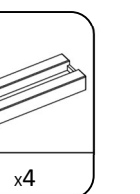
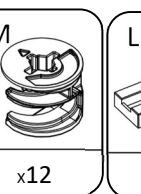
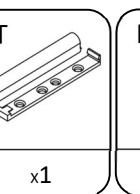
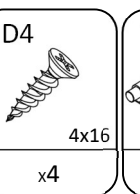
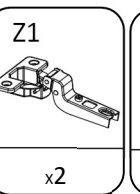
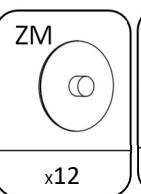
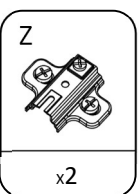
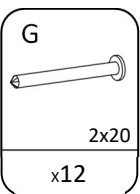
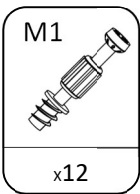
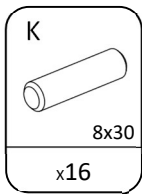
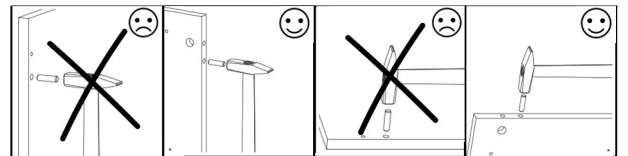
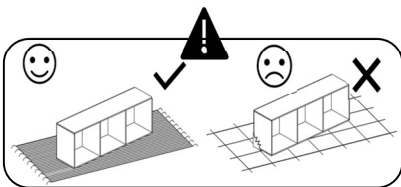
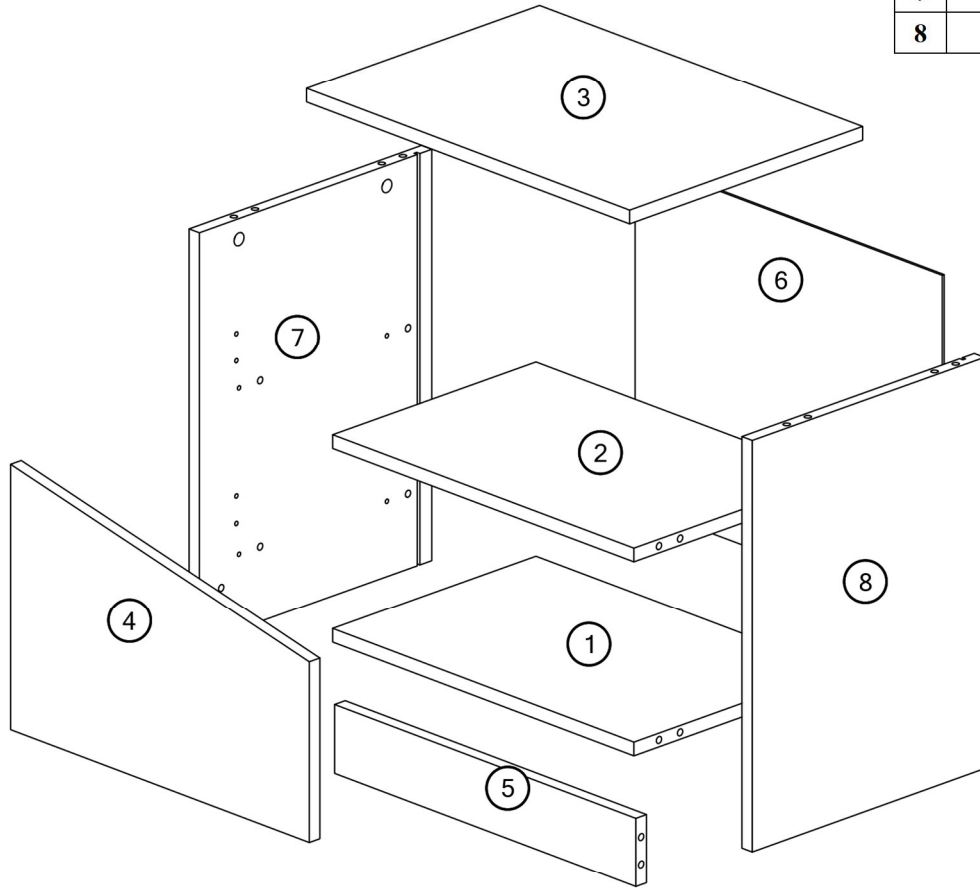


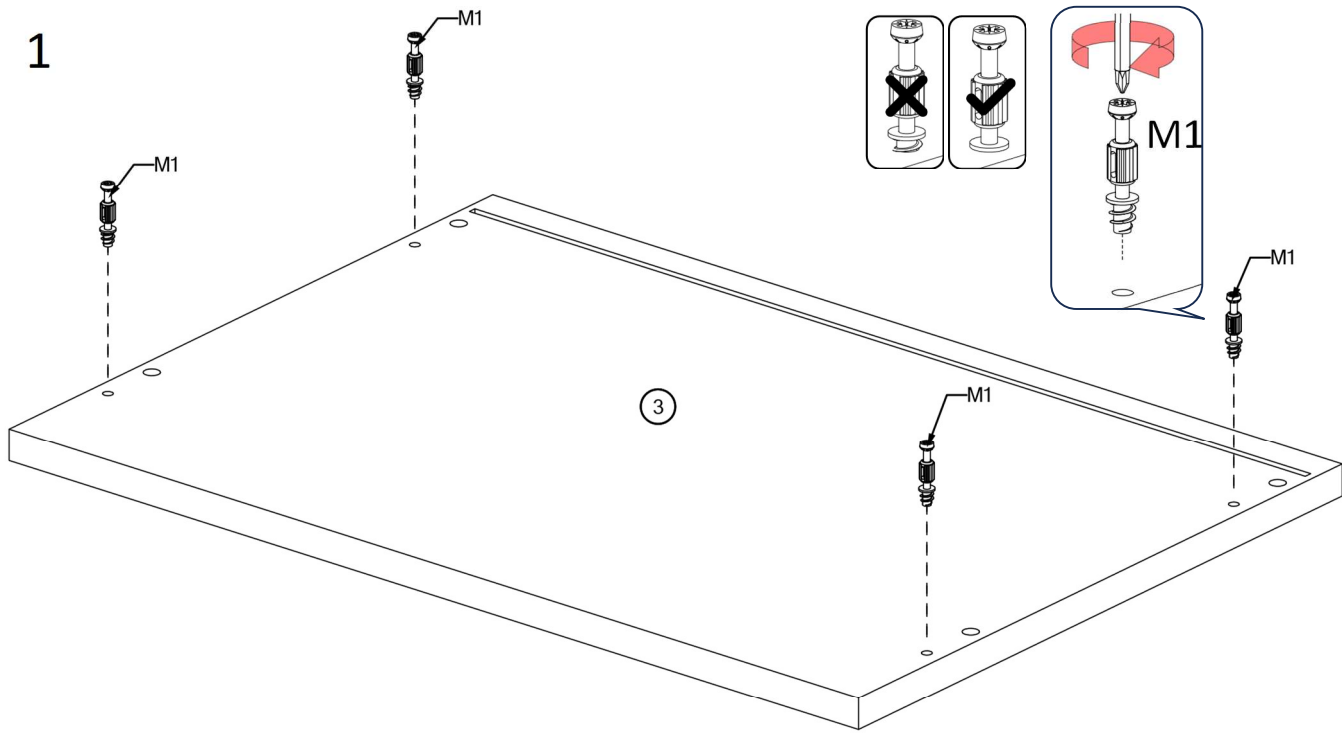
Szafka nocna Atson



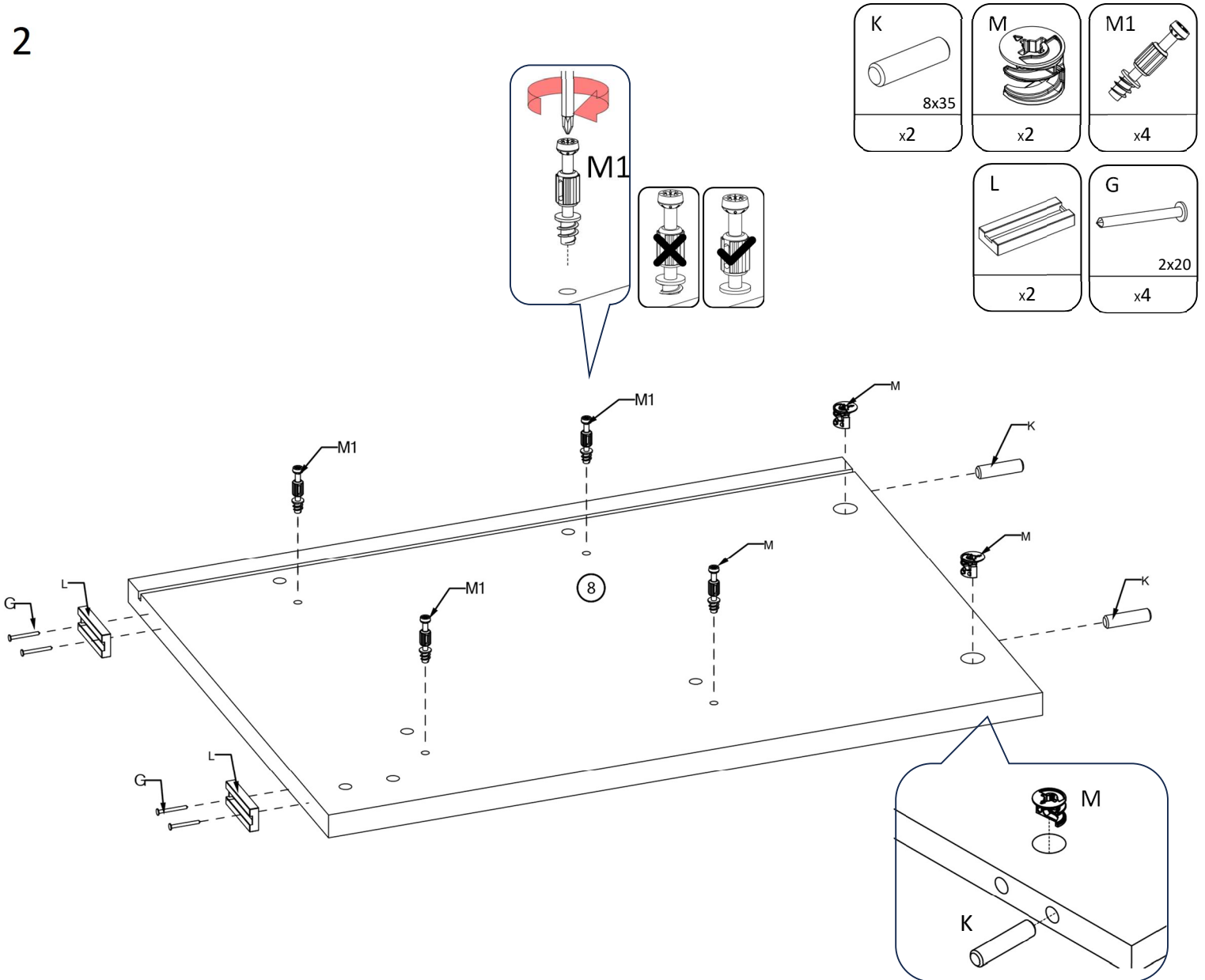
No	T(mm)	L(mm)	W(mm)	Stc.
1	16	468	308	1
2	16	468	308	1
3	16	502	353	1
4	16	310	464	1
5	16	468	80	1
6	3	477	403	1
7	16	458	352	1
8	16	458	352	1



1

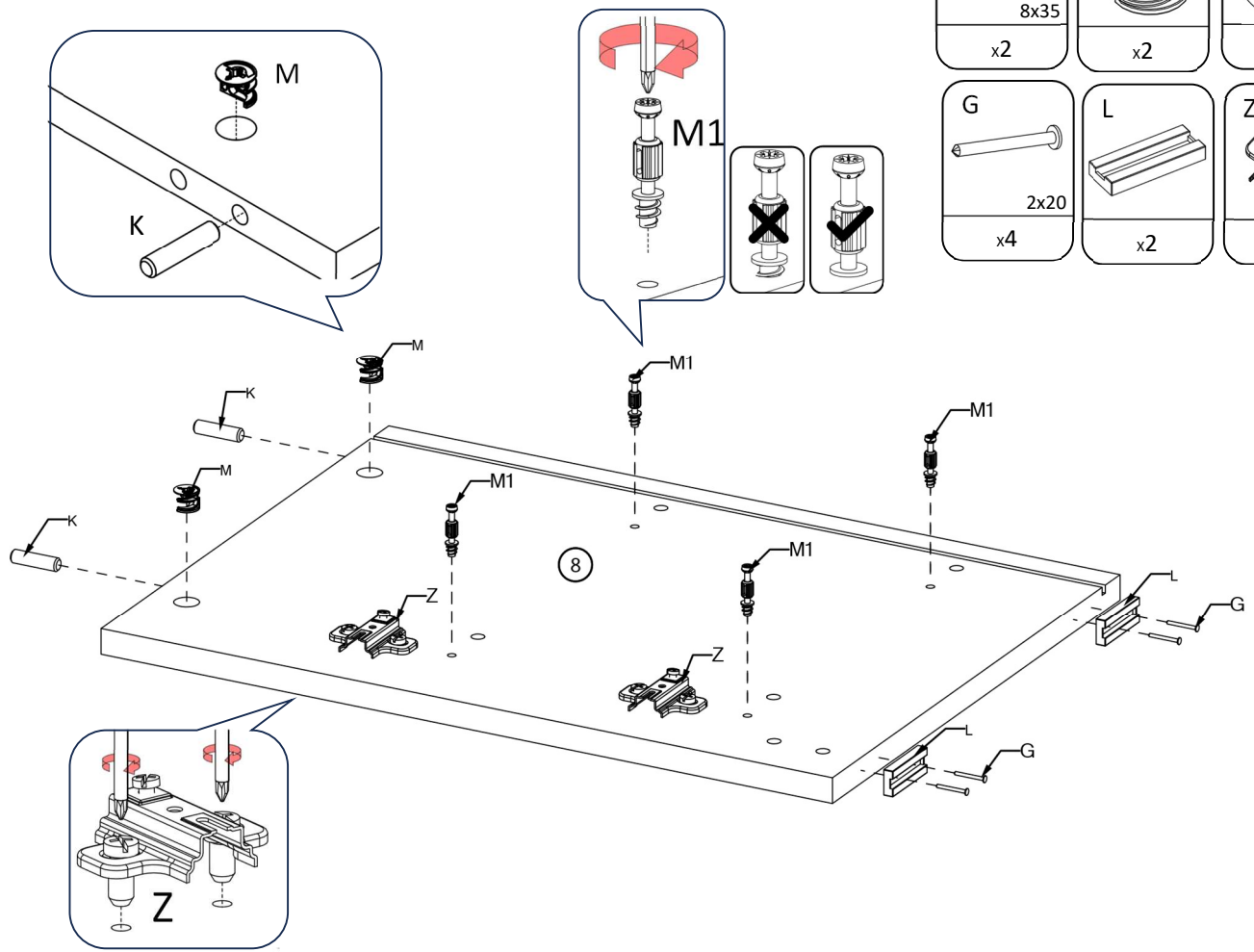


2



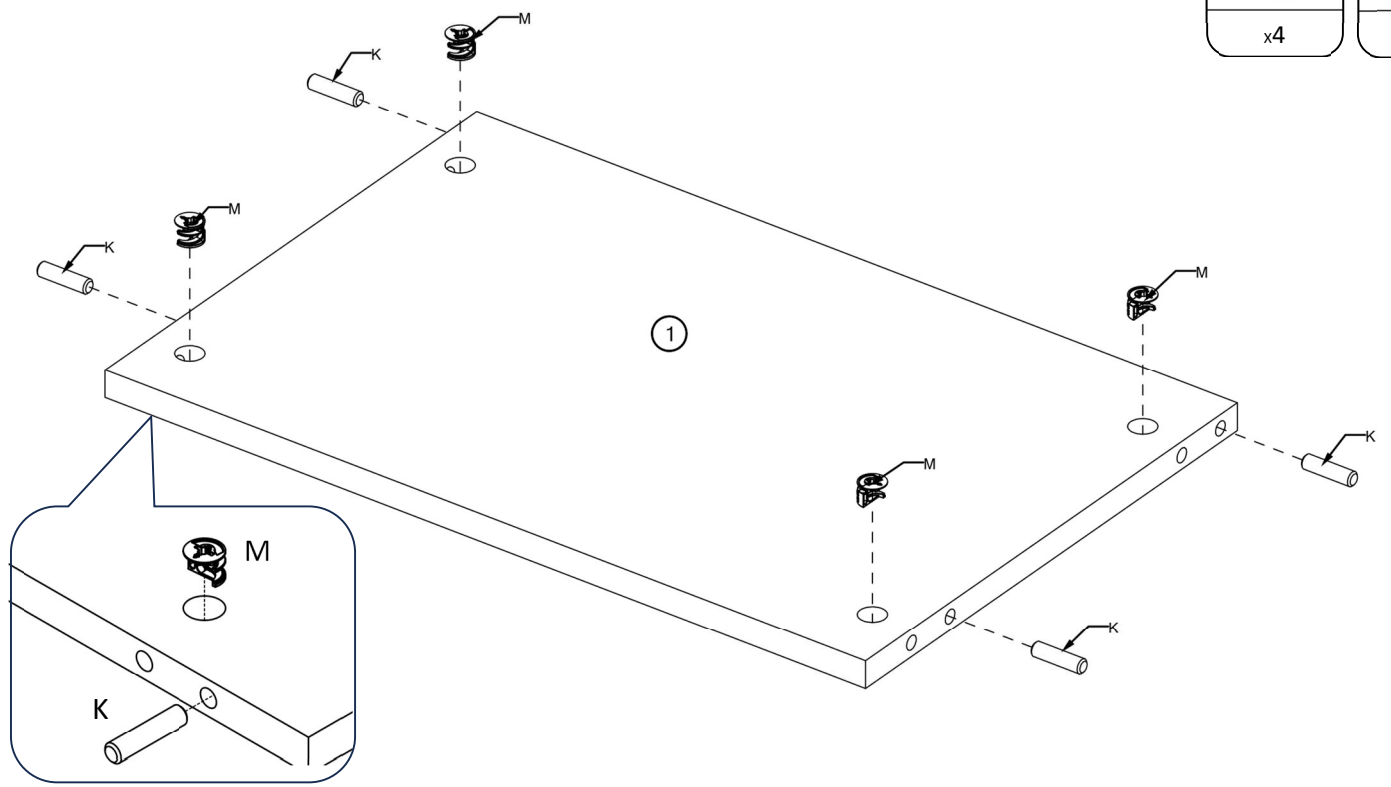
3

K 8x35 x2	M x2	M1 x4
G 2x20 x4	L x2	Z x2

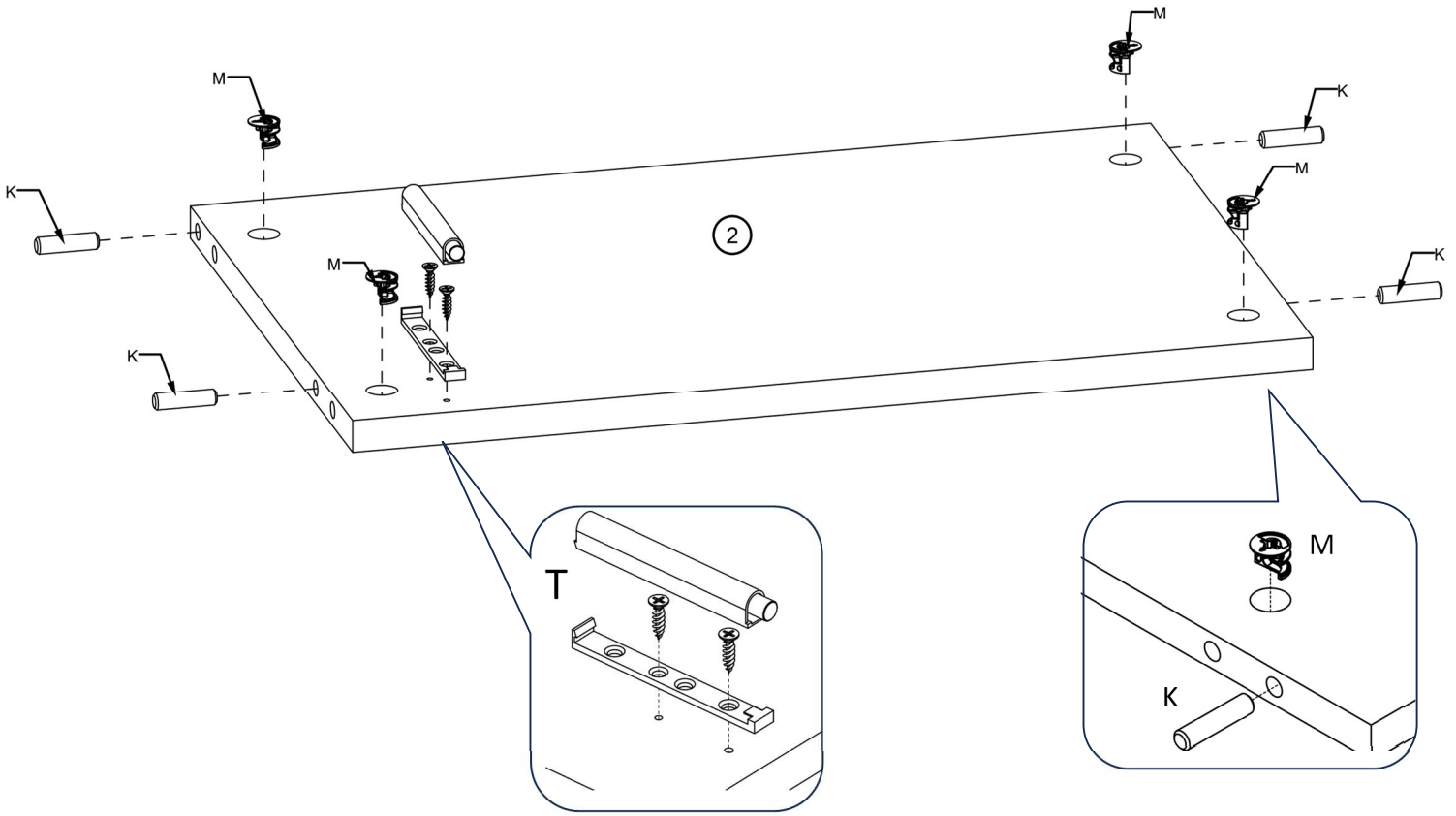
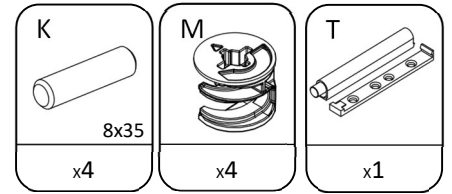


4

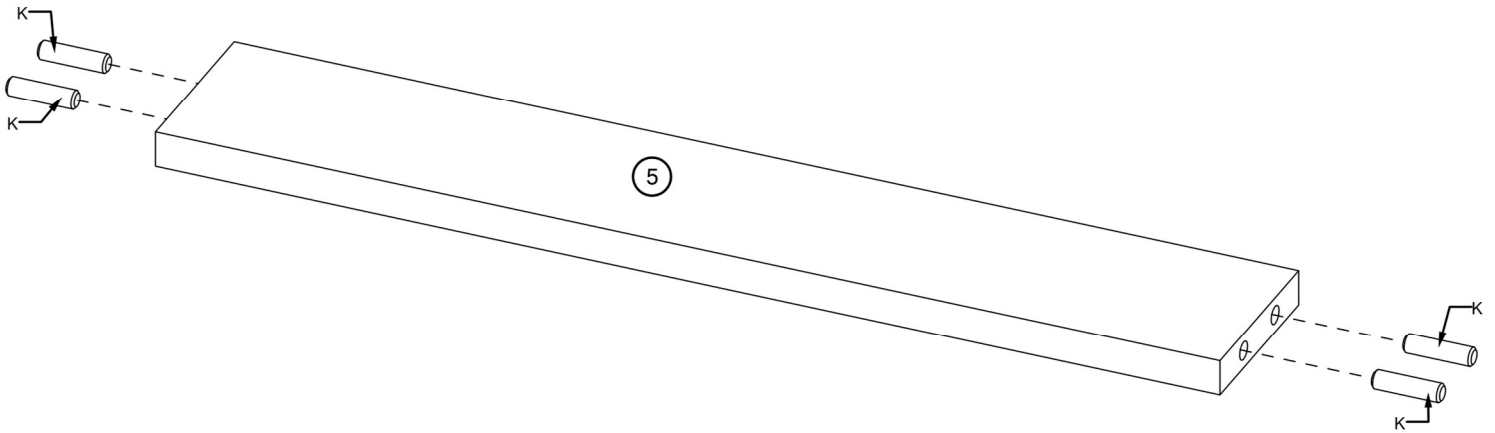
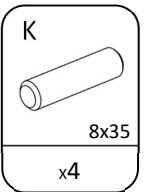
M x4	K 8x35 x4
----------------	------------------------



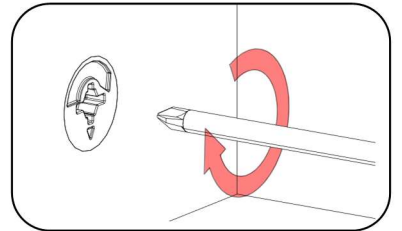
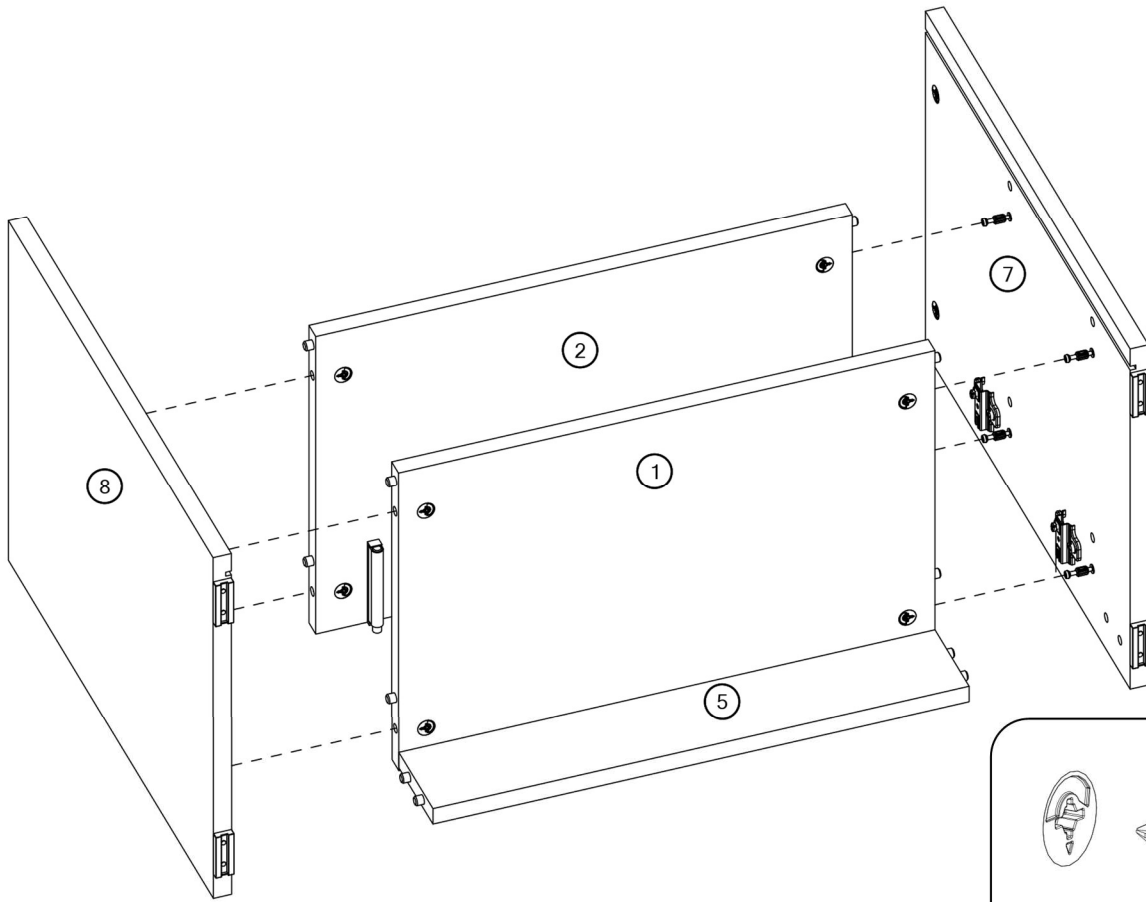
5



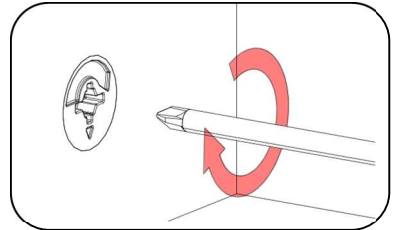
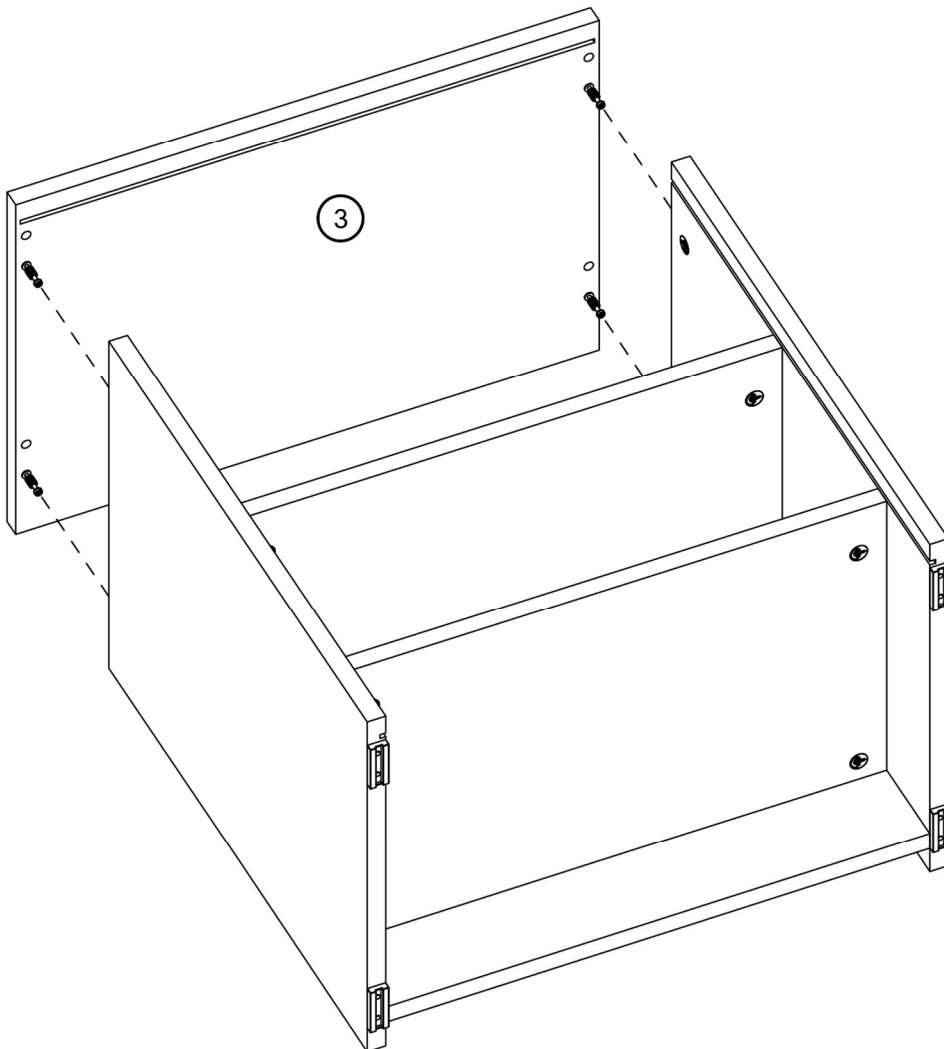
6



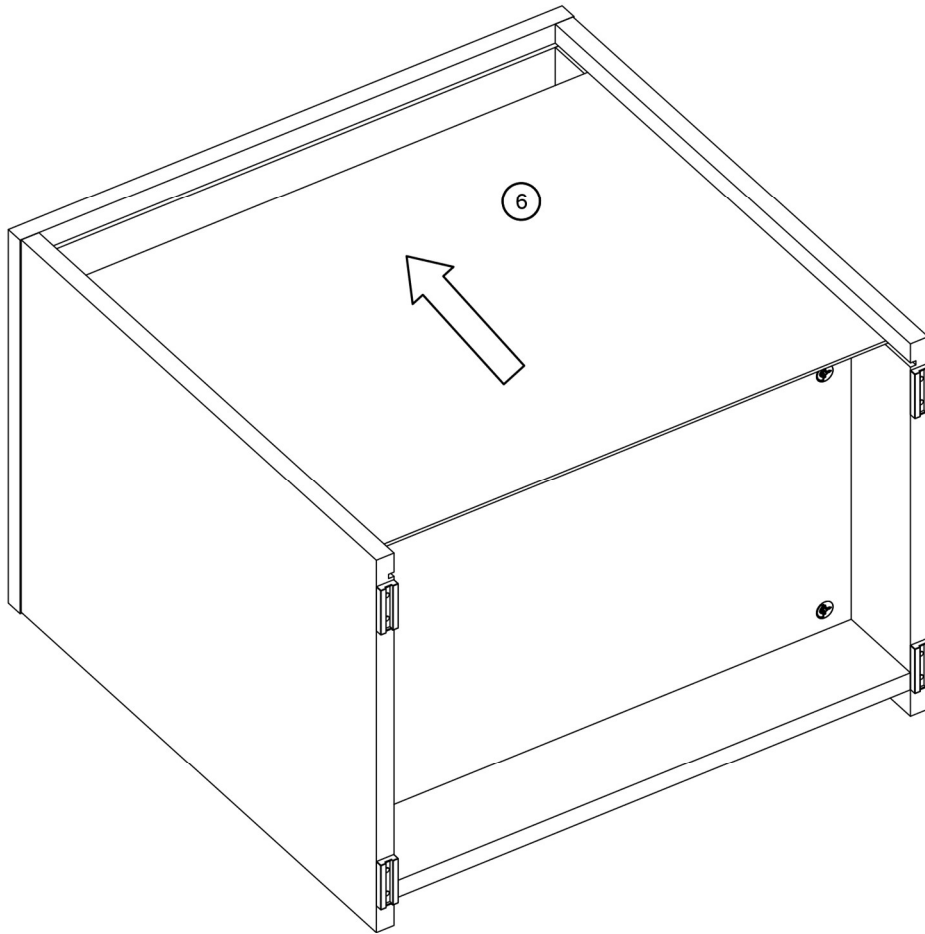
7



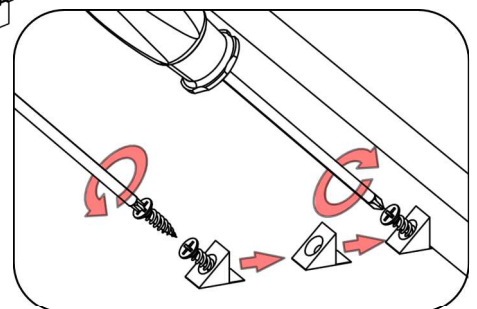
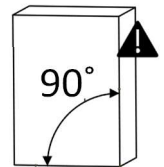
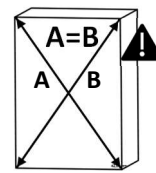
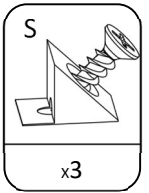
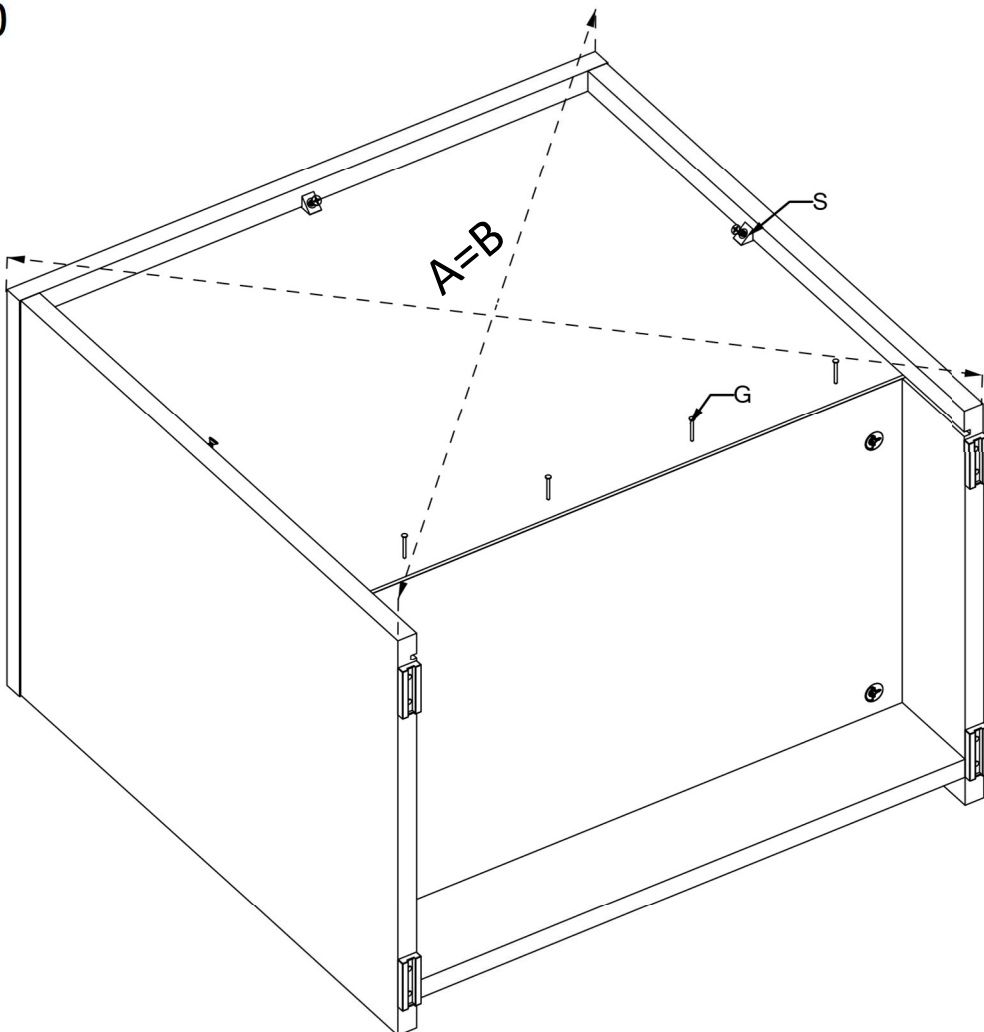
8



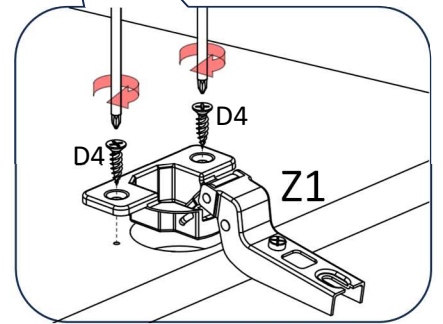
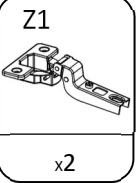
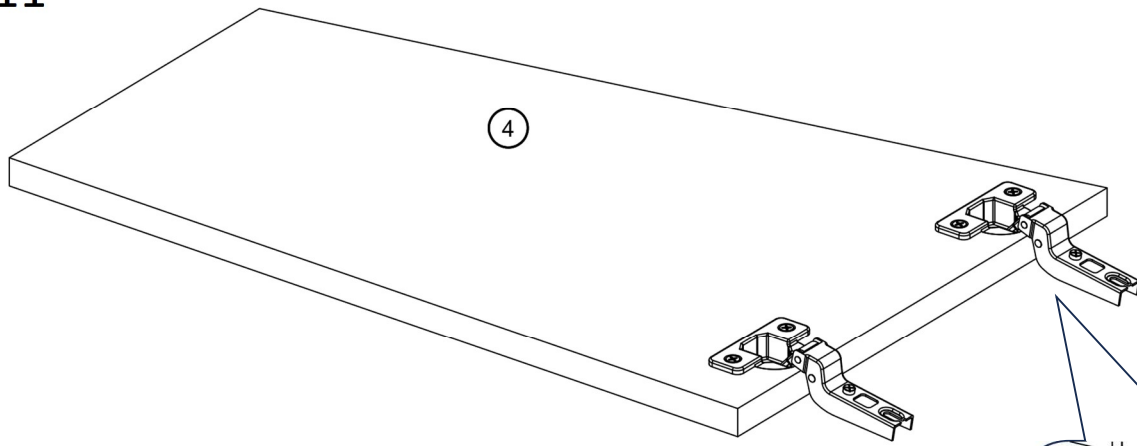
9



10



11



12

