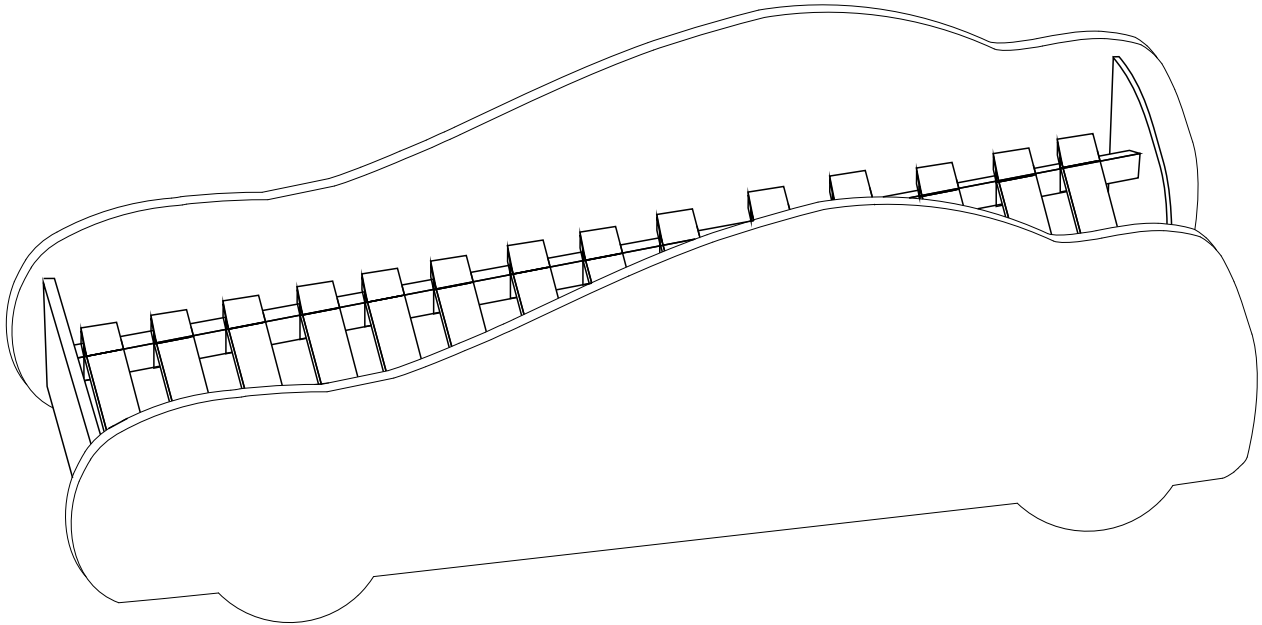
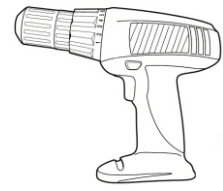
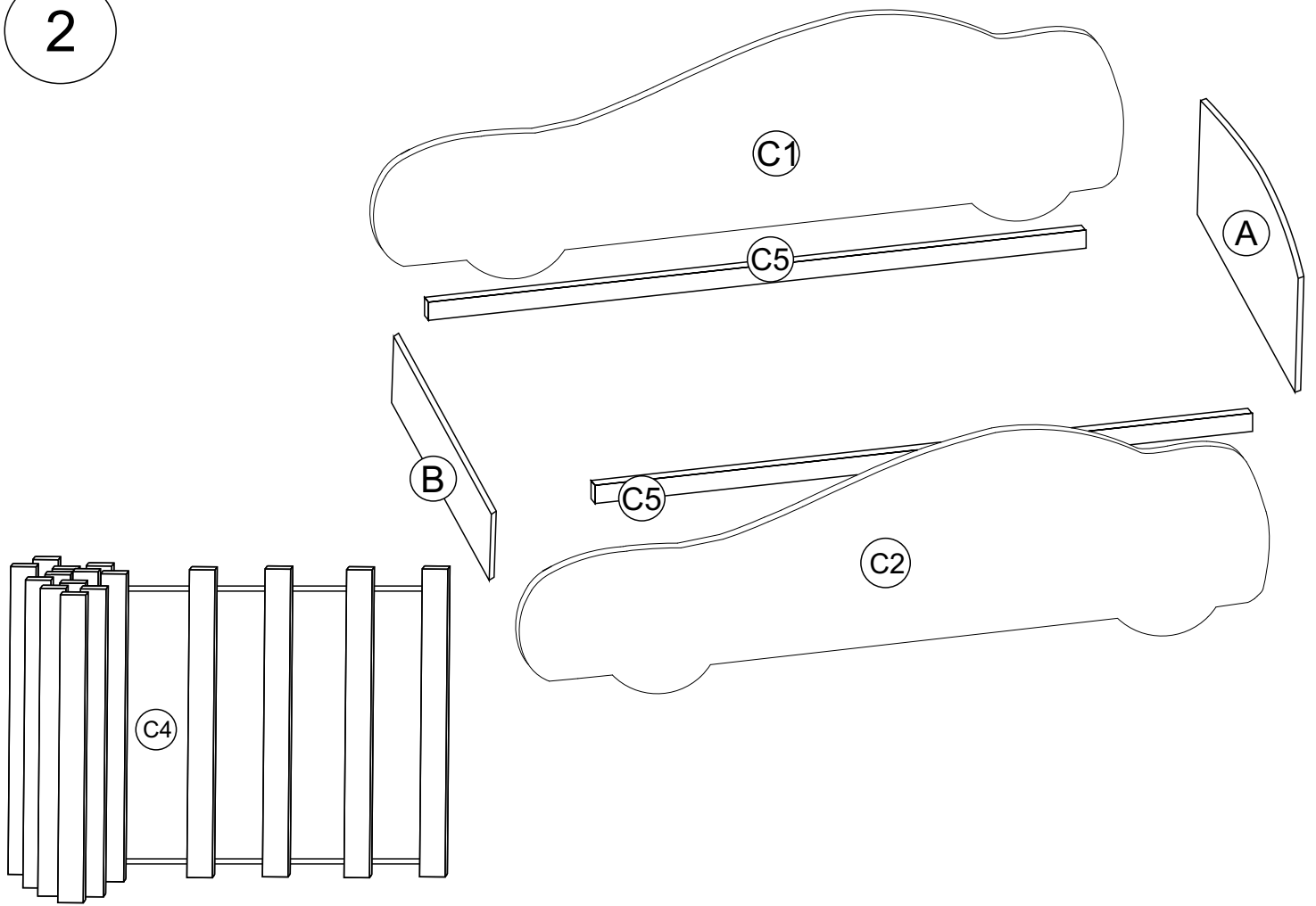


1

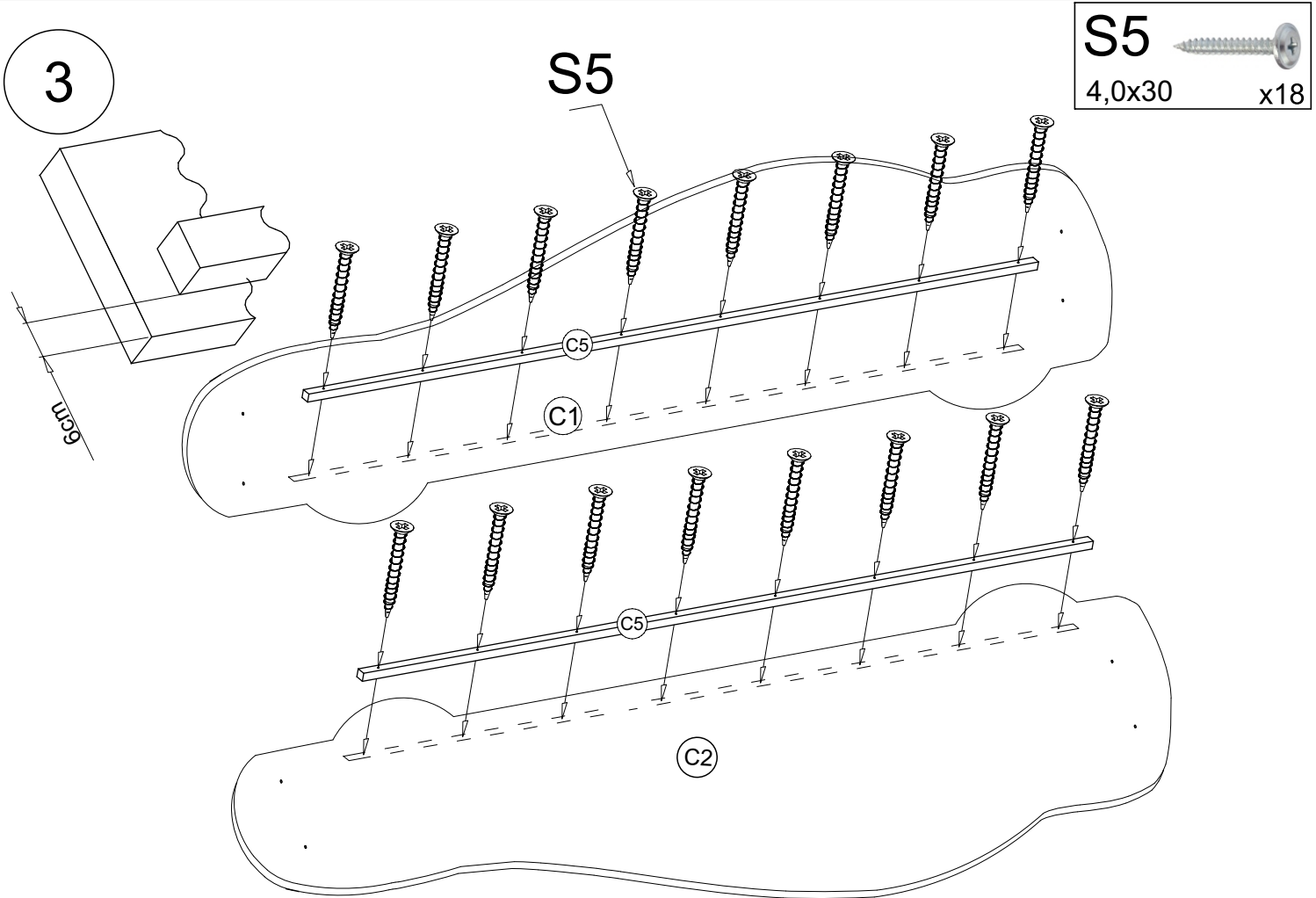


S1		8
S2		8
S3 3,5x20		6
S4		1
S5 4,0x30		18
S6		4
S7		

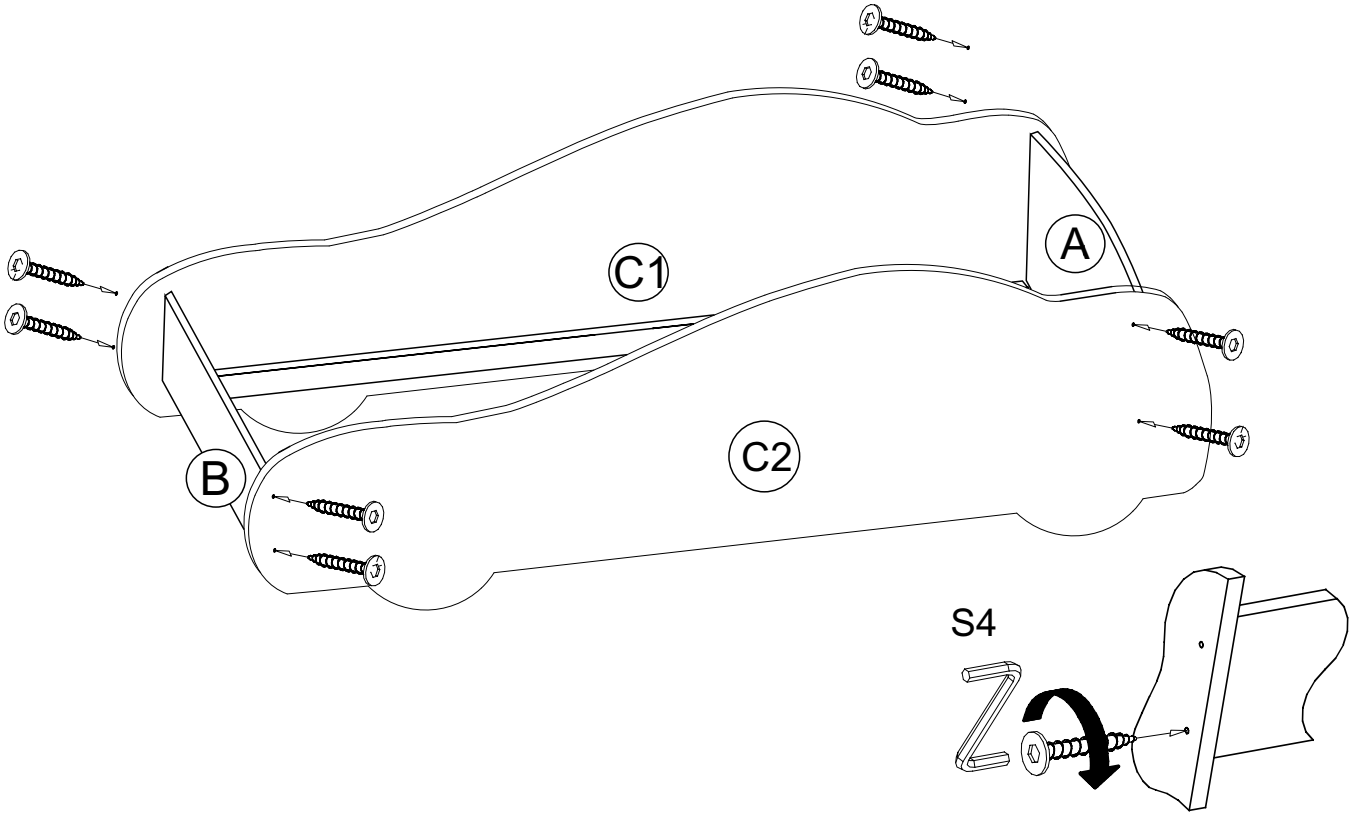
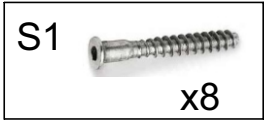
2



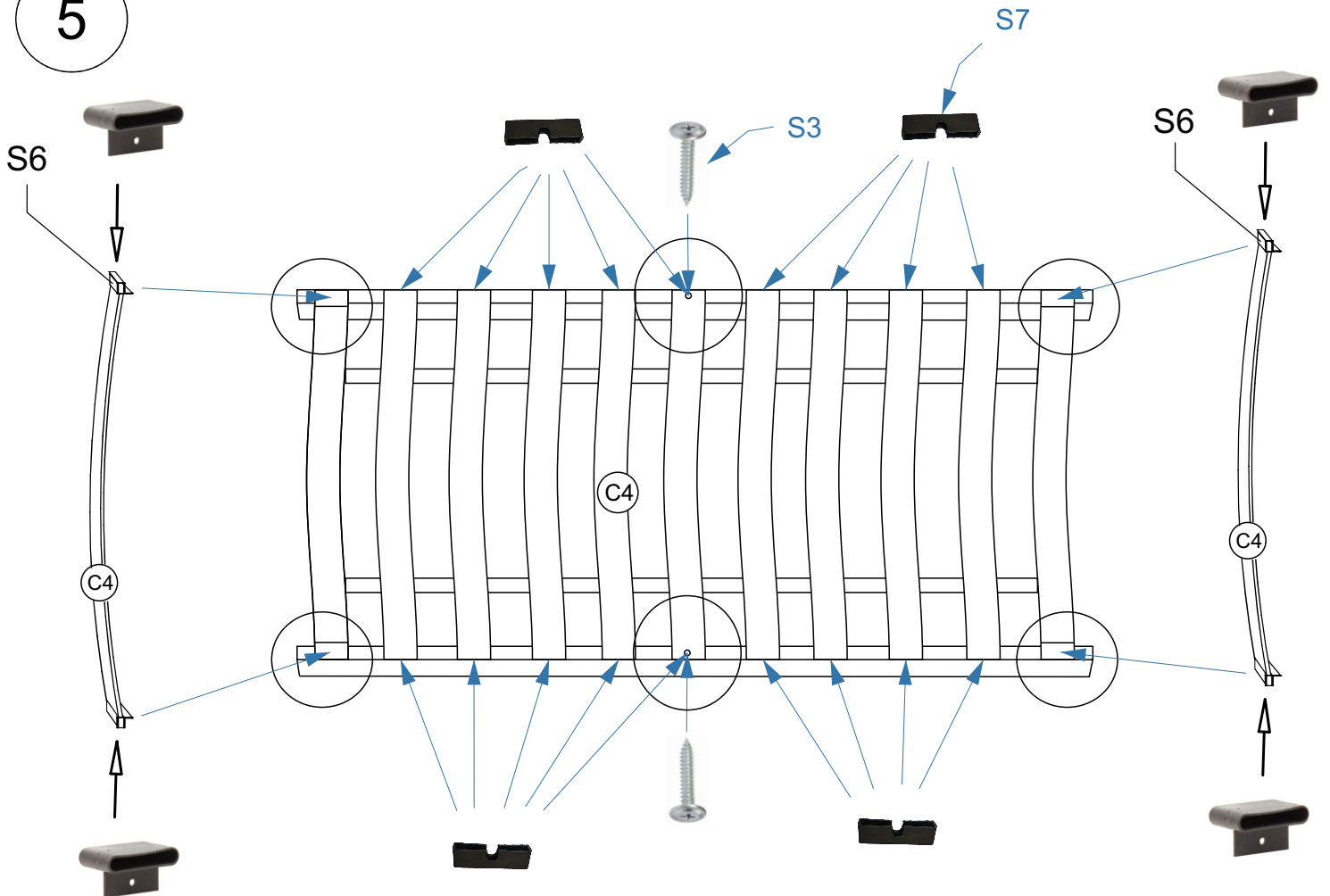
3



4



5



6

S3  
3,5x20 x6

