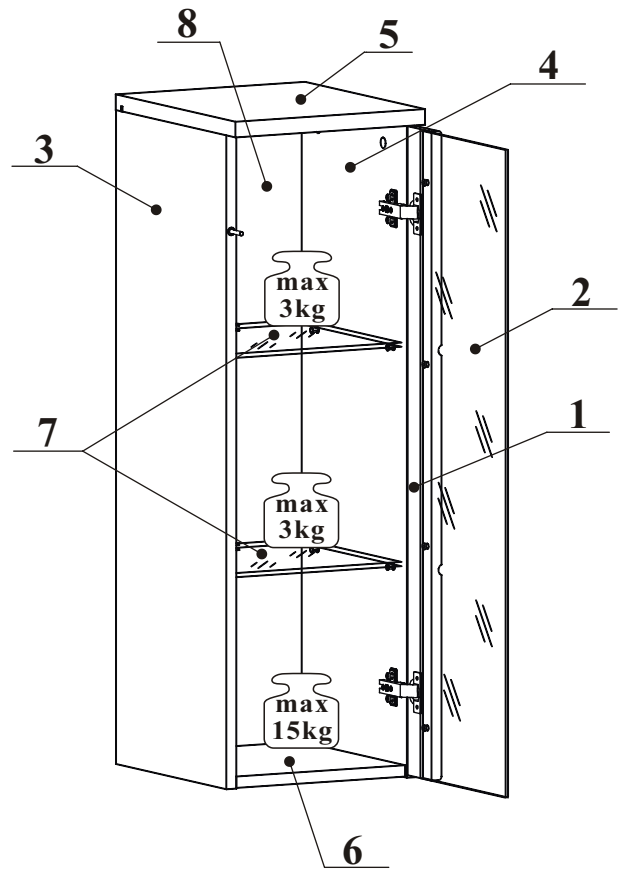
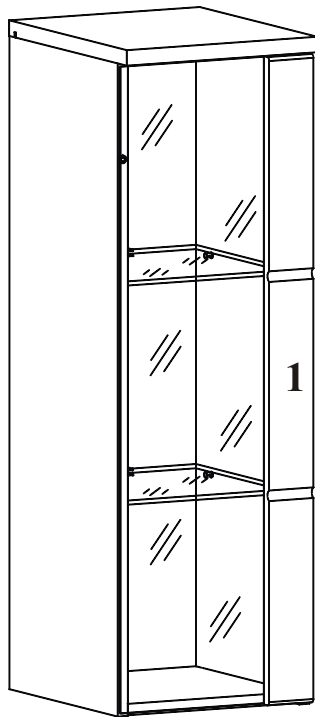
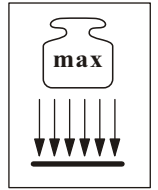
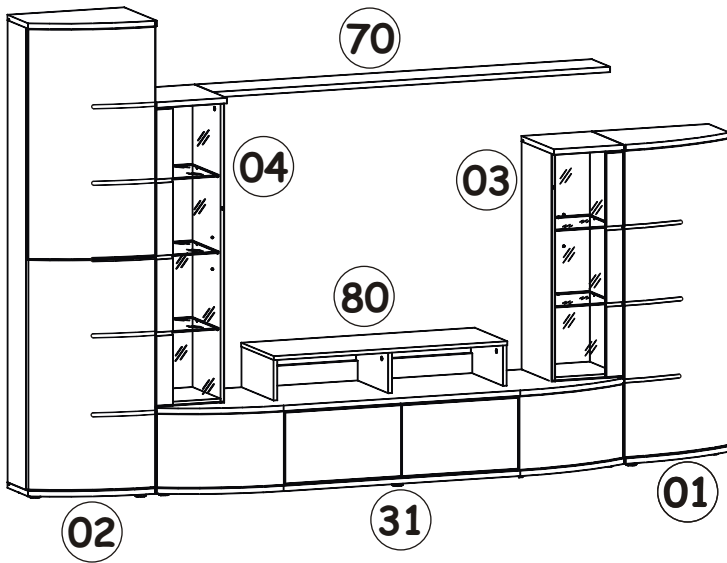
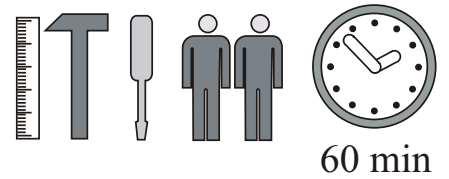


LEAVE TYP 03

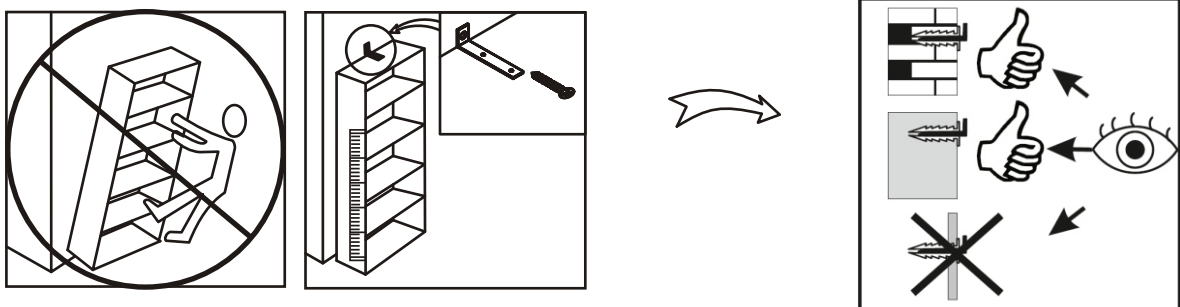
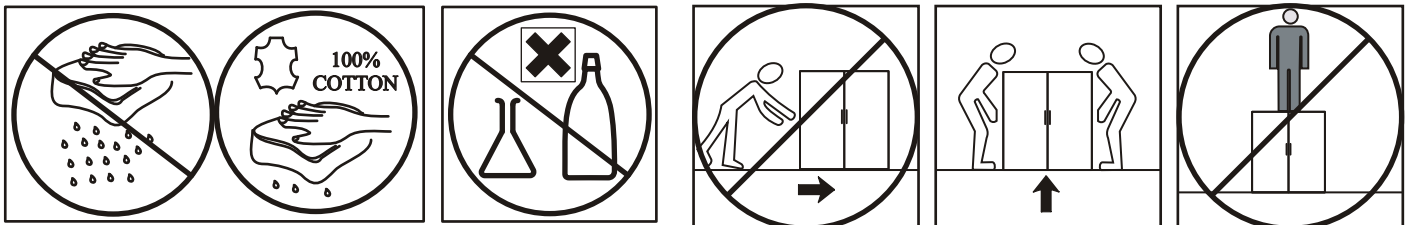
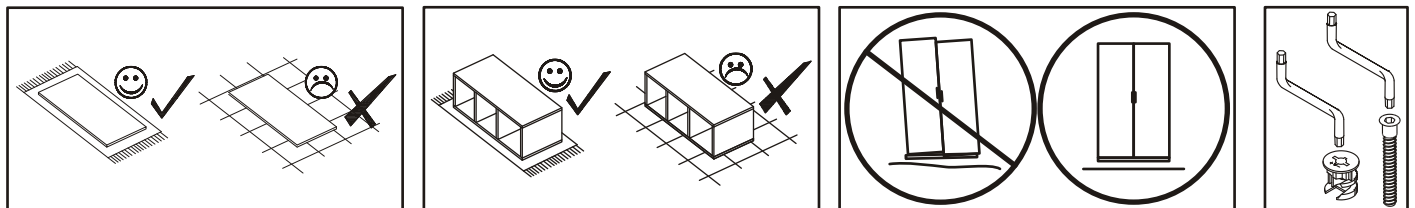
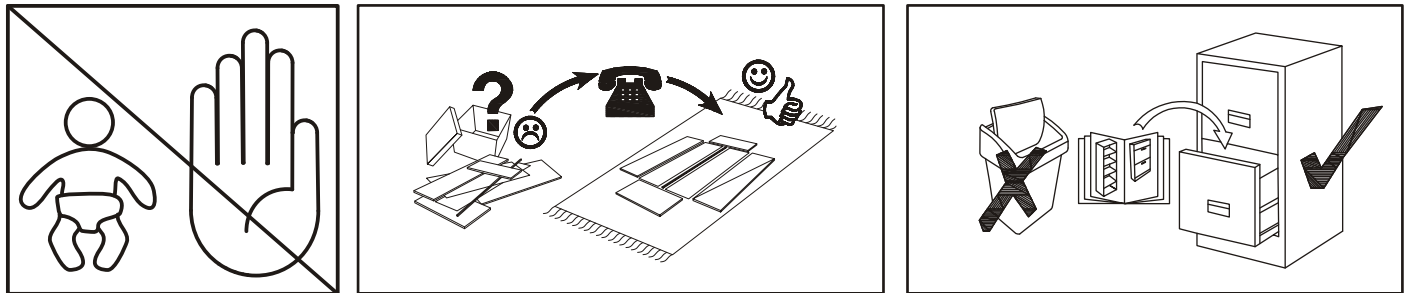
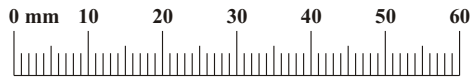


NO	Dim.		Col.-No	Qty
1	70	914	1	1
2	912	251	1	1
3	921	325	1	1
4	921	330	1	1
5	301	353	1	1
6	268	305	1	1
7	266	294	1	2
8	920	280	1	1



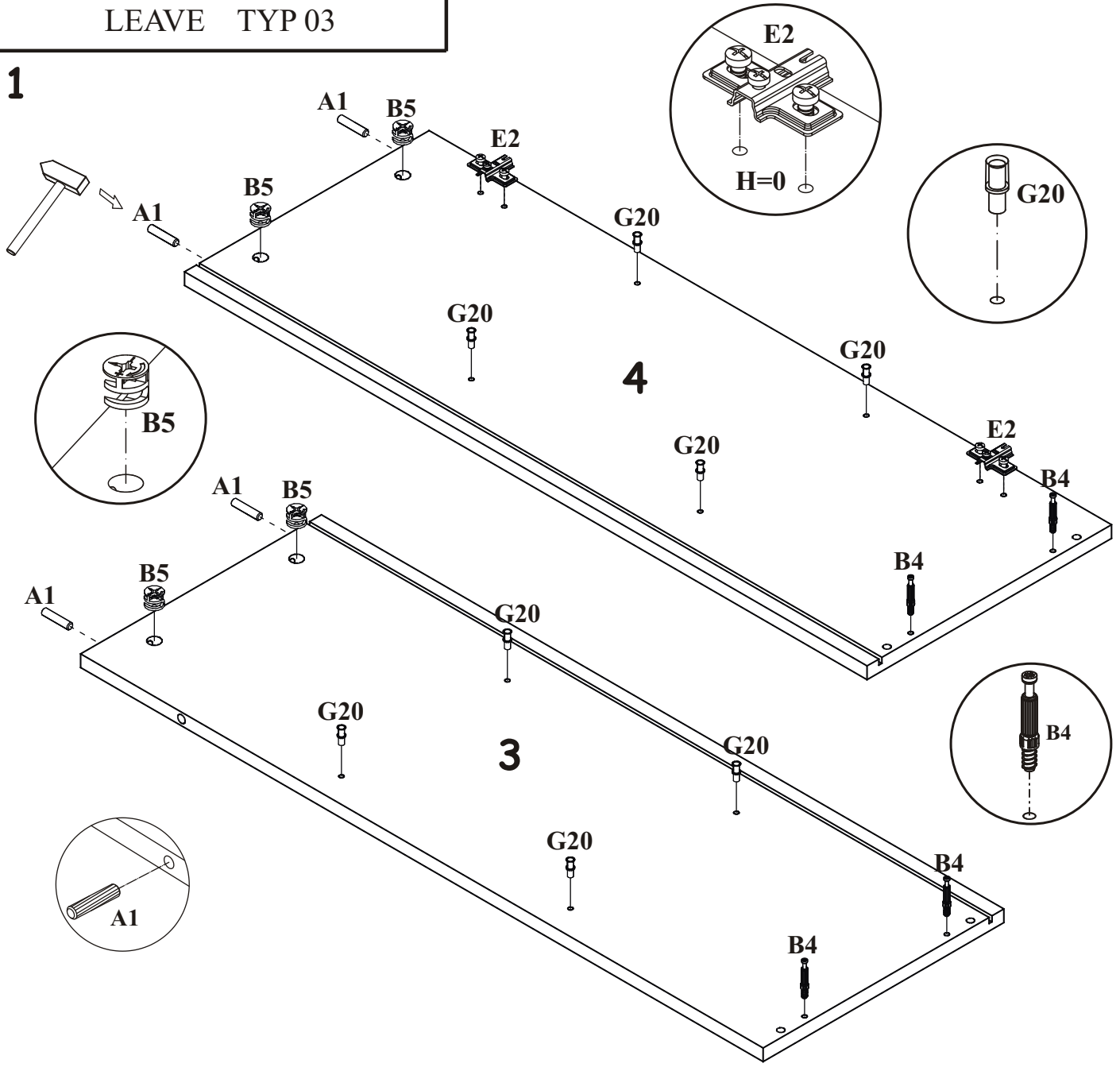
LEAVE TYP 03

A1 X8 ø8x36	B4 X8	B5 X8 ø15x12	G5 X8	G20 X8	OD X1 L=71,5
E21 X2 Ø35 H=0	E2 X2 H=0	D10 X6 USØ3,5x13	P2 X4	UP13 X7 UPØ3x16	S1 X7
P3 X2	L1 X1	KR1 X1	G2 X1		
LED X1 X2 - TYP 03 X3 - TYP 04					

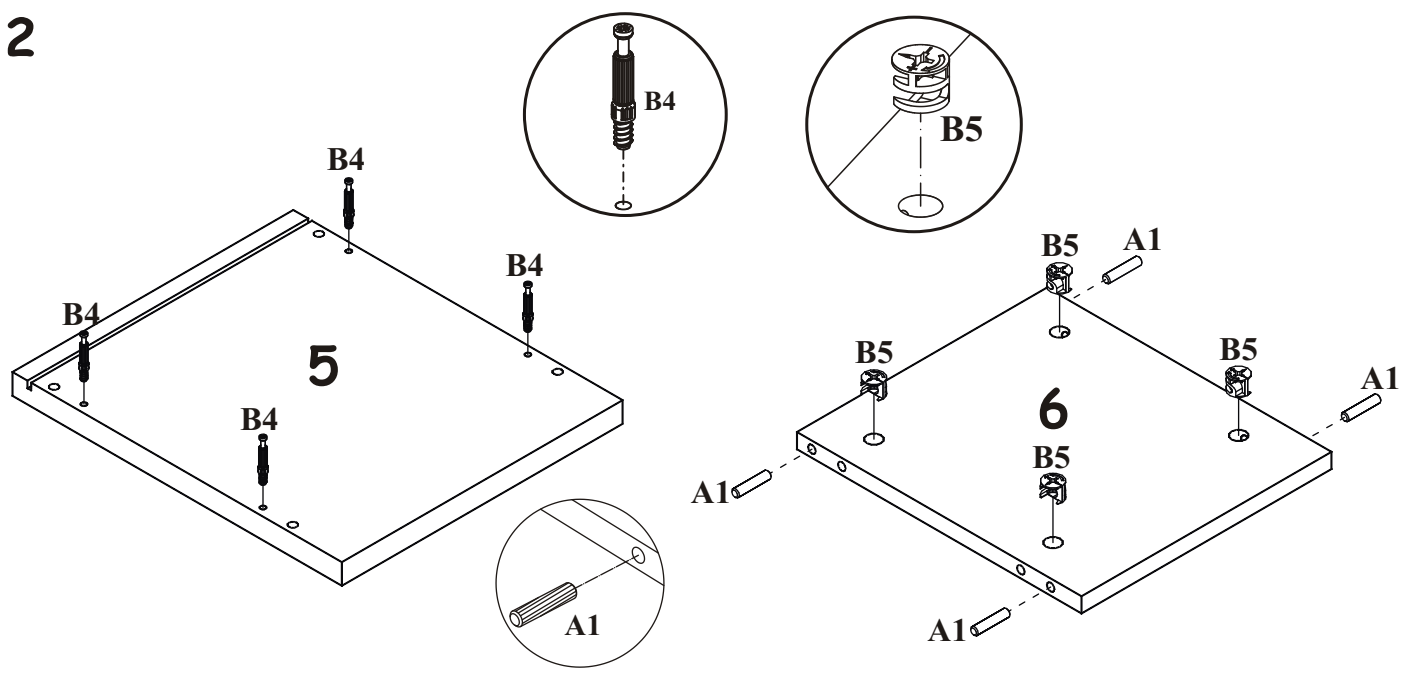


LEAVE TYP 03

1

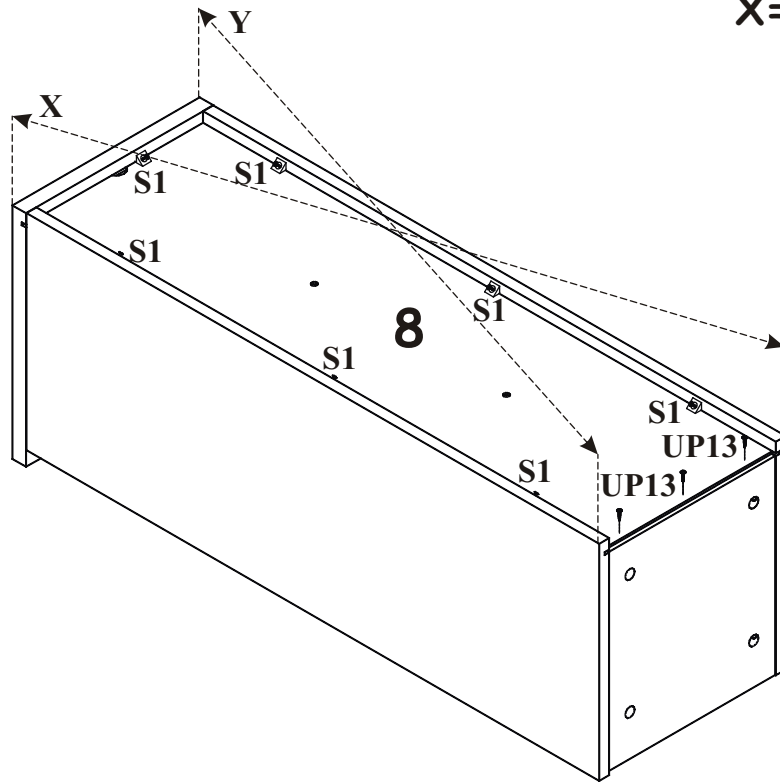
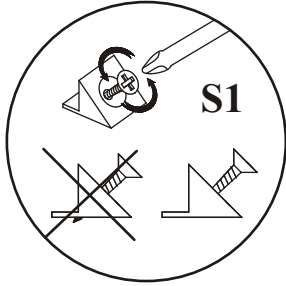


2

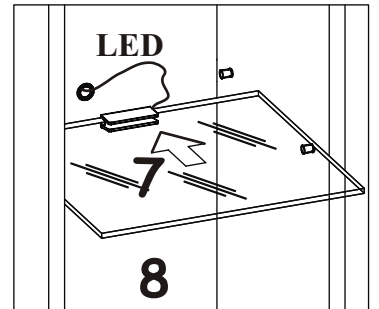
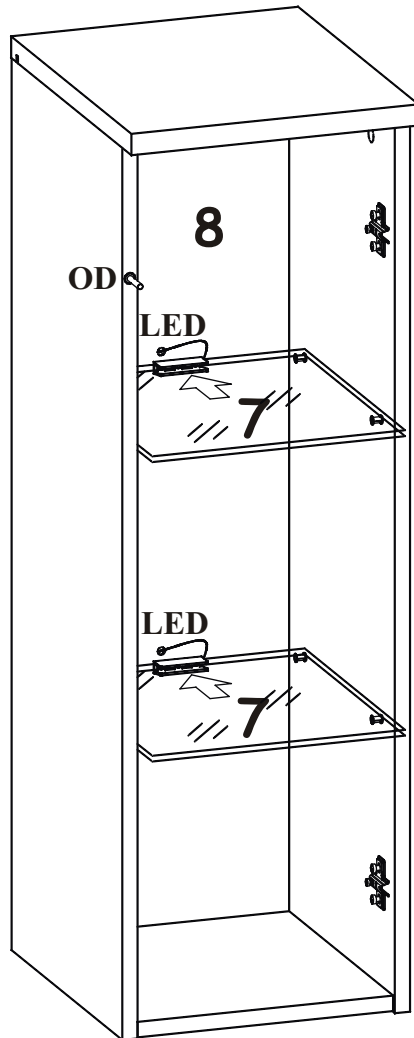
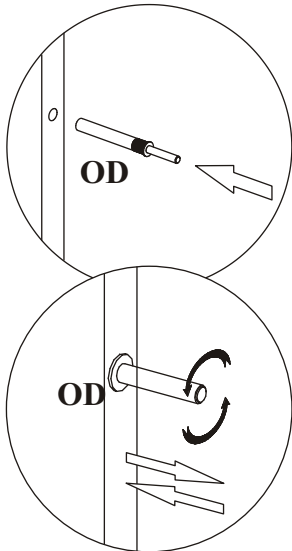


5

X=Y \uparrow 90°



6



7

