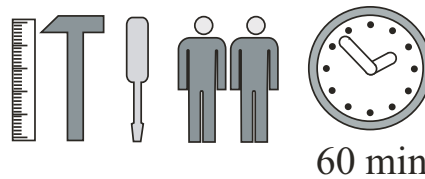
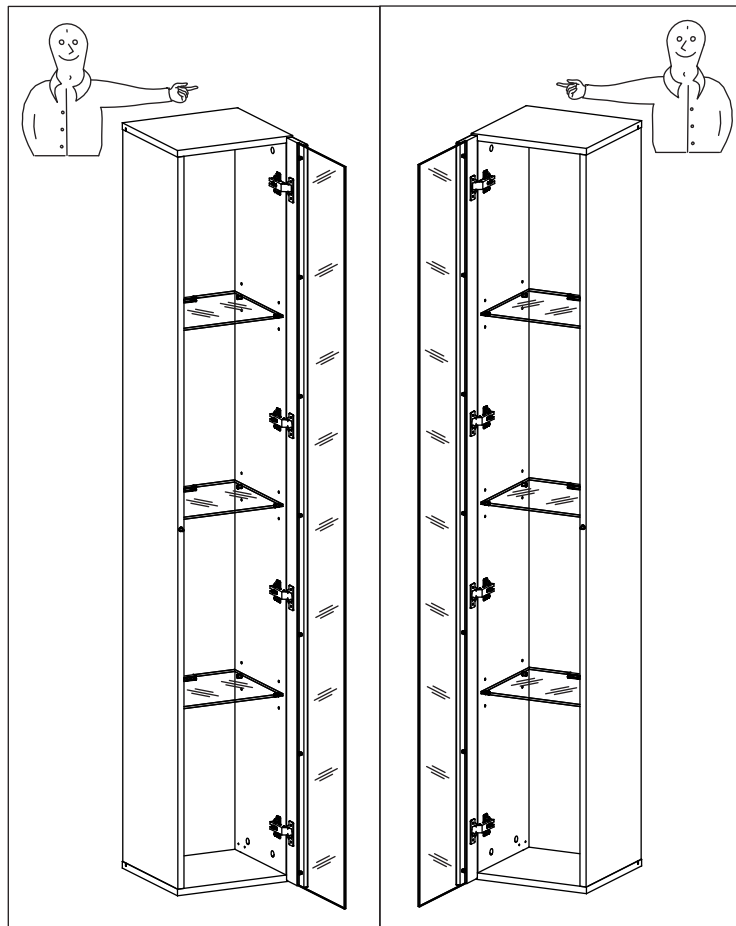
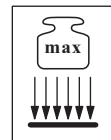
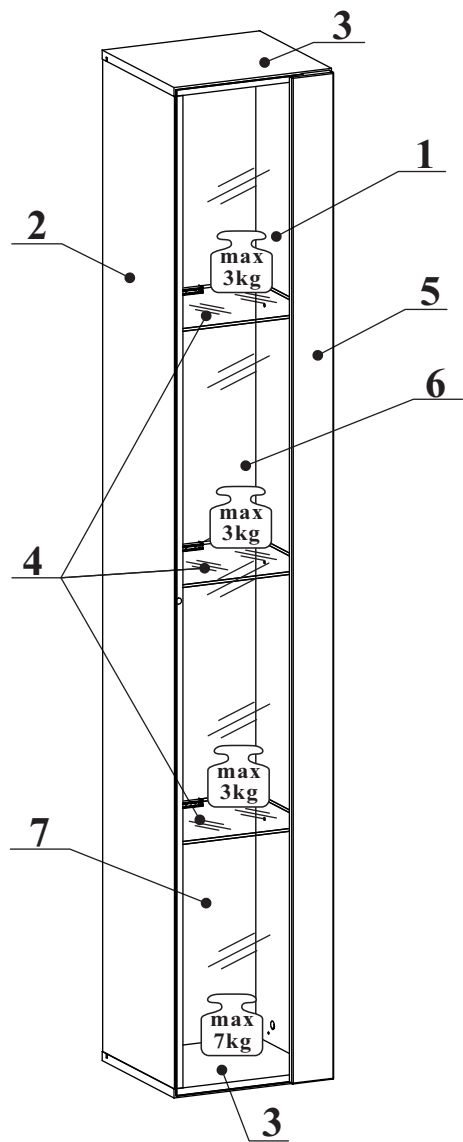


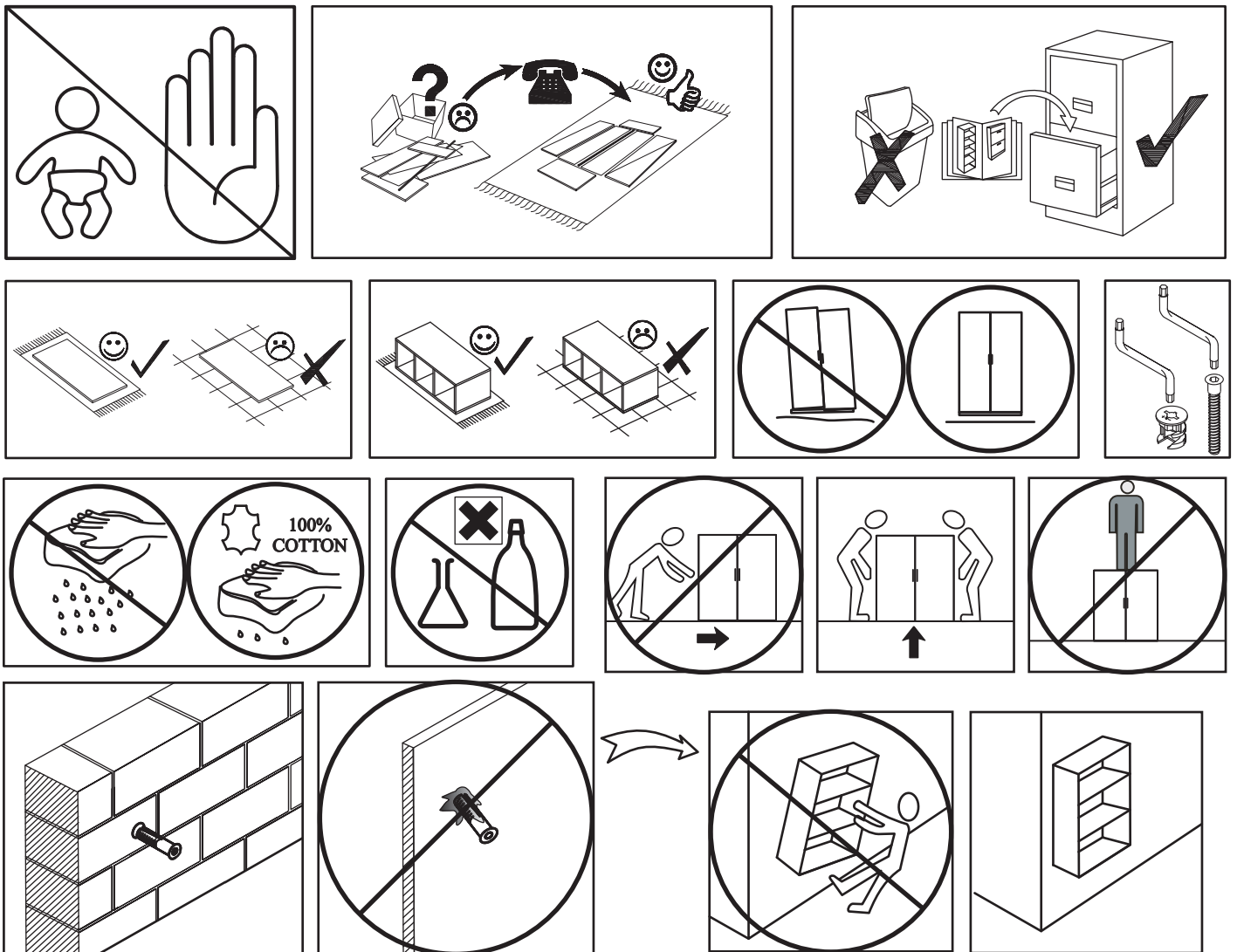
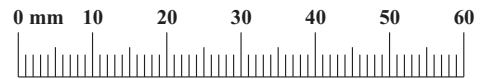
# SWITCH WW 1



NO	Dim.		Col.-No	Qty
1	1770	284	1	1
2	1770	284	1	1
3	302	284	1	2
4	266	249	1	3
5	80	1796	1	1
6	1794	241	1	1
7	1782	280	1	1

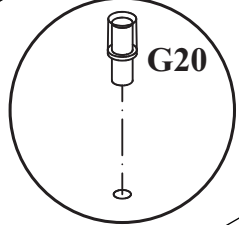
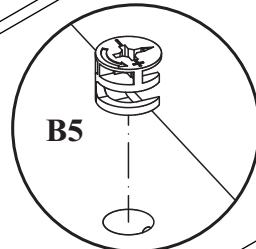
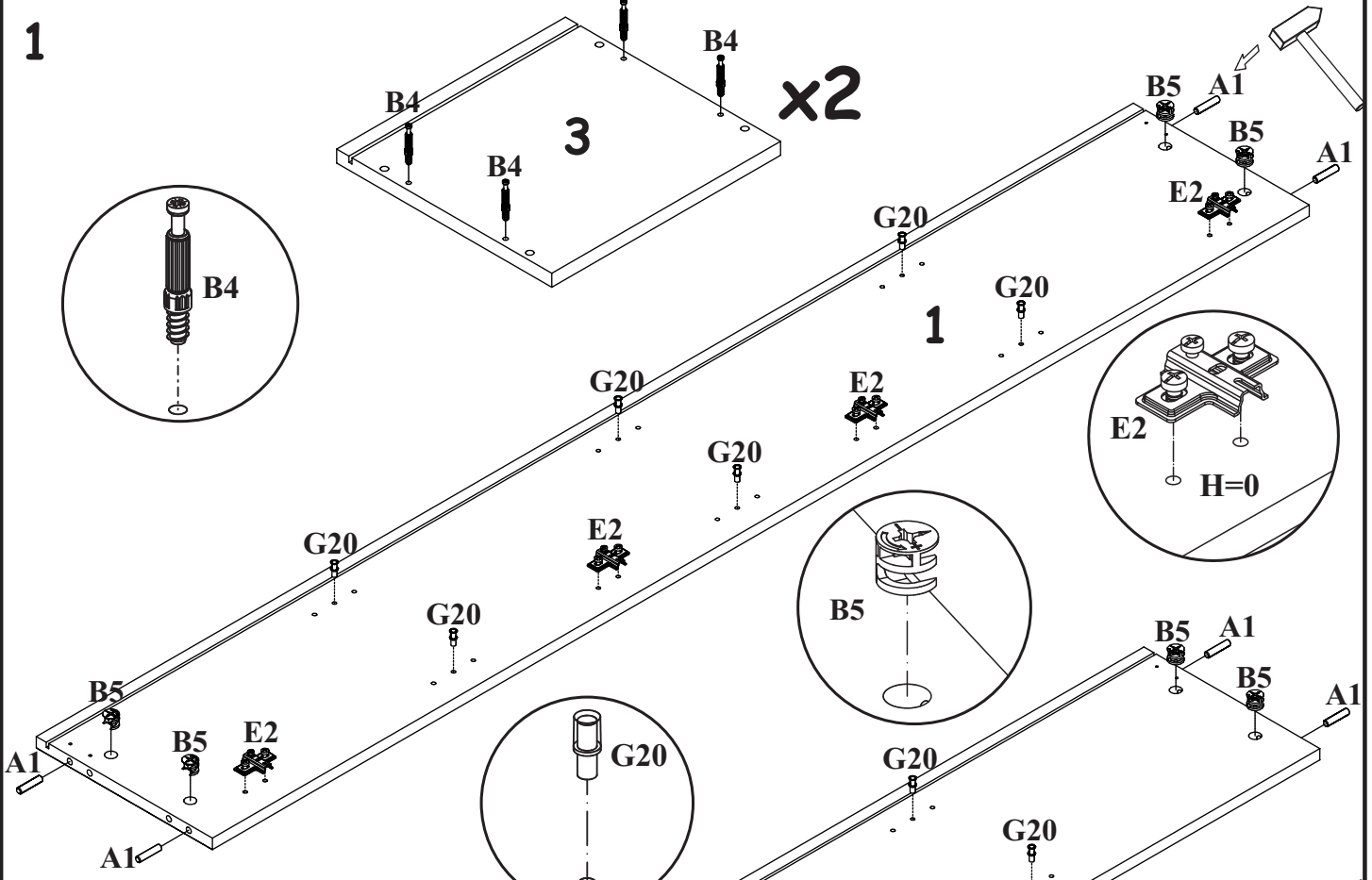
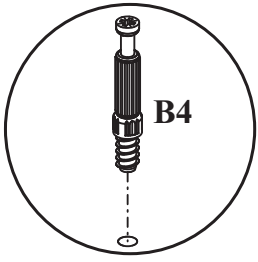
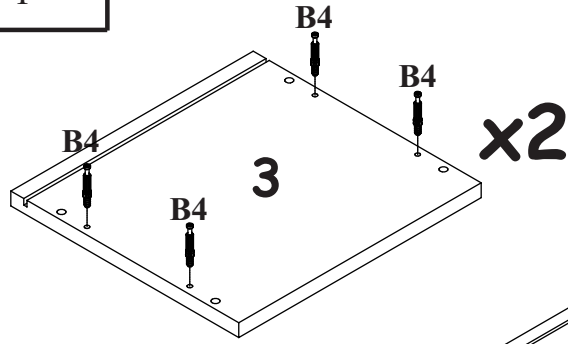
# SWITCH WW 1

A1 X8 ø8x36	B4 X8	G5 X8	B5 X8 ø15x12	ZR1 X2	D6 X4 USØ3,5x30
E1 X4 Ø26 H=0	E2 X4 H=0	D10 X8 USØ3,5x13	G20 X12	P2 X7	UP13 X7 UPØ3x16
OD X1 L=71,5	S1 X10	KR2 X2	G2 X1	LED X1 X3	

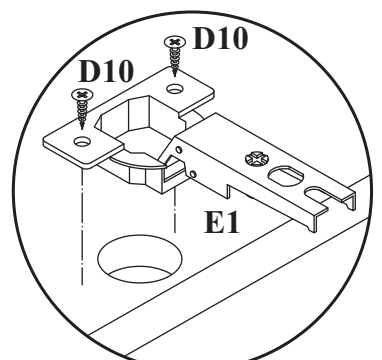
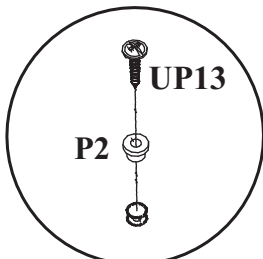
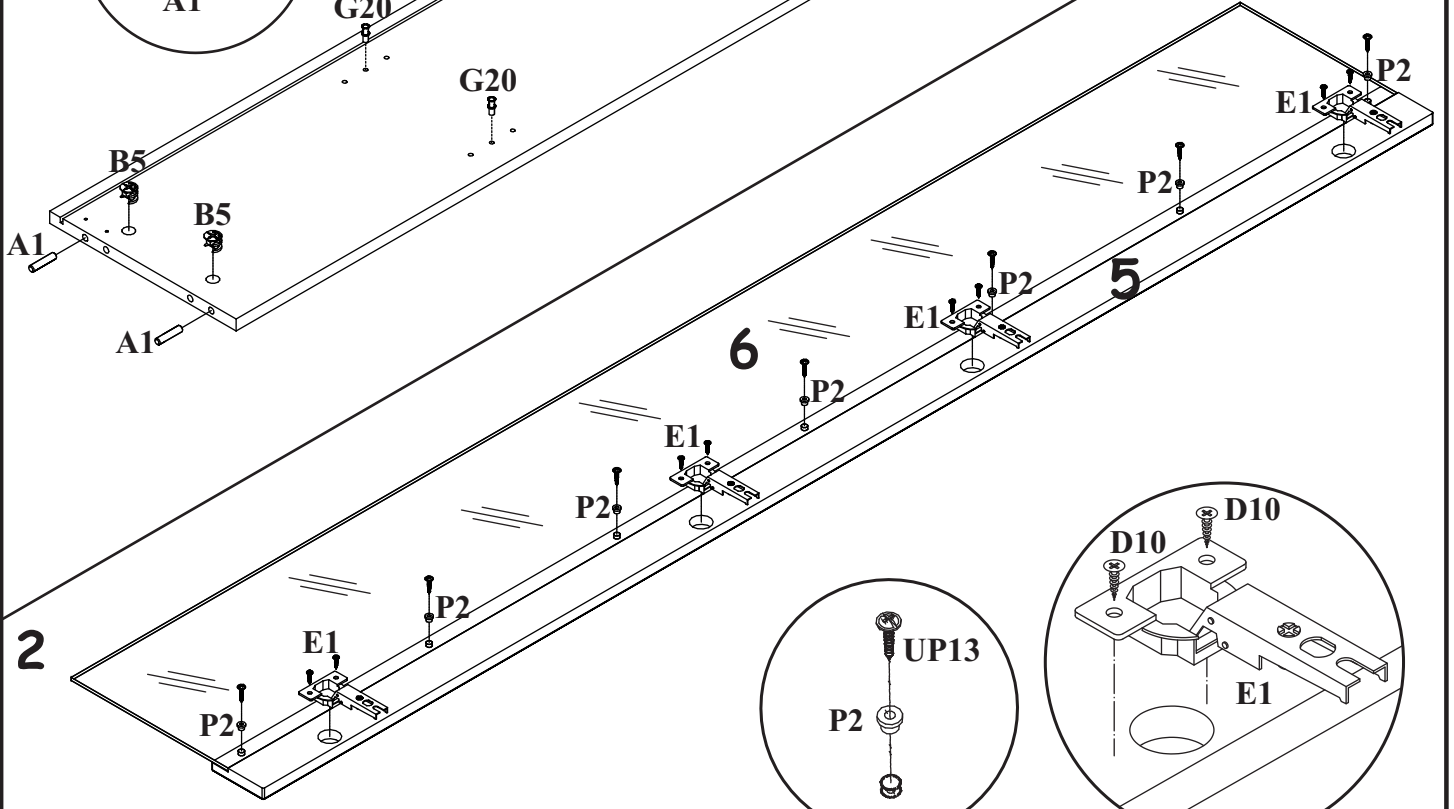
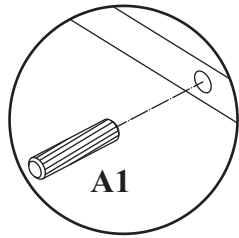
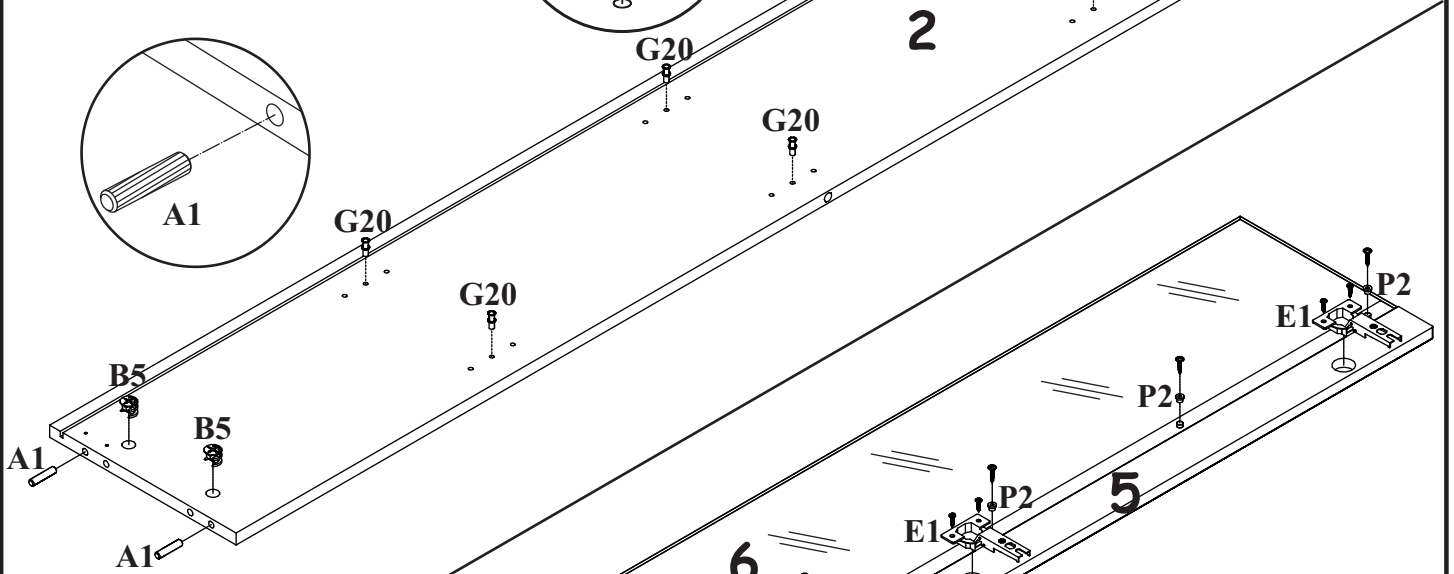


SWITCH WW 1

1



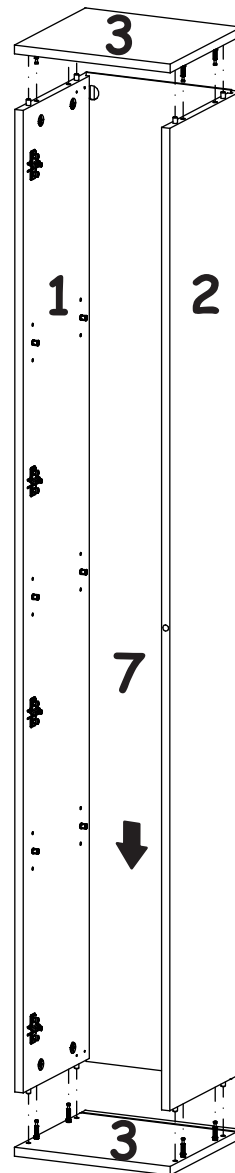
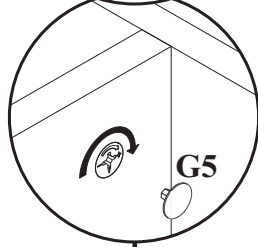
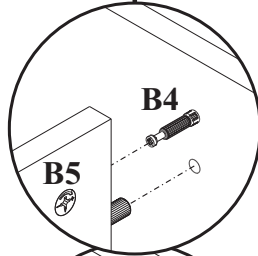
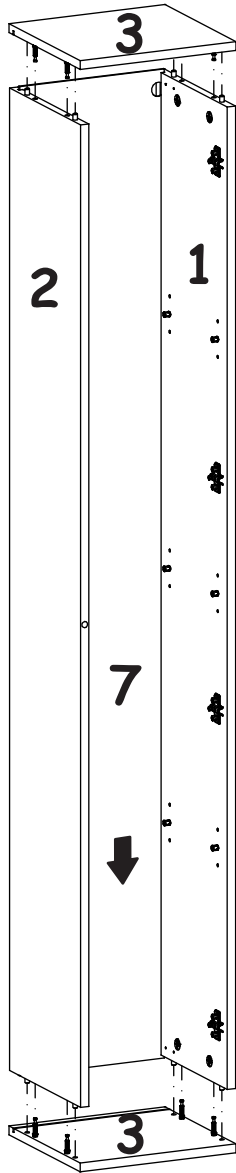
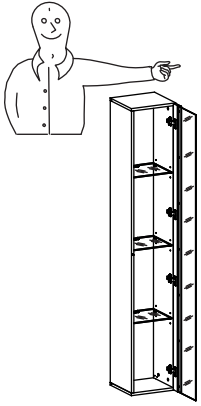
2



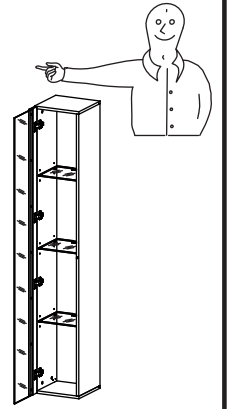
2

SWITCH WW 1

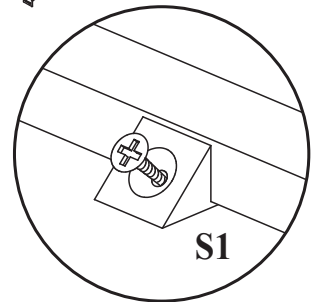
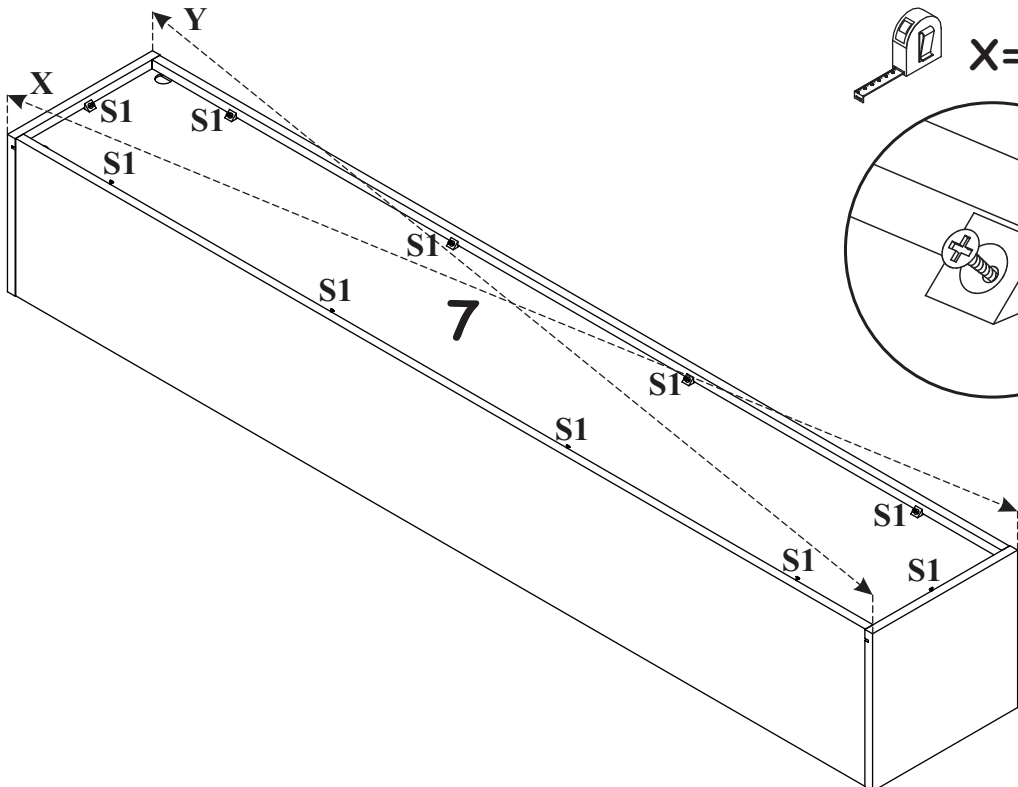
3



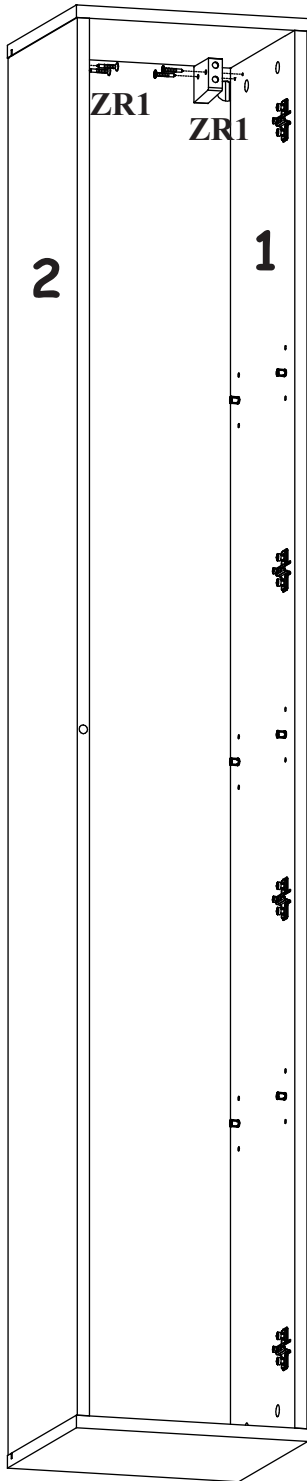
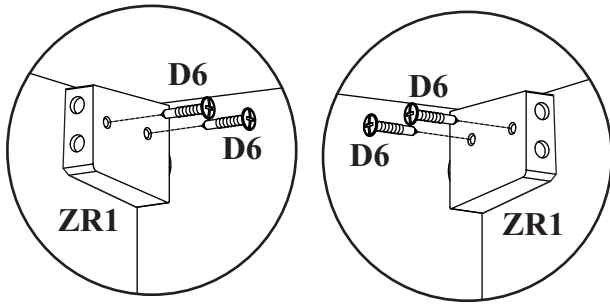
3



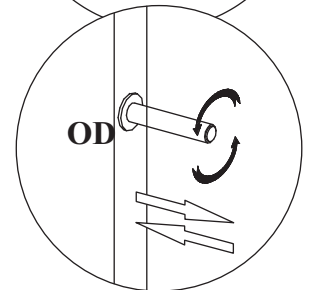
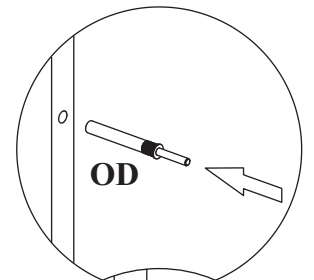
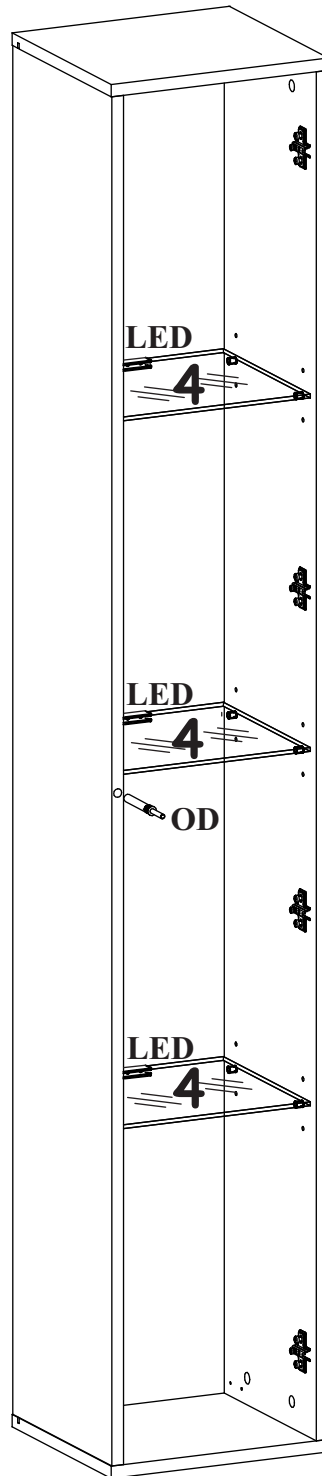
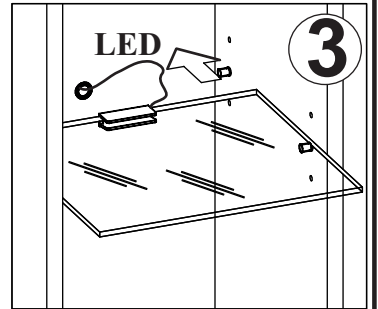
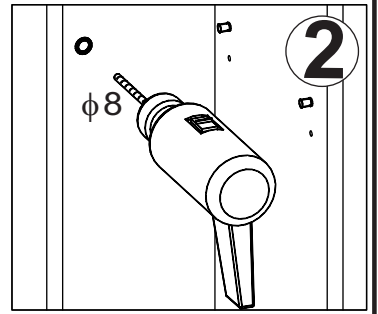
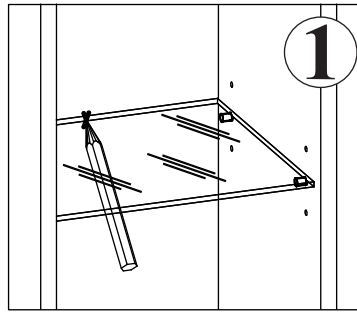
4



5

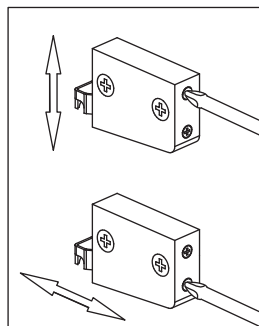
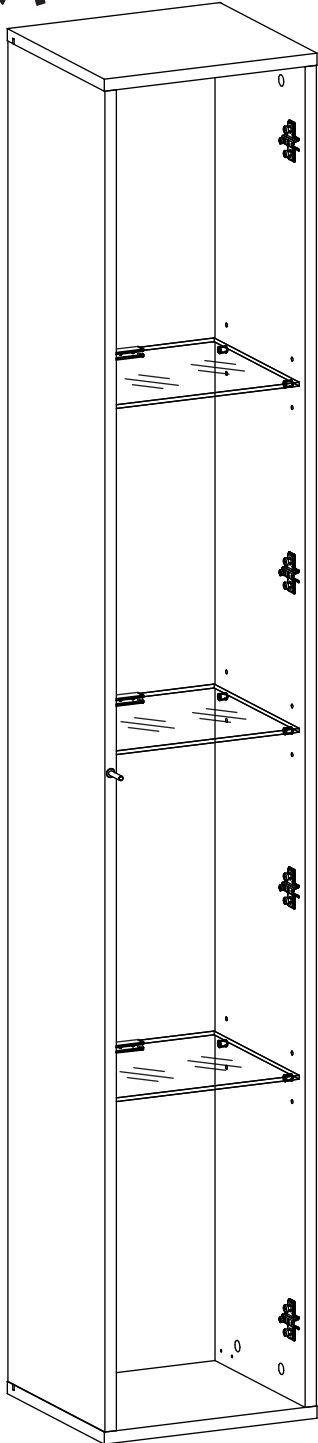
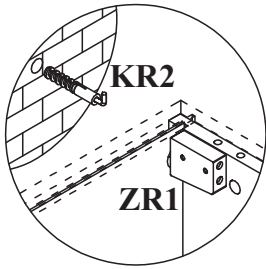
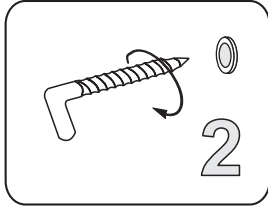
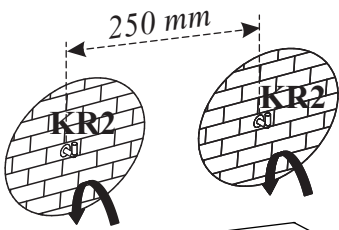
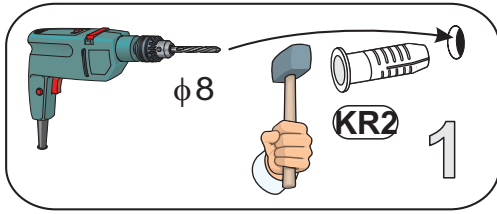


6

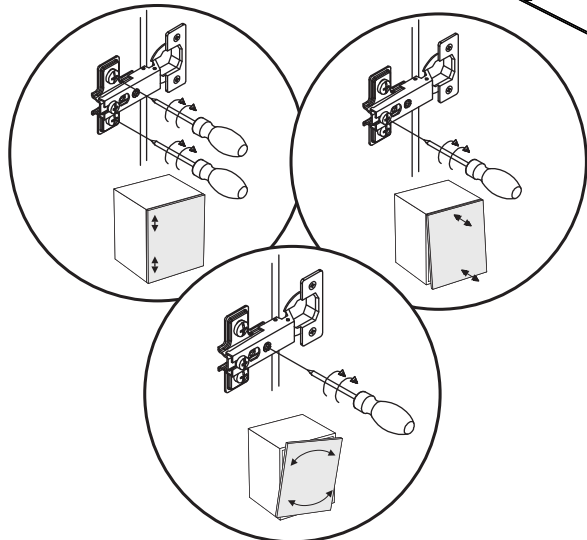
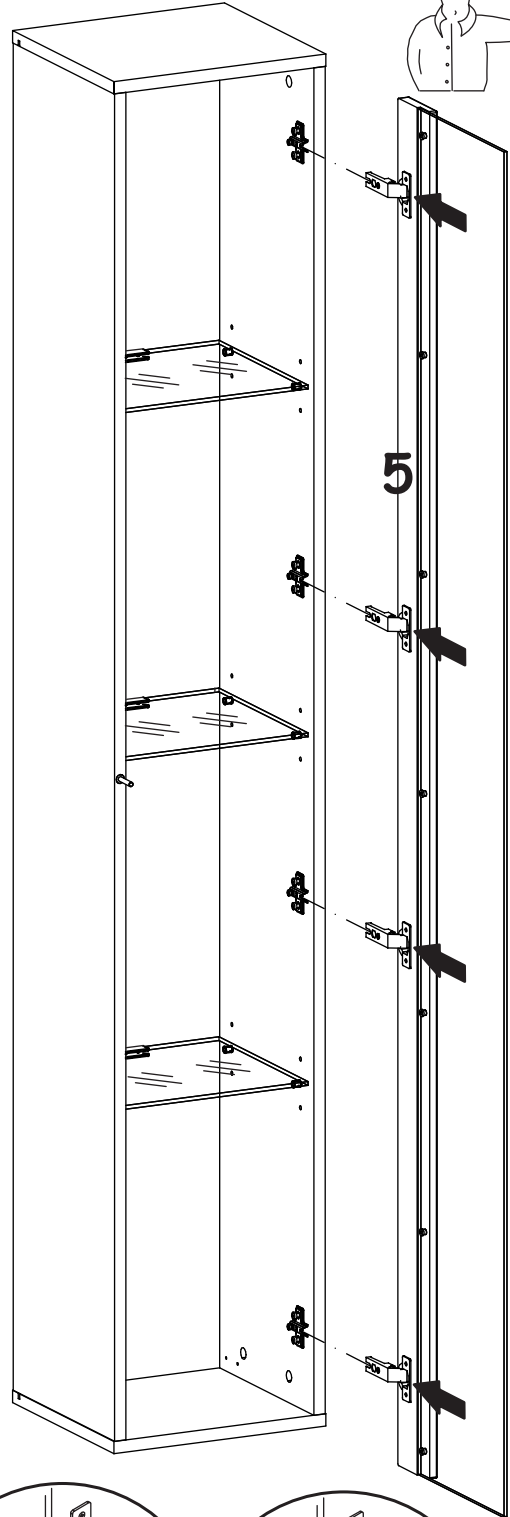


SWITCH WW 1

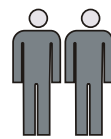
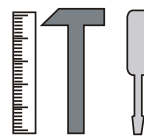
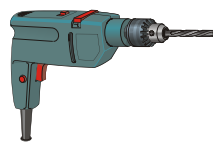
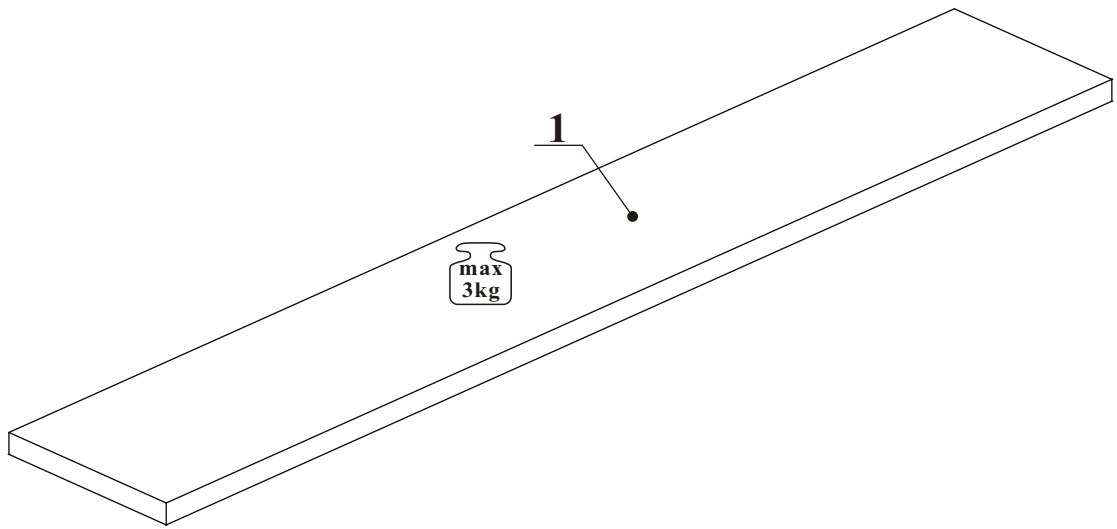
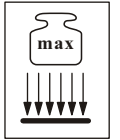
7



8



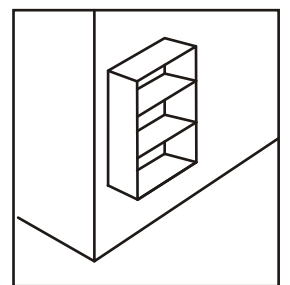
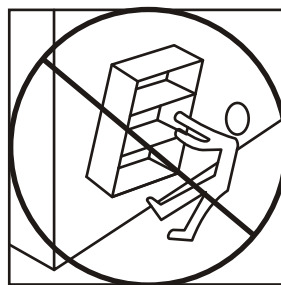
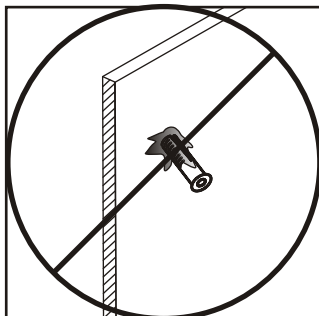
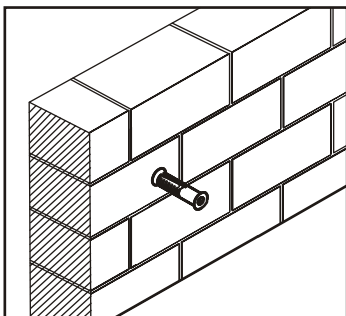
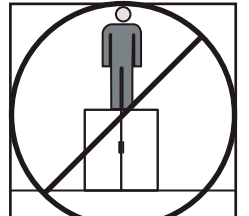
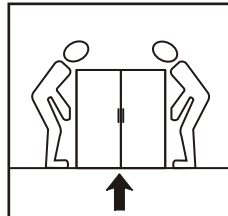
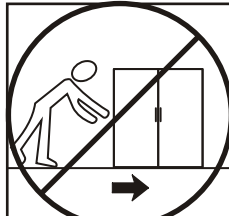
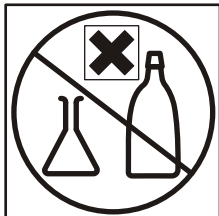
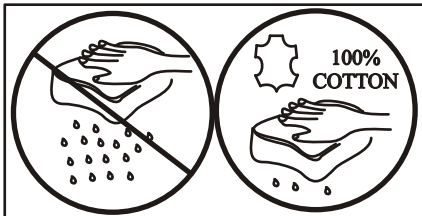
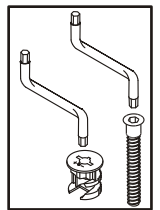
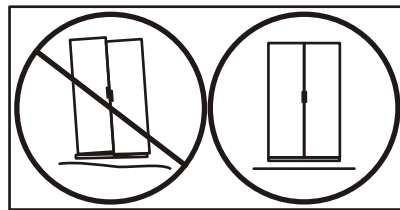
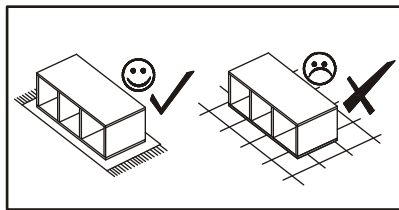
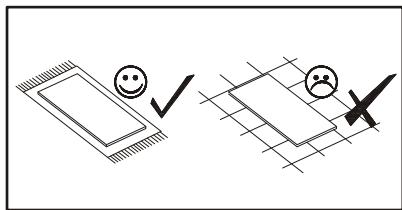
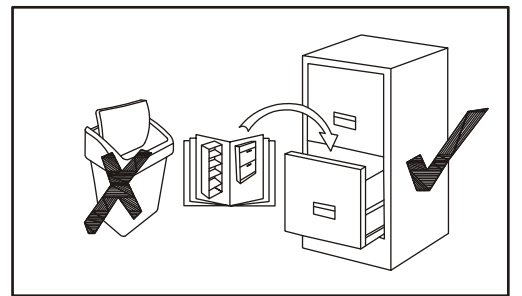
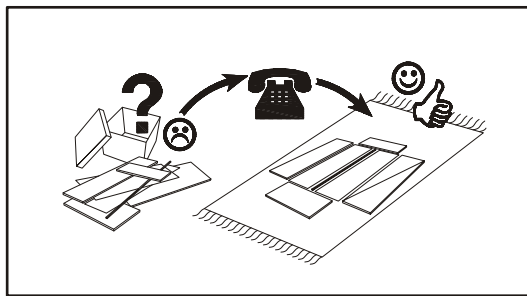
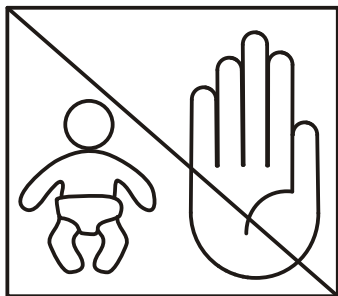
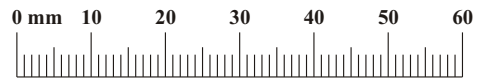
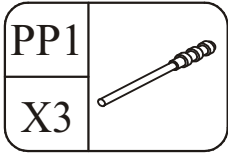
# SWITCH PW 2



10 min

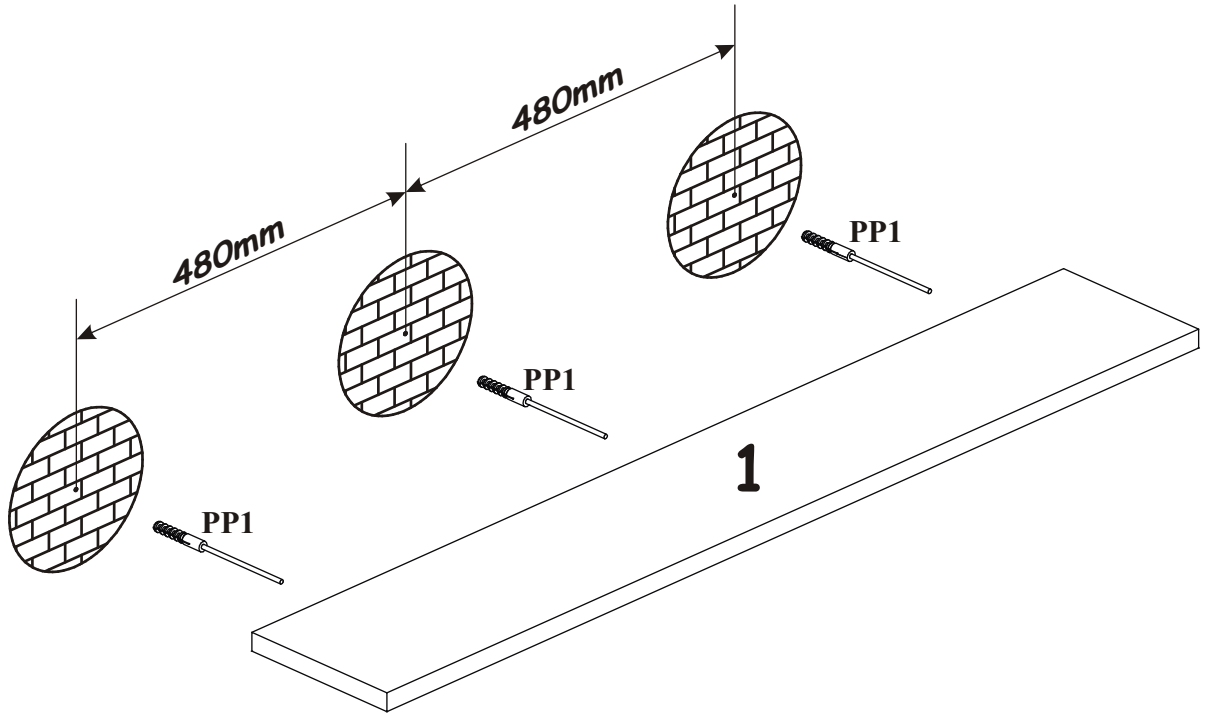
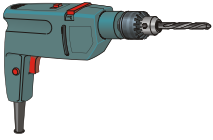
NO	Dim.		Col.-No	Qty
1	1202	200	1	1

SWITCH PW 2

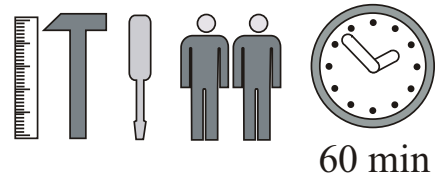
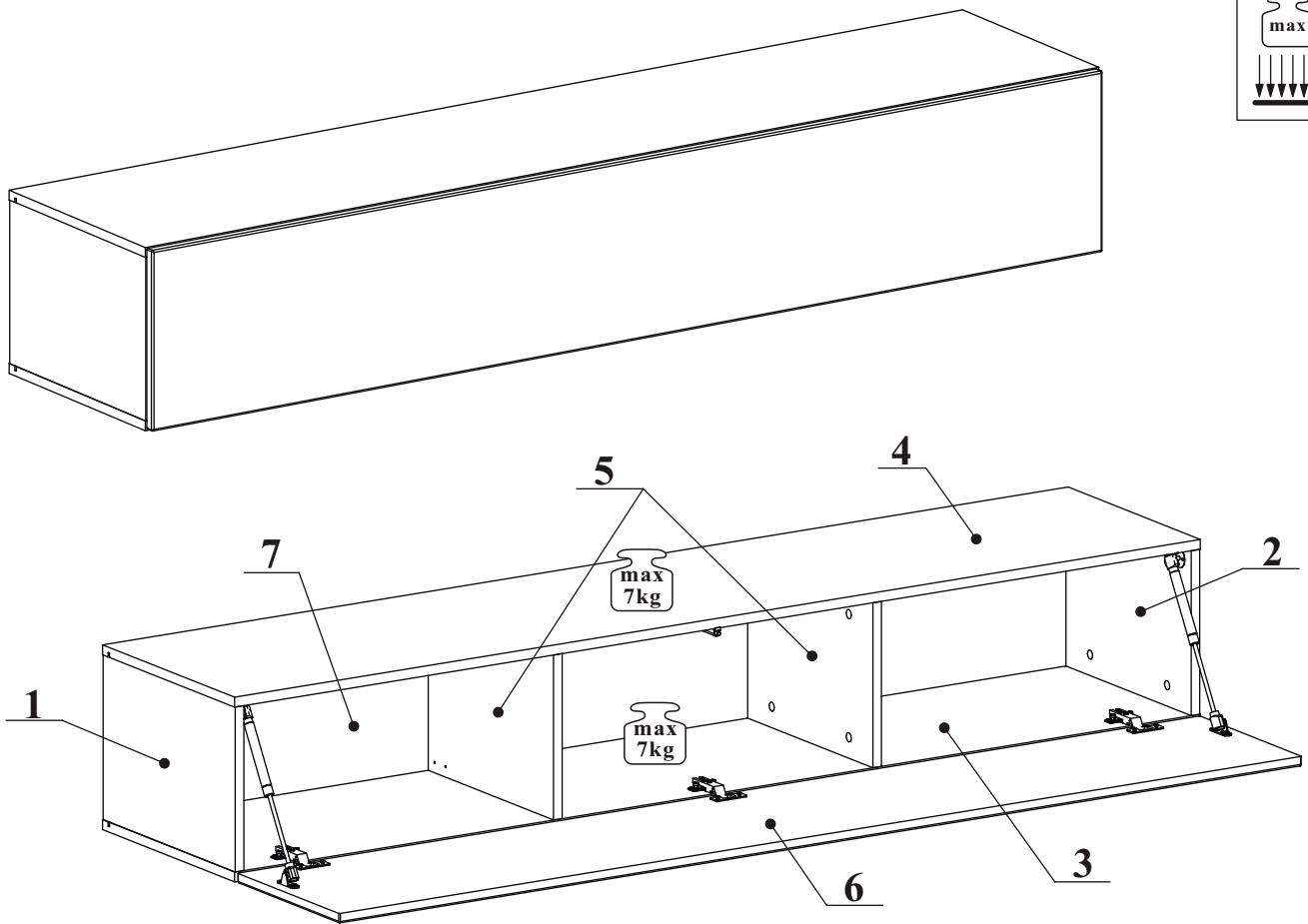
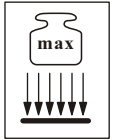




SWITCH PW 2



# SWITCH RTV 1

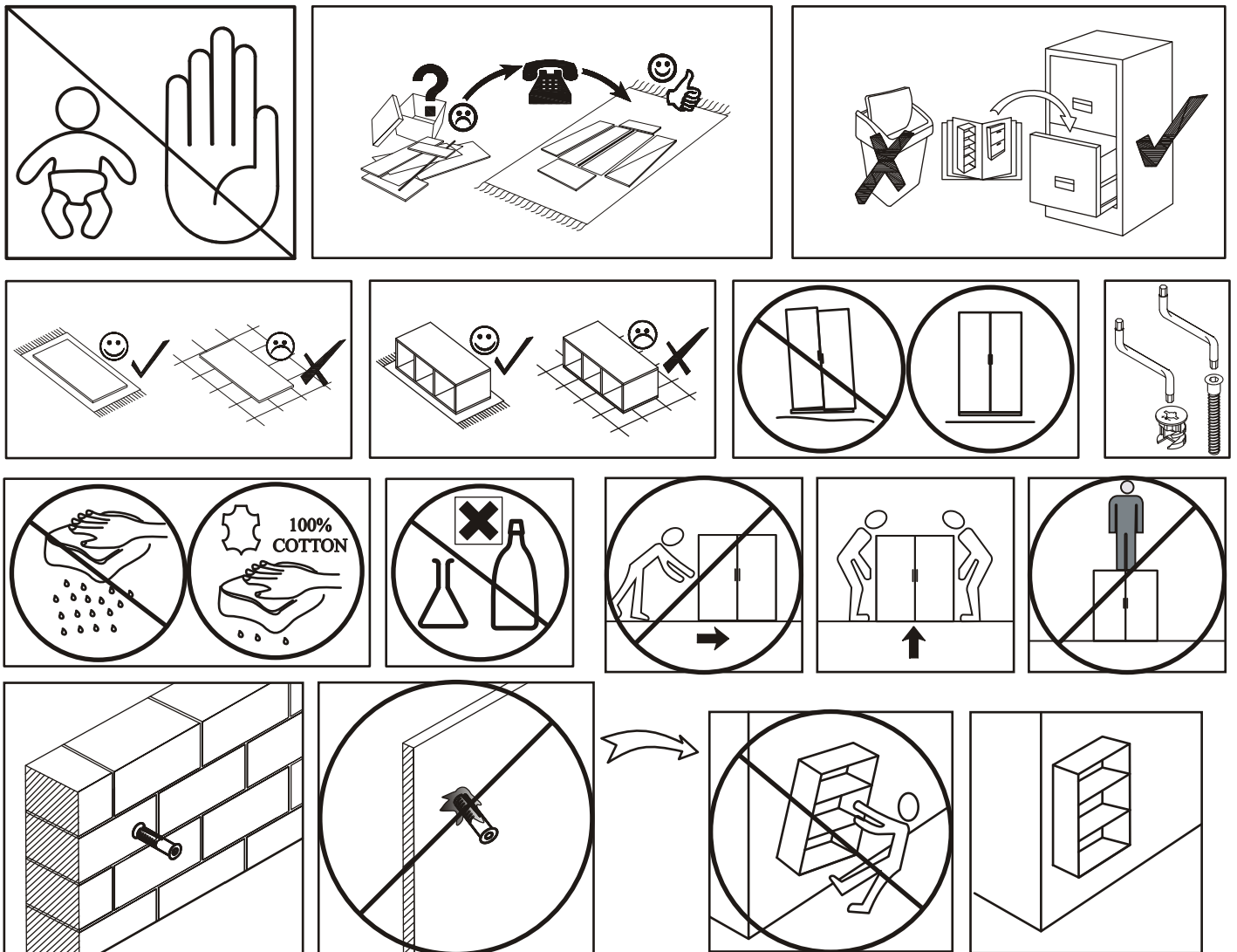
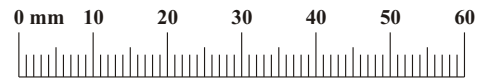


60 min

NO	Dim.		Col.-No	Qty
1	268	384	1	1
2	268	384	1	1
3	1802	384	1	1
4	1802	384	1	1
5	268	364	1	2
7	1780	280	1	1
6	1796	296	1	1

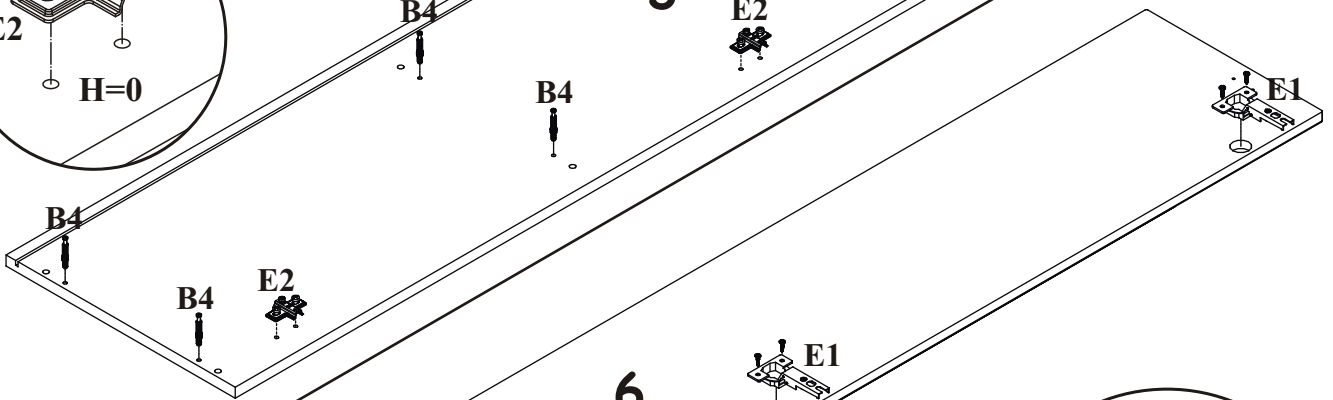
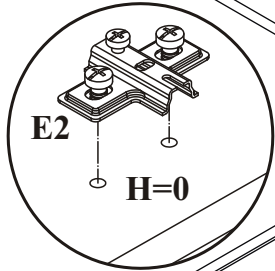
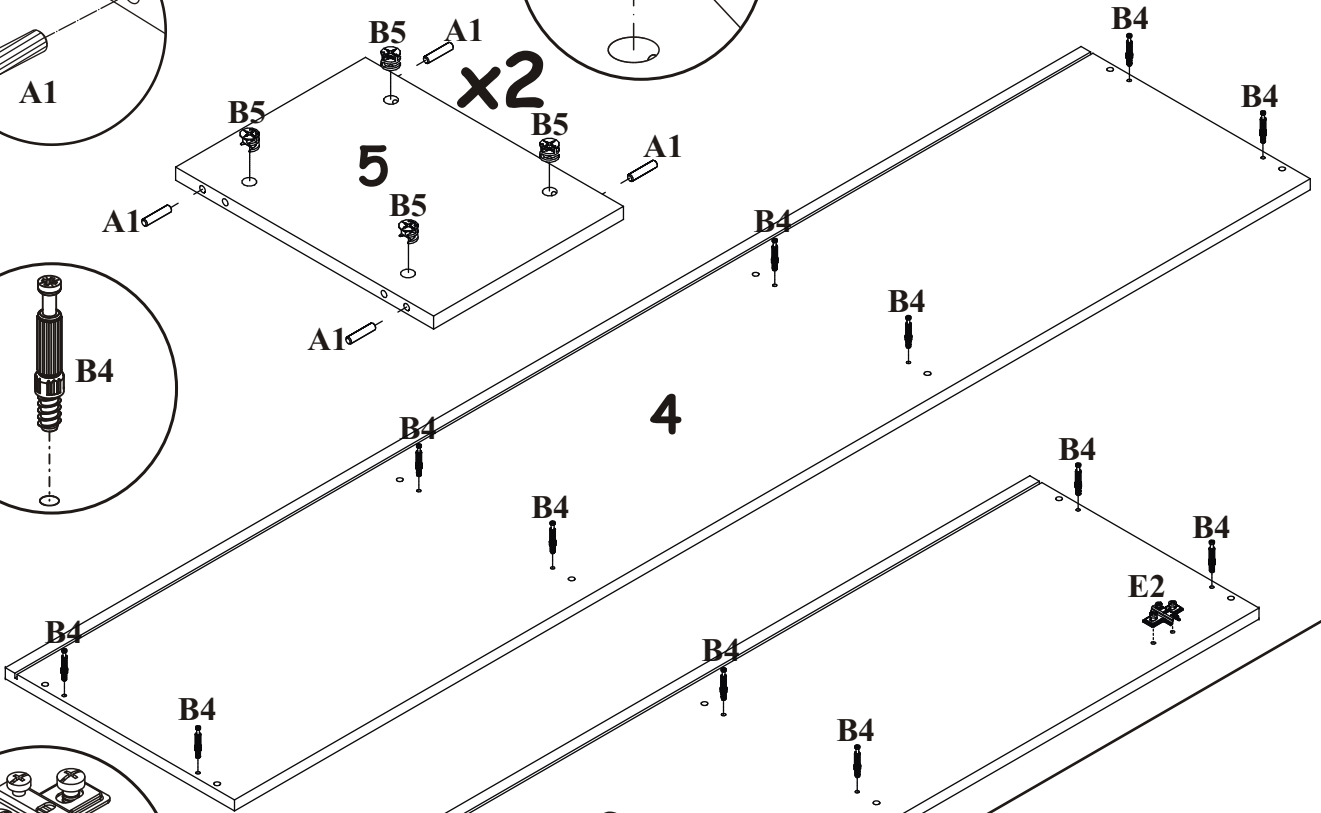
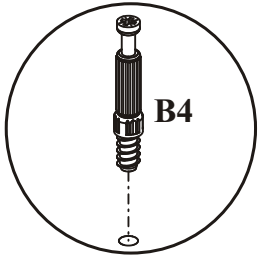
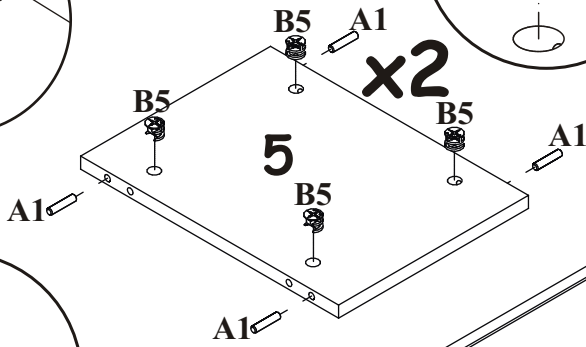
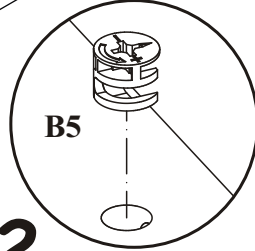
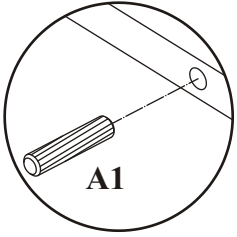
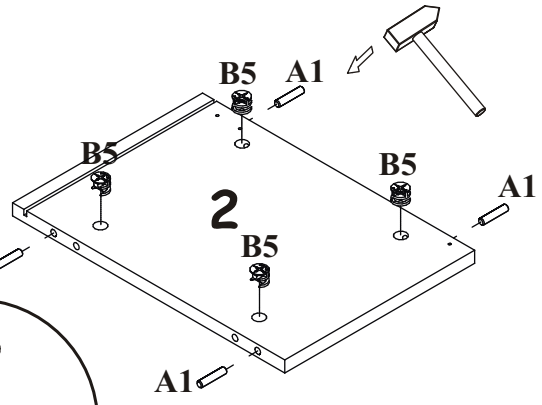
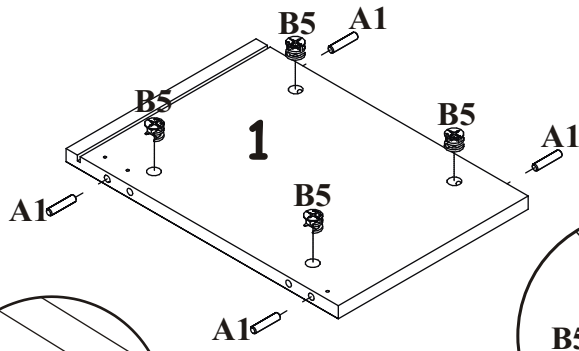
# SWITCH RTV 1

A1 X16 ø8x36	B4 X16	G5 X16	B5 X16 ø15x12	ZR1 X4	D6 X8 USØ3,5x30
E1 X3 Ø26 H=0	E2 X3 H=0	D10 X12 USØ3,5x13	OD1 X1	S1 X12	BP1 X2
KR2 X4	G2 X1				

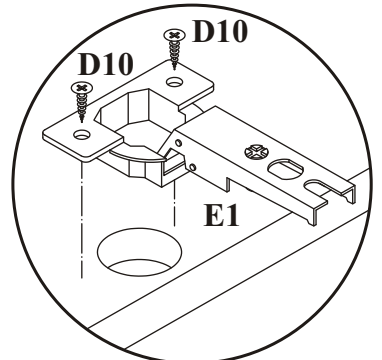
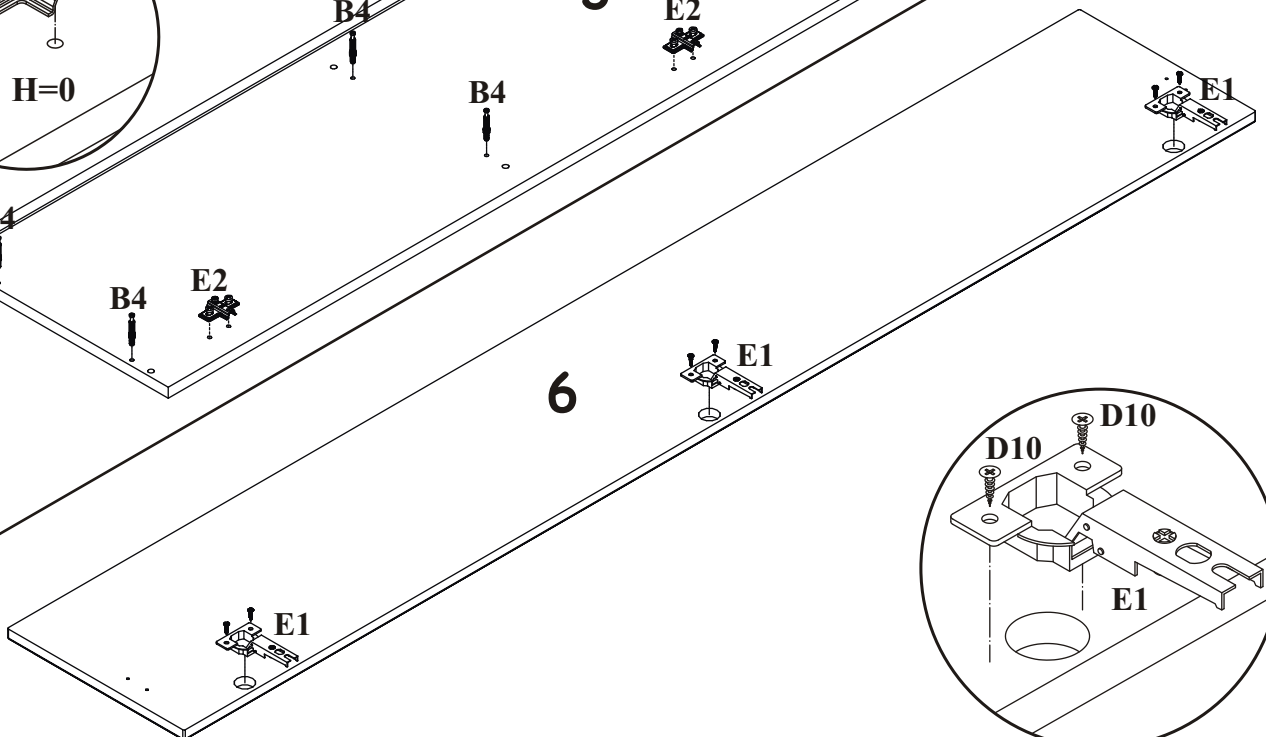


# SWITCH RTV 1

1

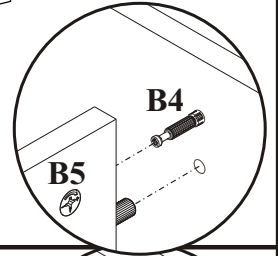
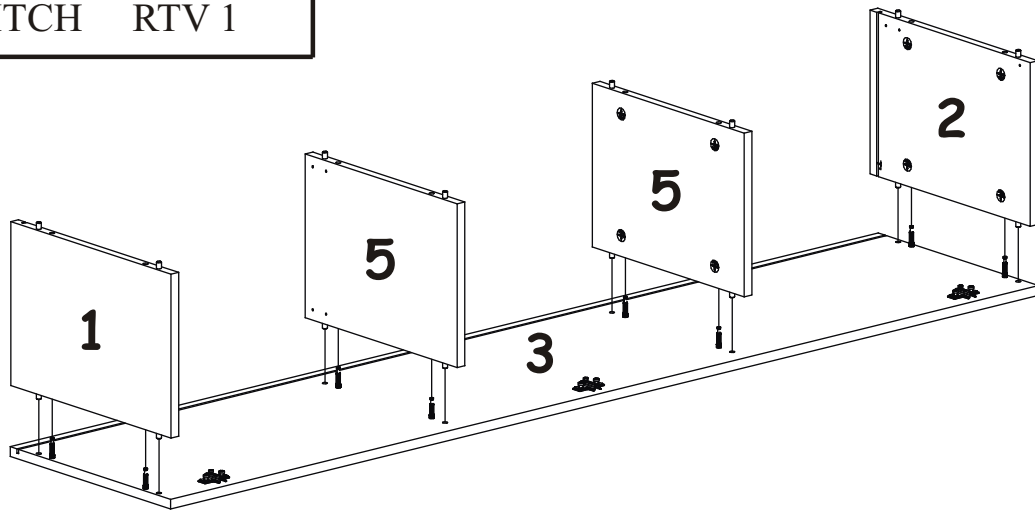


2

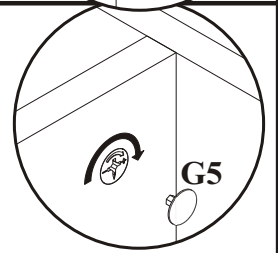
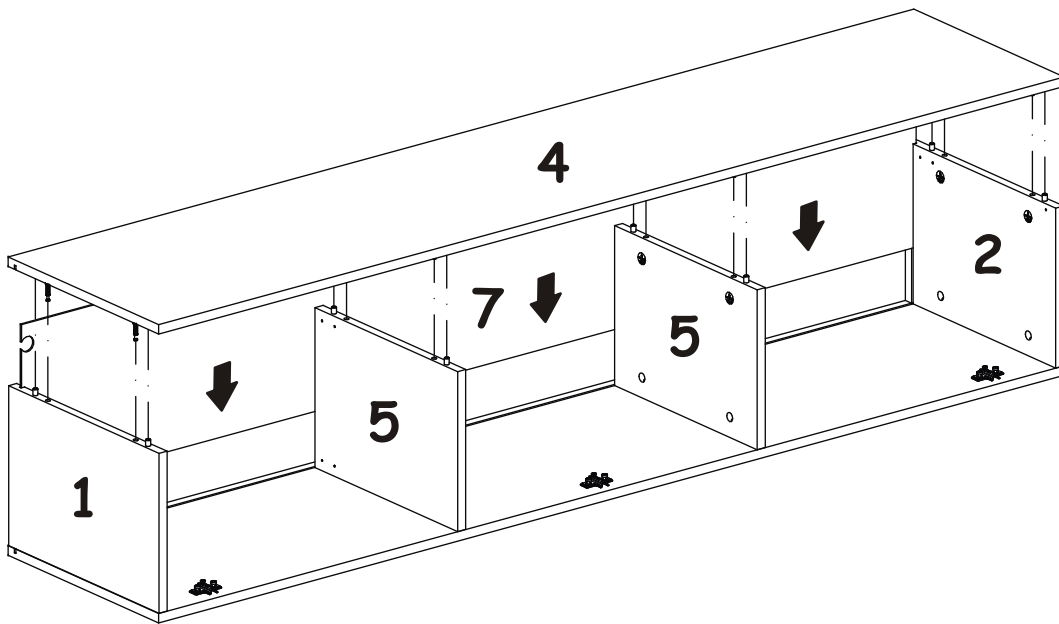


SWITCH RTV 1

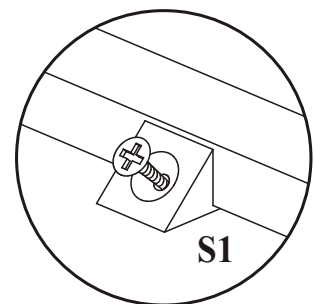
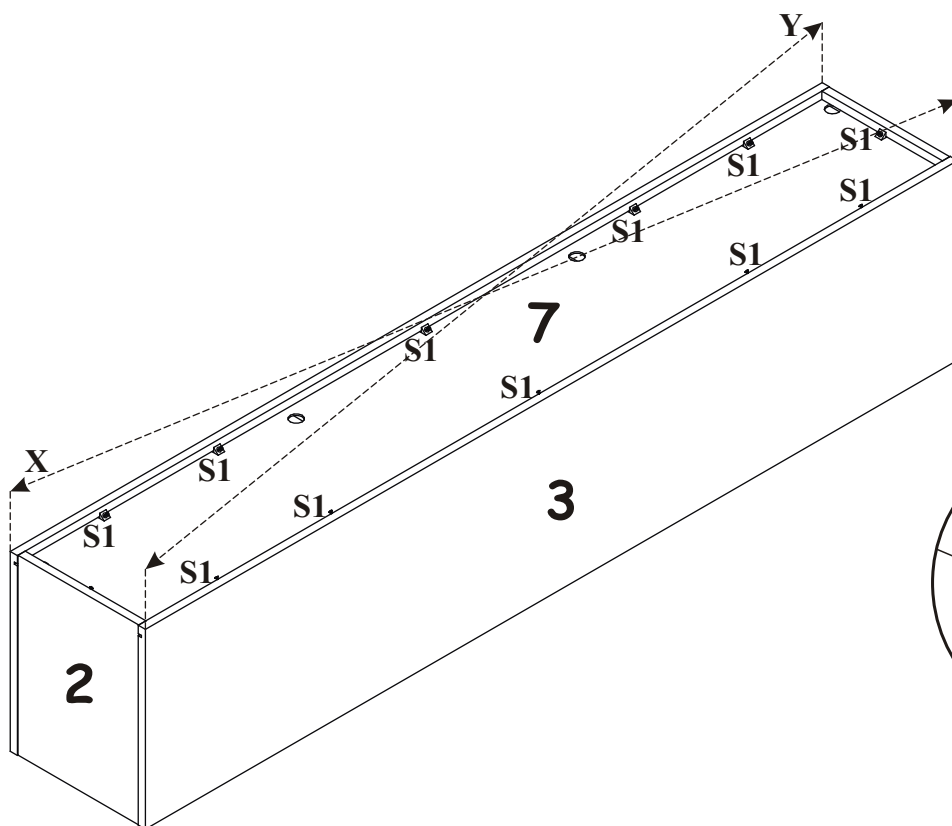
3



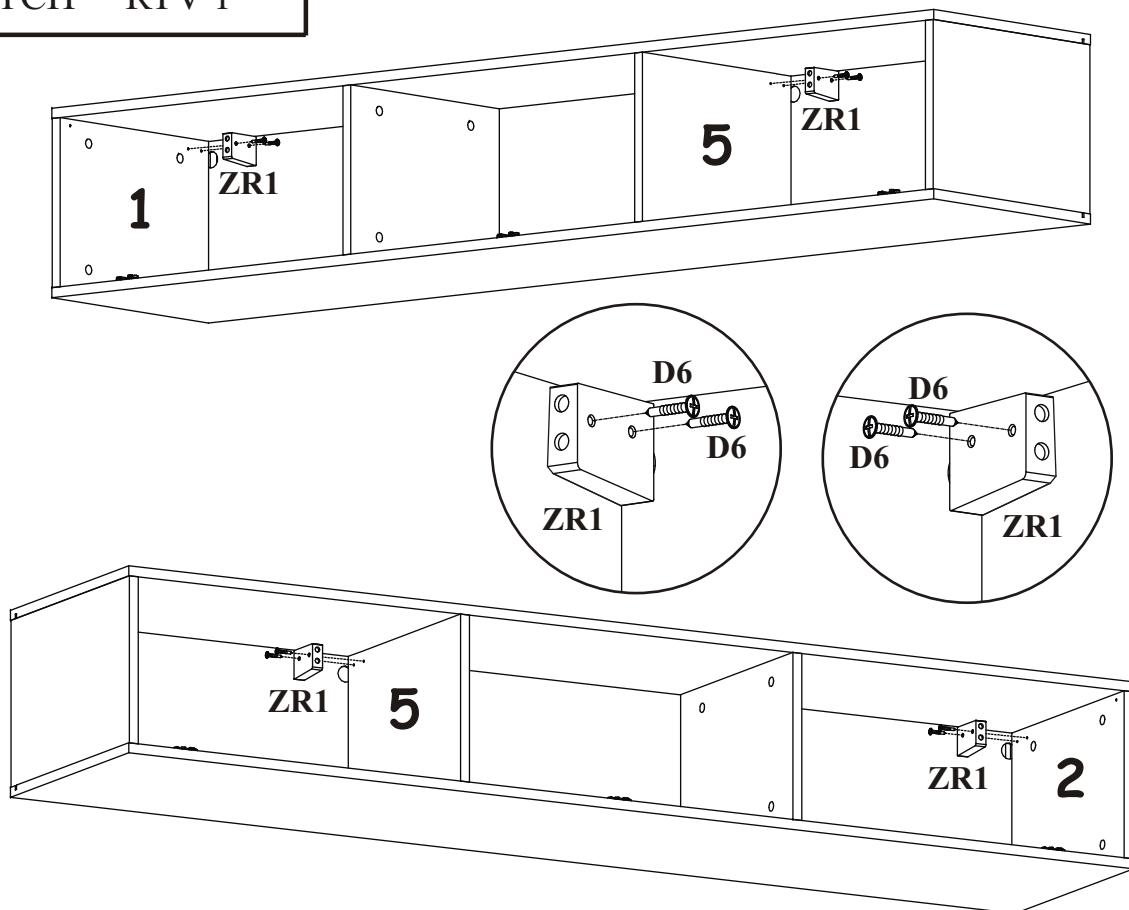
4



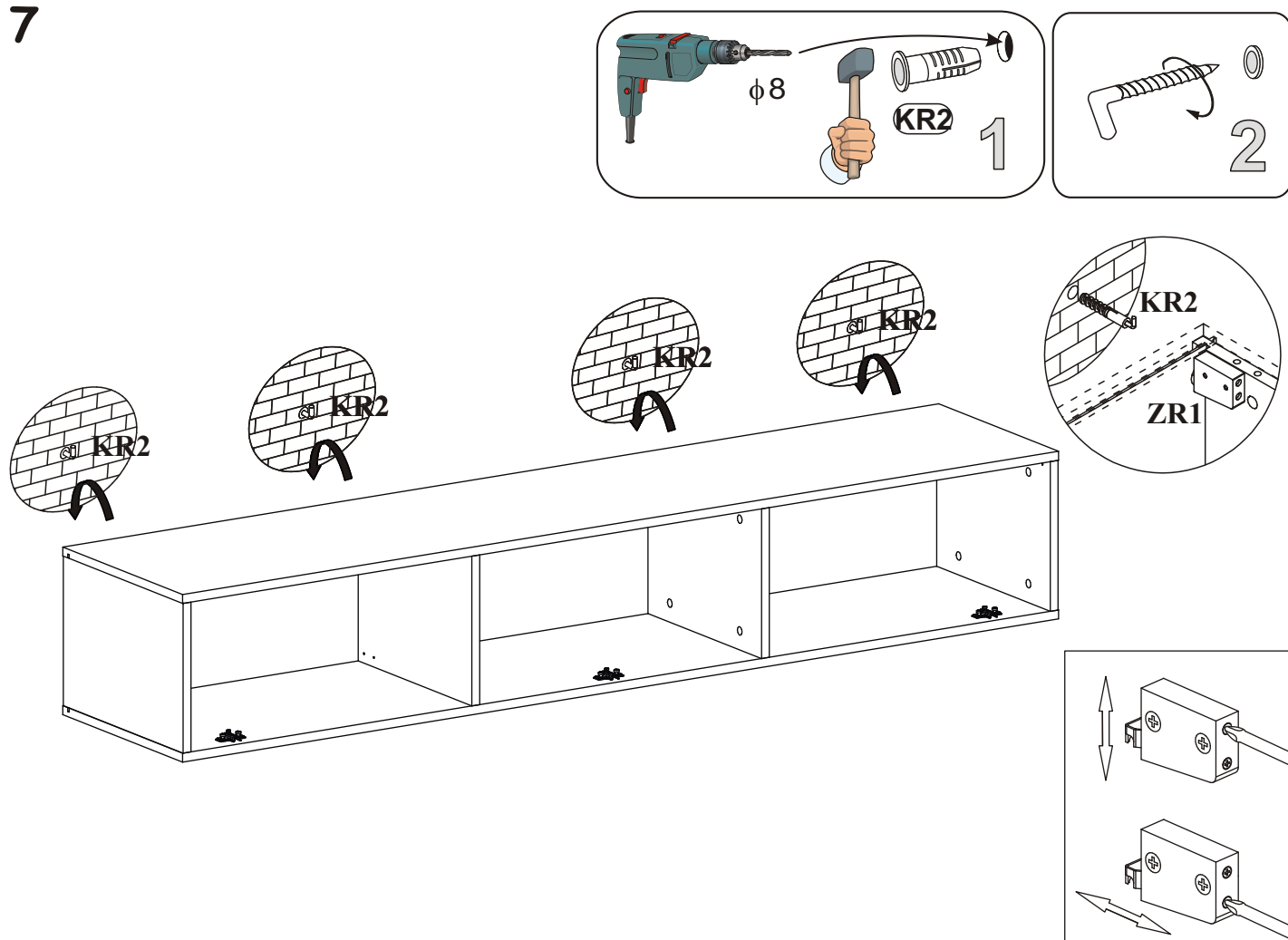
5



6

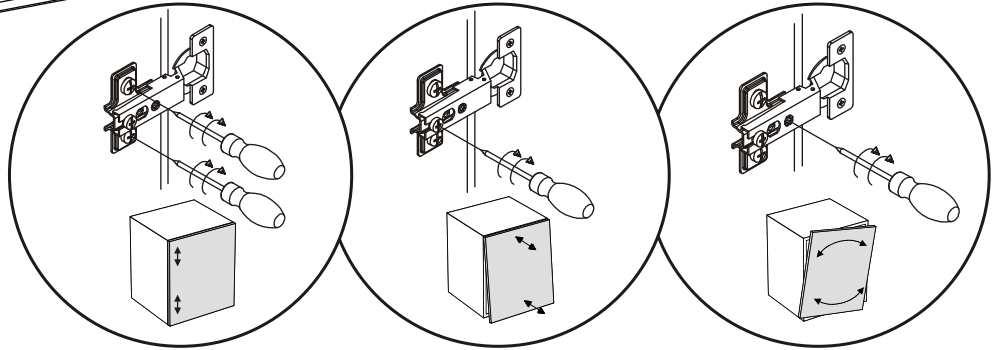
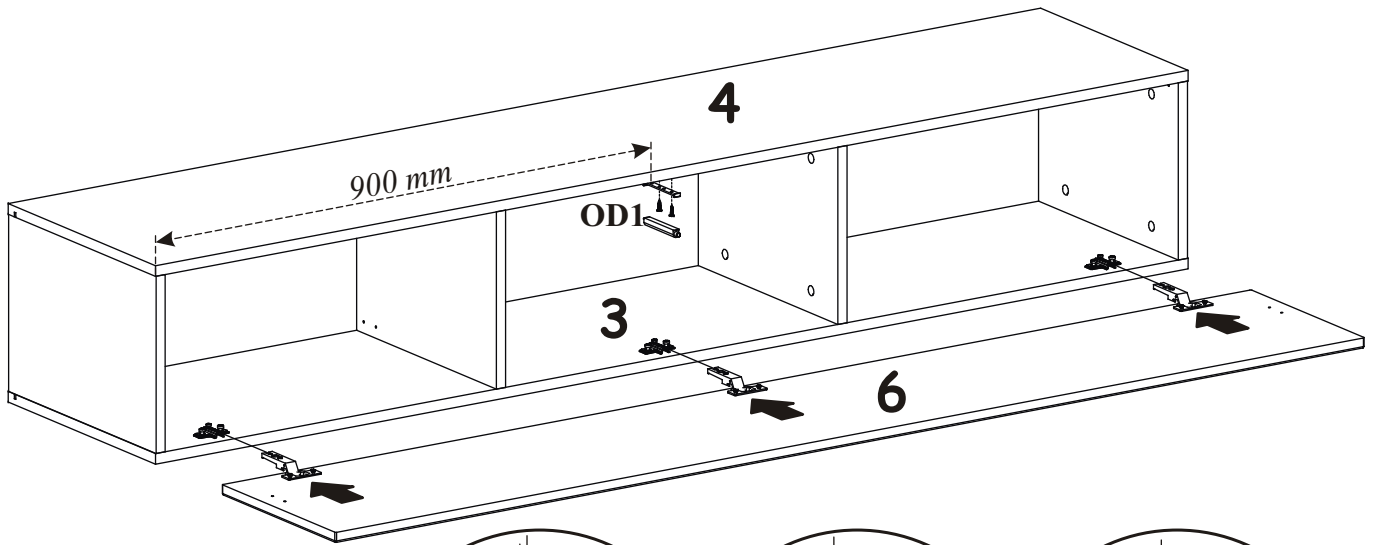
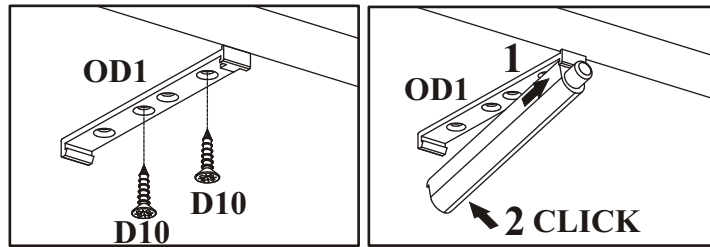


7

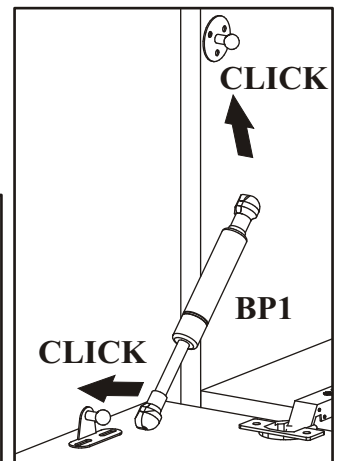
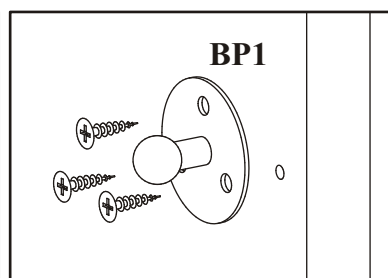
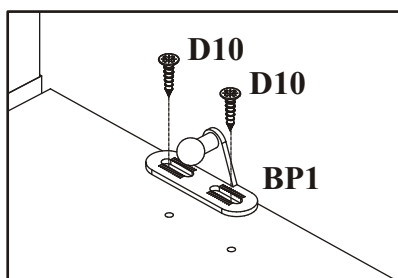
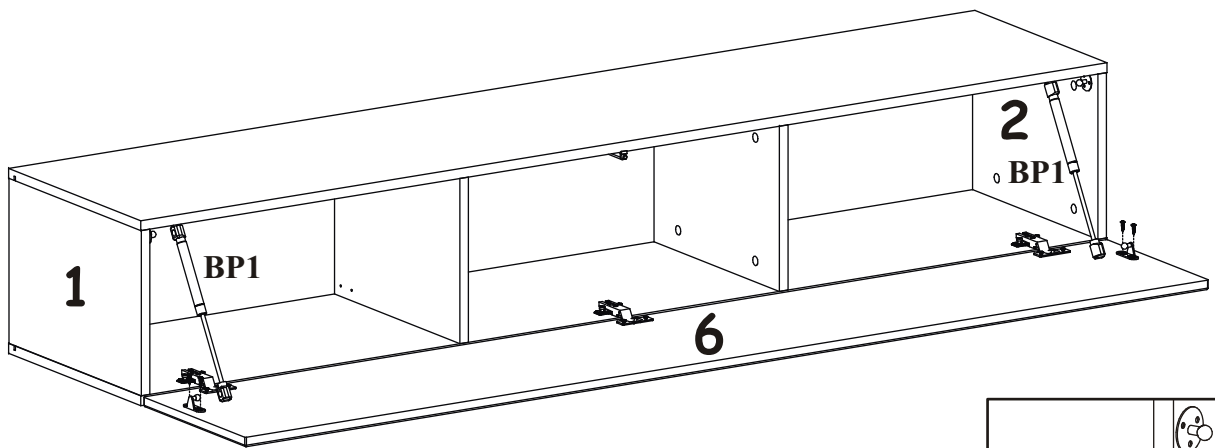


SWITCH RTV 1

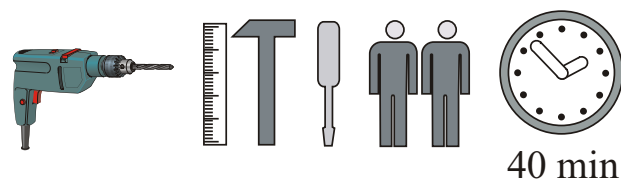
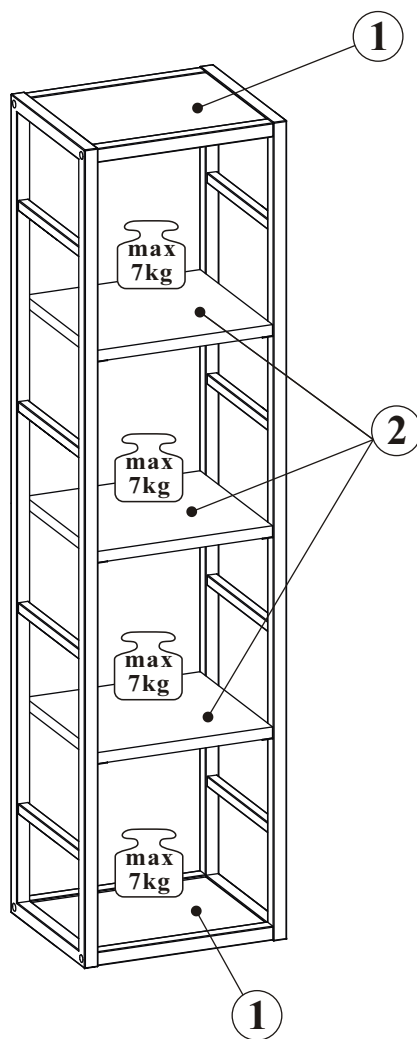
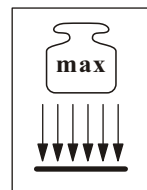
8



9




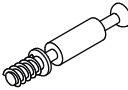







# SWITCH 27\_SW RM2

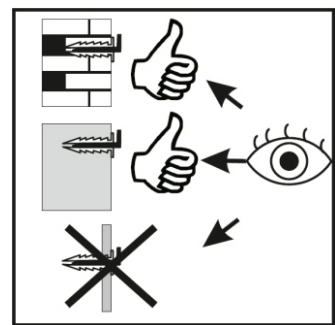
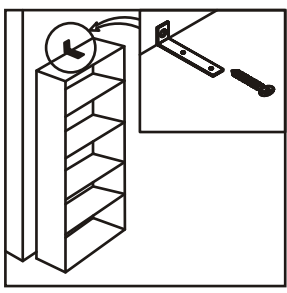
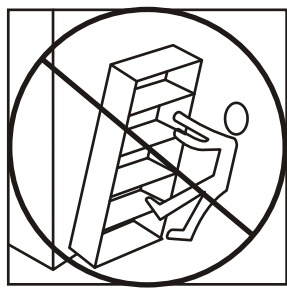
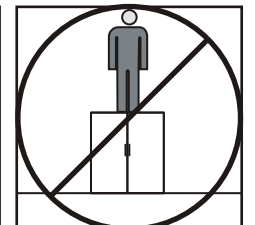
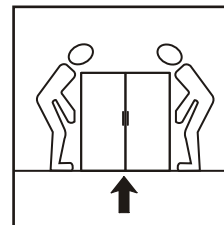
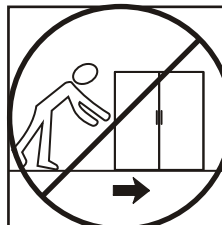
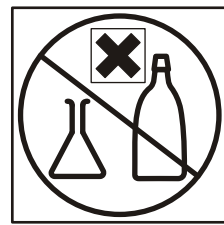
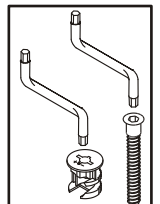
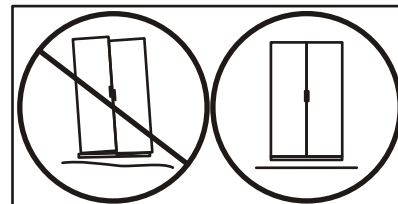
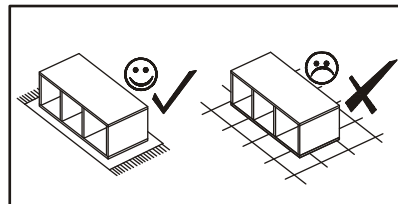
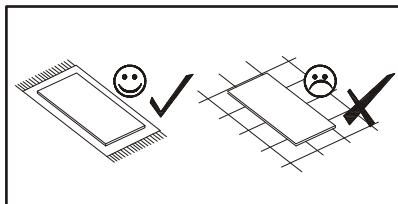
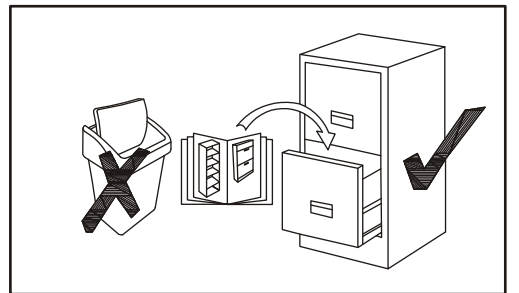
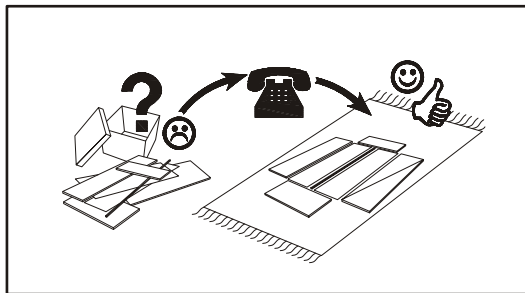
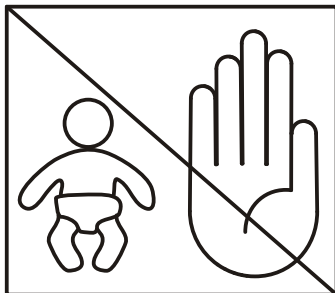
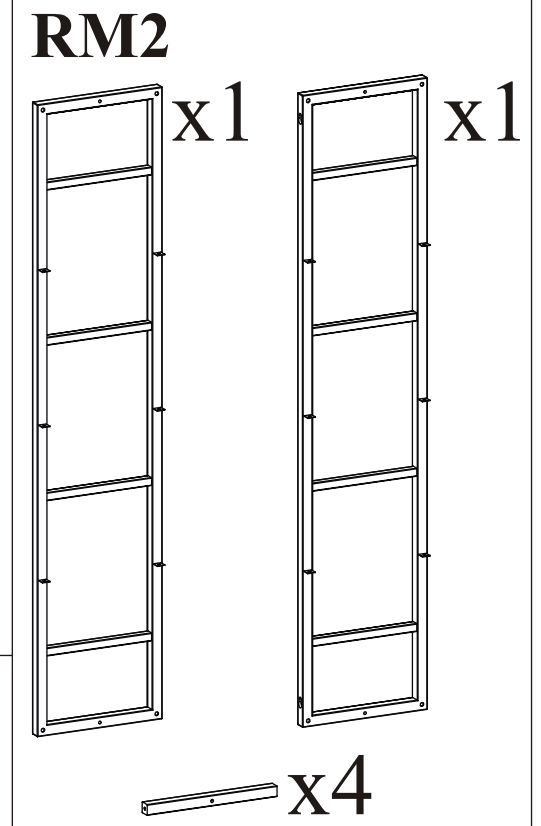
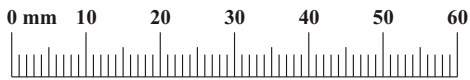
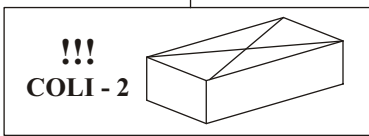


NO	Dim.			Col.-No	Qty
1	260	208	16	1	2
2	260	245	16	1	3



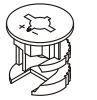
SWITCH 27\_\_SW RM2

B5 x8	 Ø15x12	B20 x8		G5 x8	
G2 x1		KR3 x4	 Ø10	UP13 x12	 UPØ3x16
D60 x8	 M6x30	G12 x8	 Ø14	GSZ x1	



SWITCH 27\_SW RM2

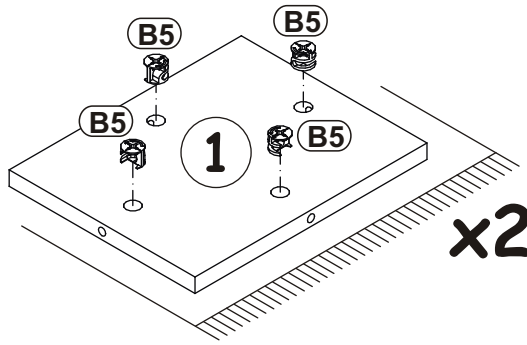
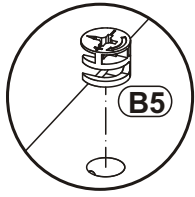
B5



x8

Ø15x12

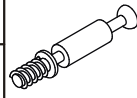
1



2

B20

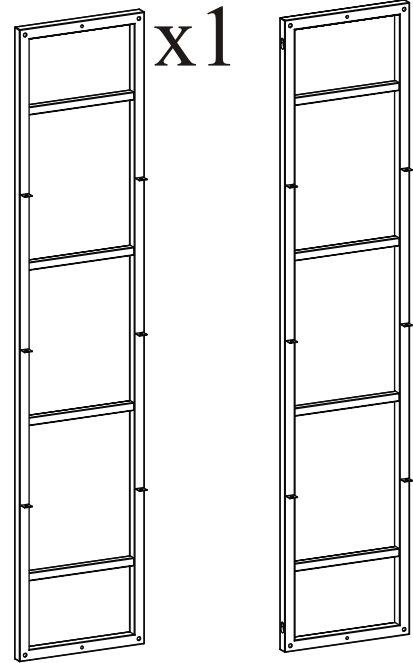
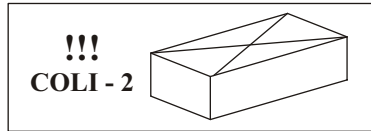
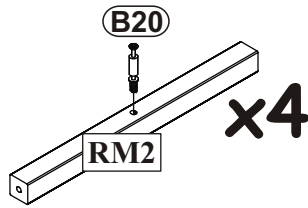
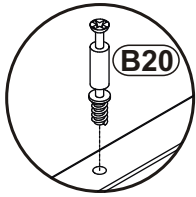
x8



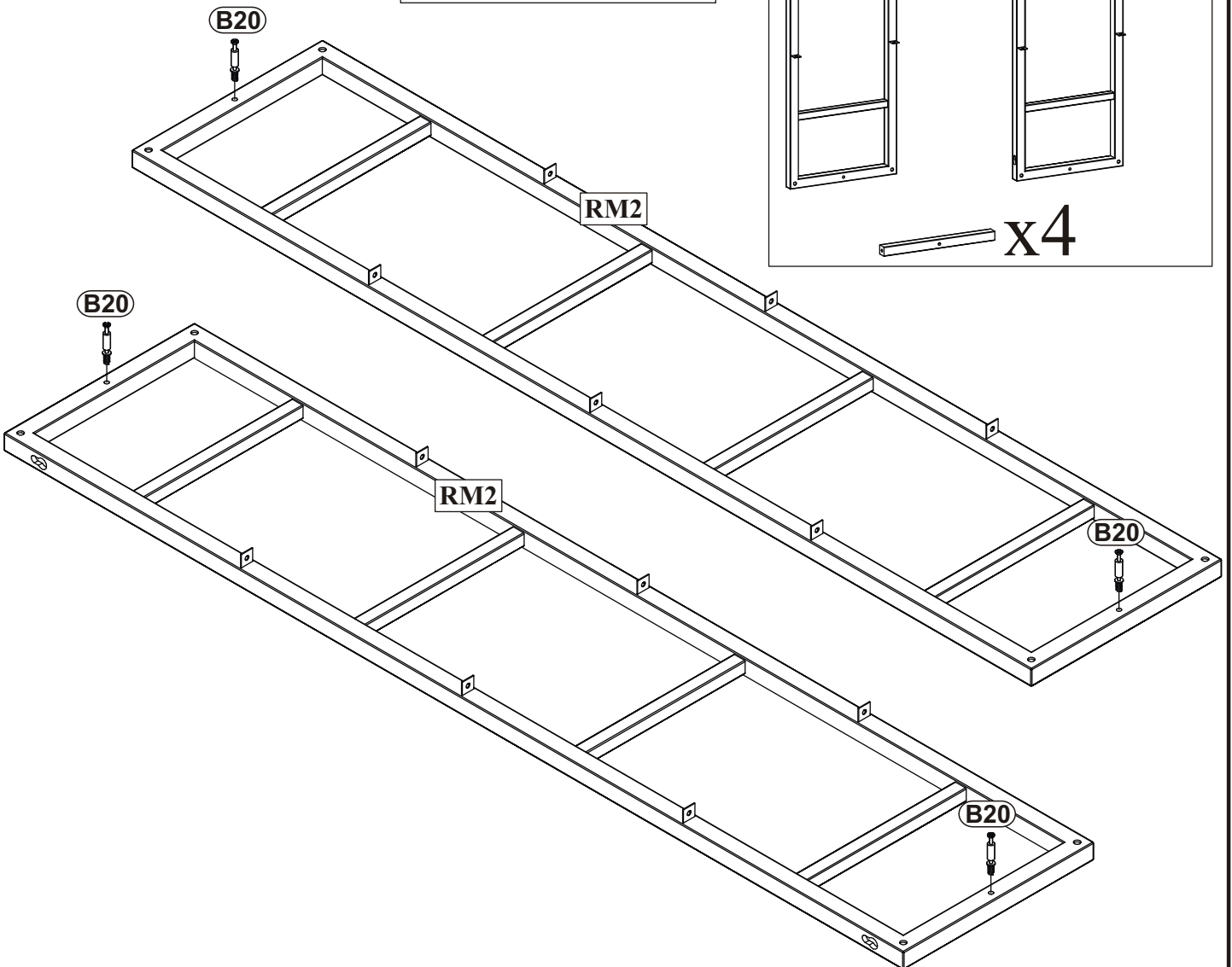
RM2

x1

x1

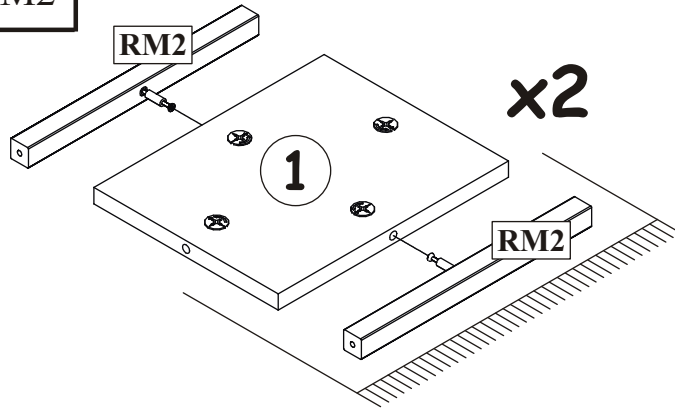


x4



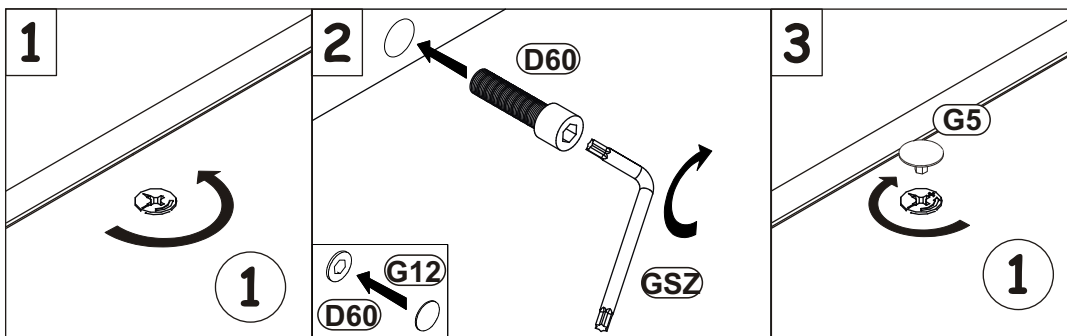
SWITCH 27\_\_SW RM2

3



G5	
x4	

4

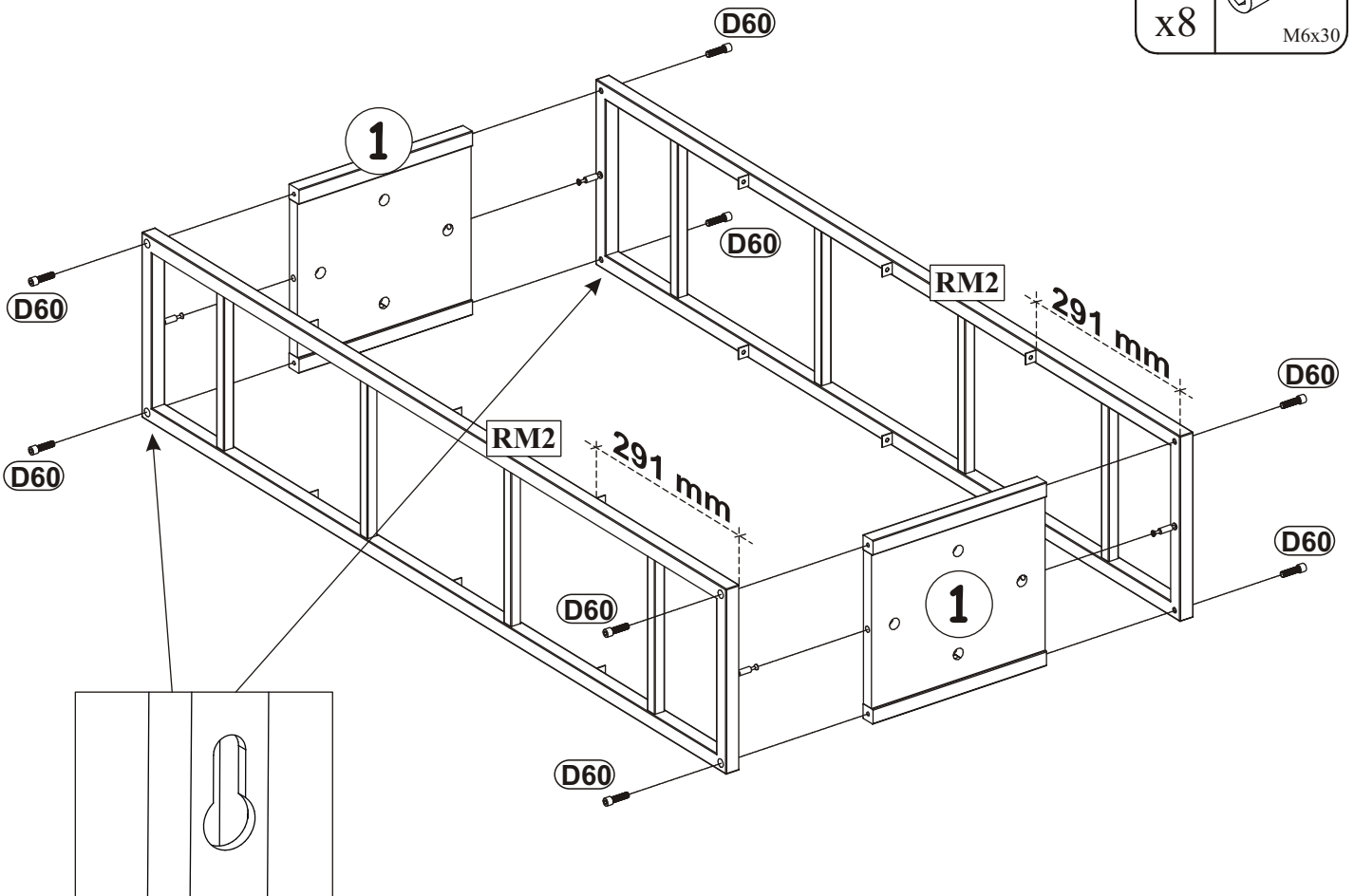


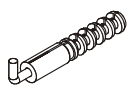

G12	
x8	Ø14

GSZ	
x1	

G5	
x4	

D60	
x8	M6x30



KR3		UP13	
x4	Ø10	x12	UPØ3x16

5

