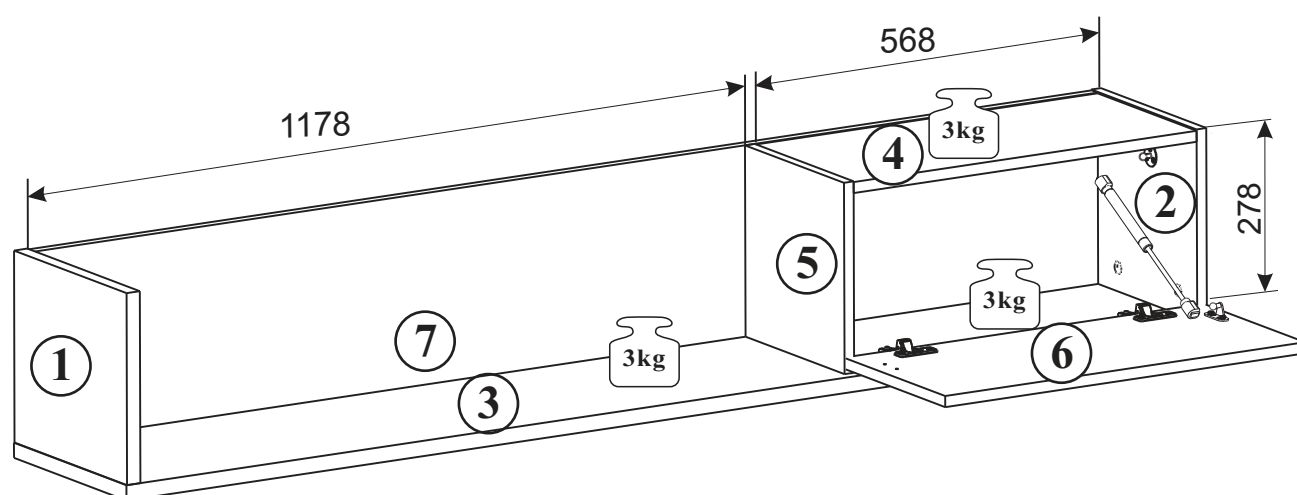
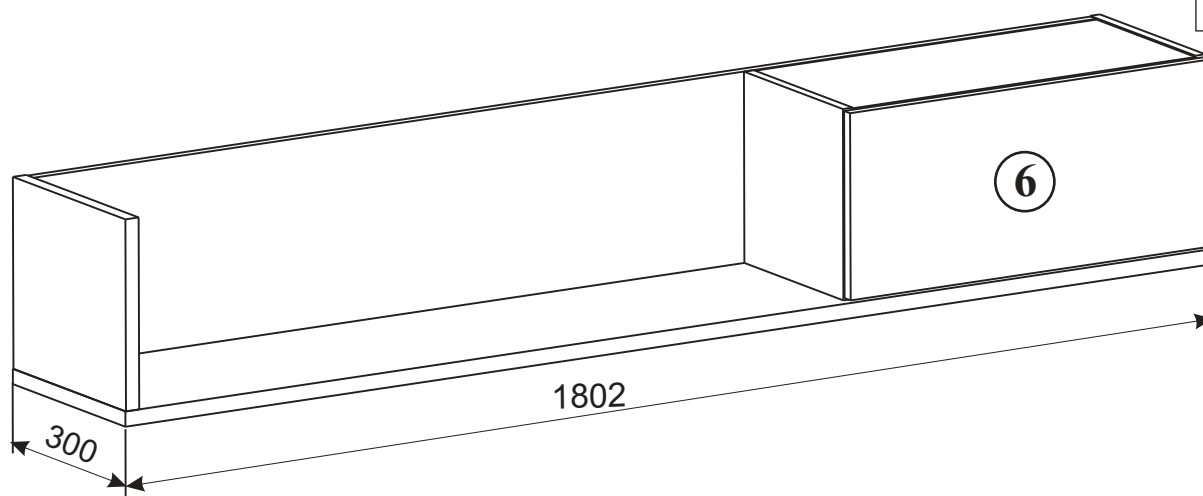
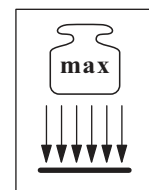
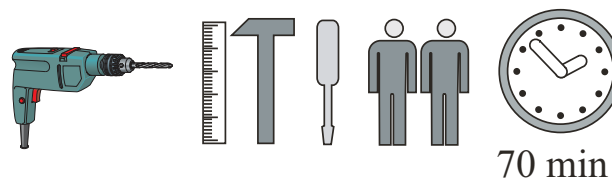


DALLAS- PANEL __ DL



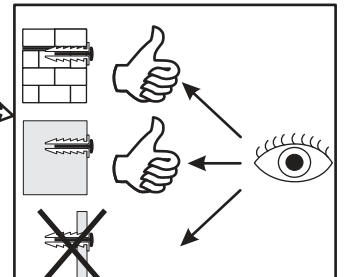
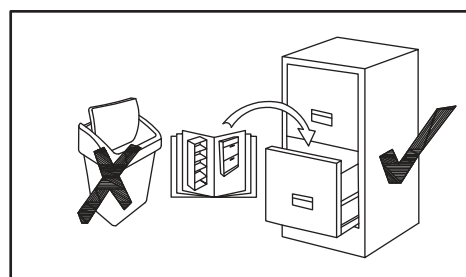
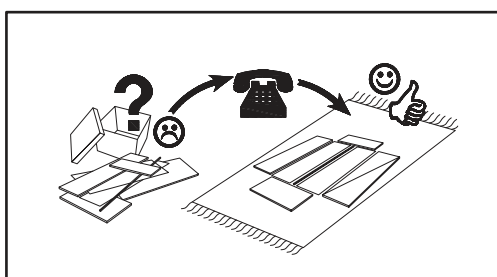
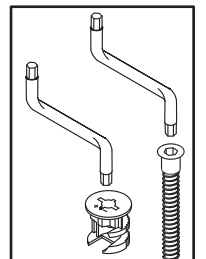
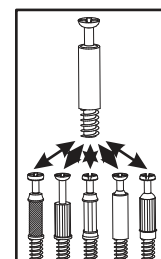
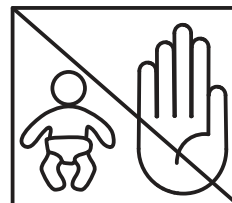
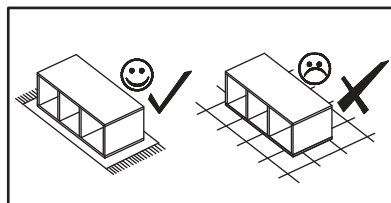
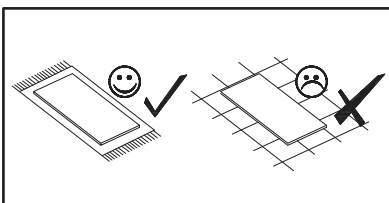
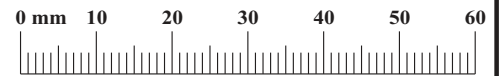
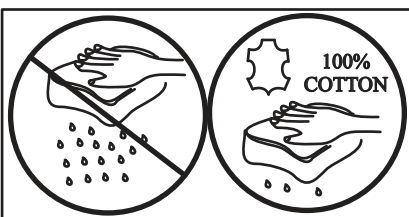
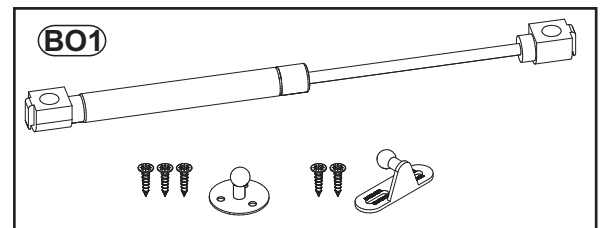
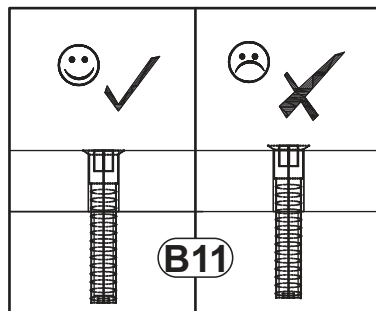
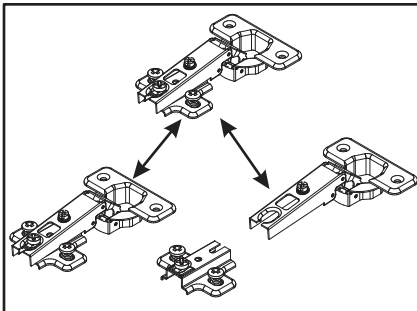
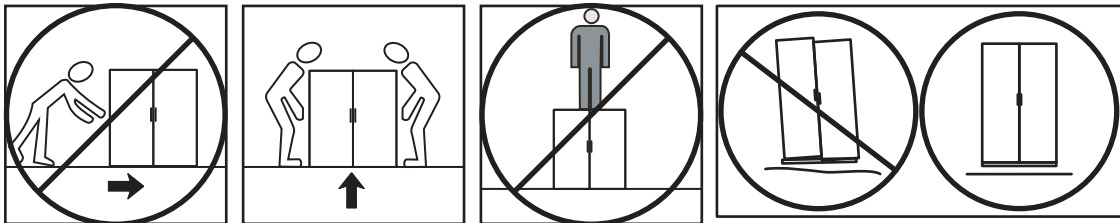
NO	DIM.			COL.-NO	QTY
1	278	300	22	1/1	1
2	278	281	16	1/1	1
3	1802	300	22	1/1	1
4	568	264	16	1/1	1
5	277	264	16	1/1	1
6	596	271	16	1/1	1
7	1762	277	16	1/1	1



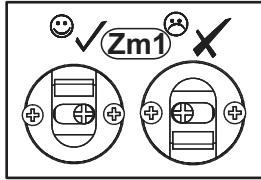
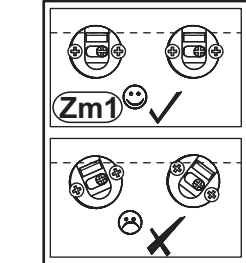
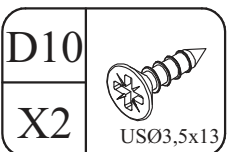
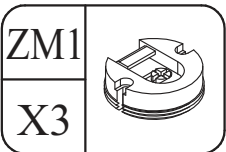
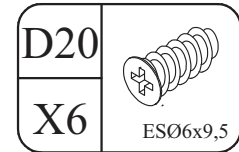
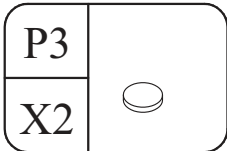
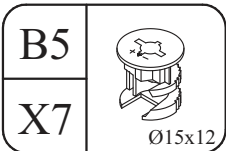
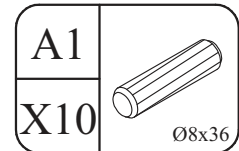
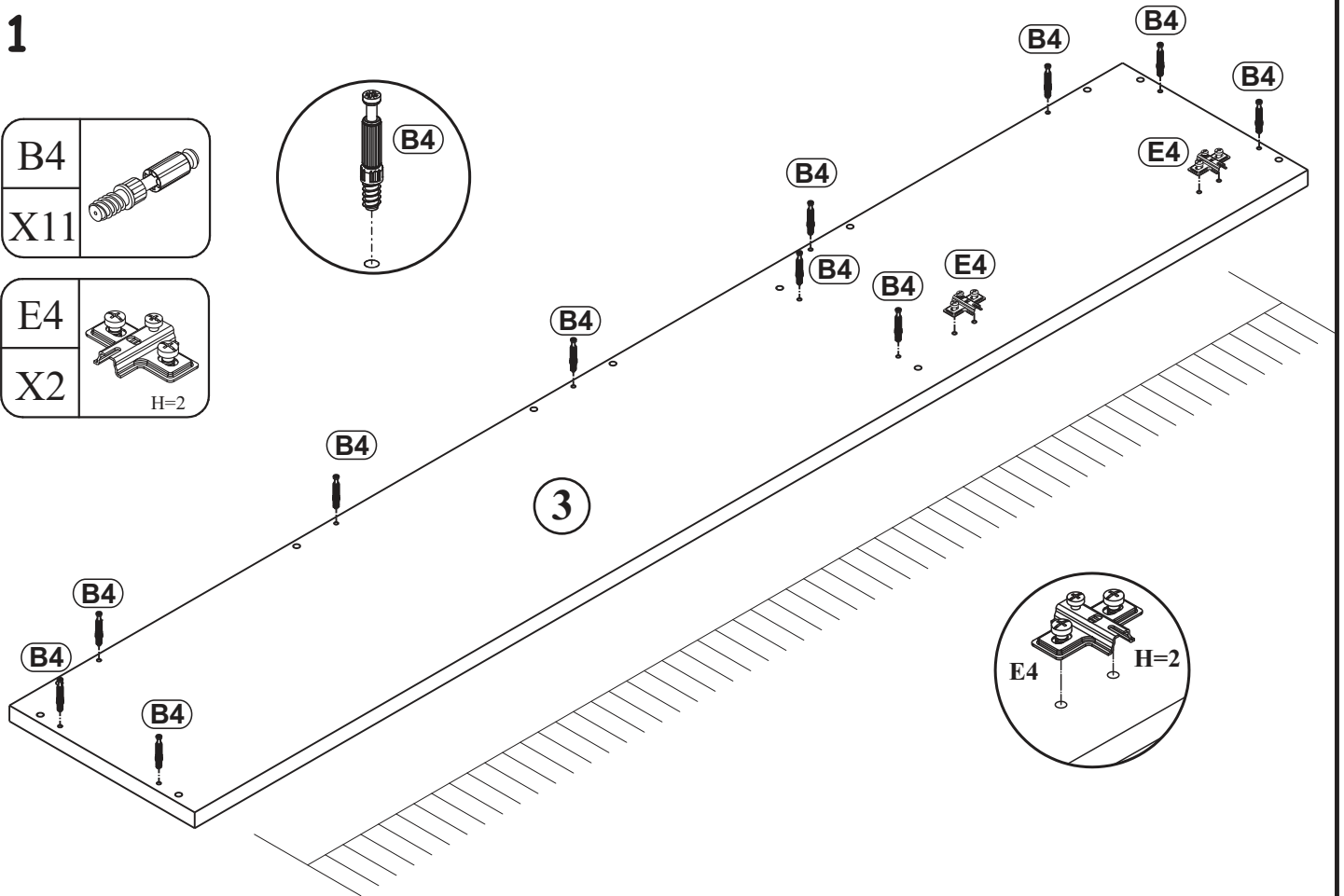
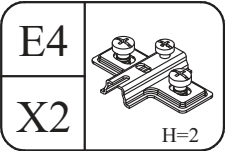
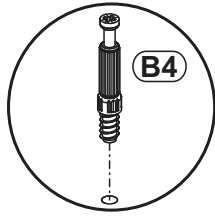
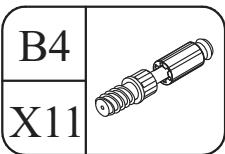
70 min

MAZE - RTV I

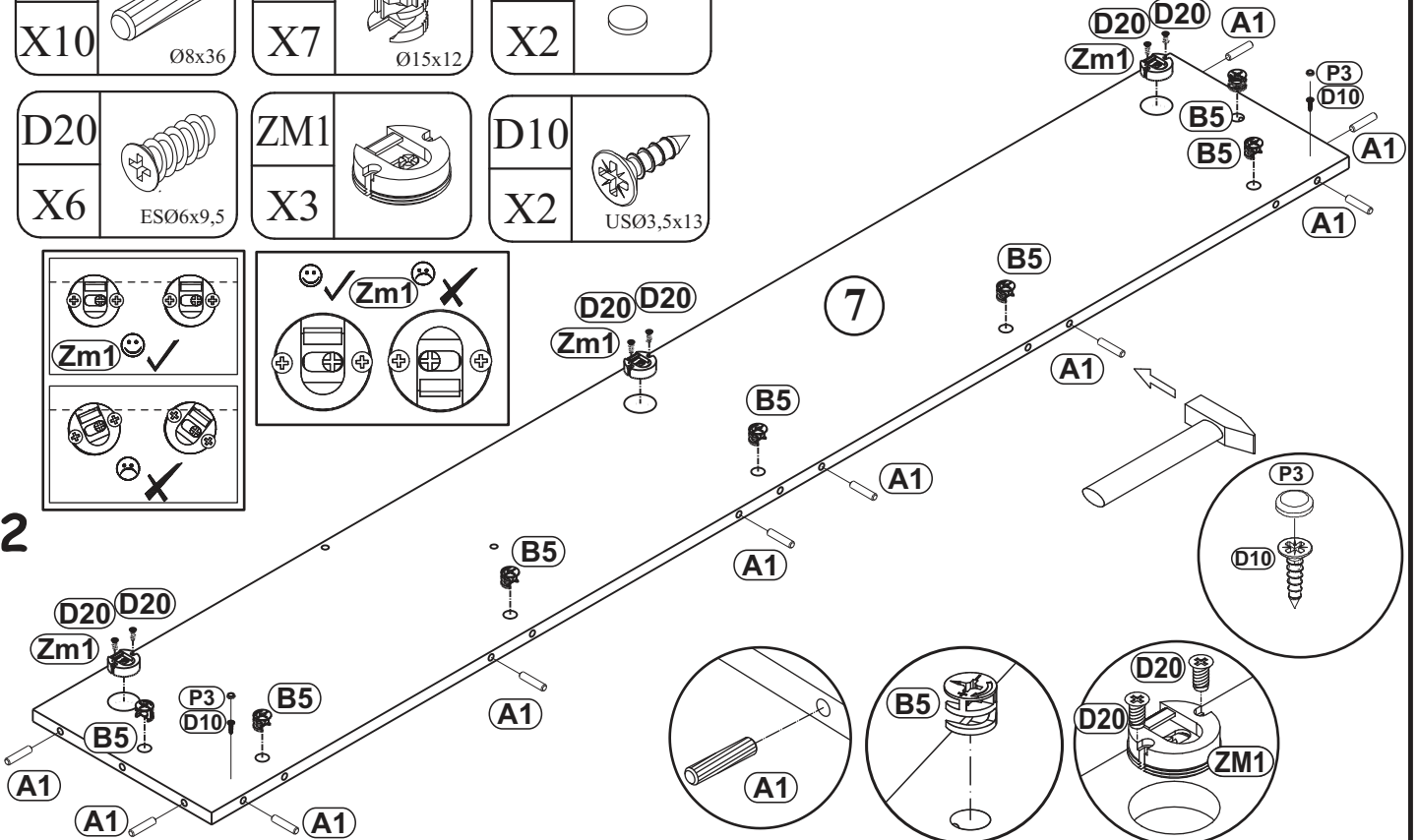
A1 X22 Ø8x36	B4 X17 34	B5 X17 Ø15x12	G5 X17	G2 x1	P3 X2
D20 X6 ESØ6x9,5	ZM1 X3	KR3 X3 Ø10	B11 X3 Ø7x50	G4 X3 c	D10 X10 USØ3,5x13
E4 X2 H=2	E25 X2 Ø35 H=16	BO1 x1 OLEJOWY	D7 X3 USØ3x16	T3/T5 X1	



1




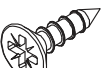
2

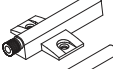


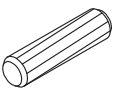
MAZE - RTV I

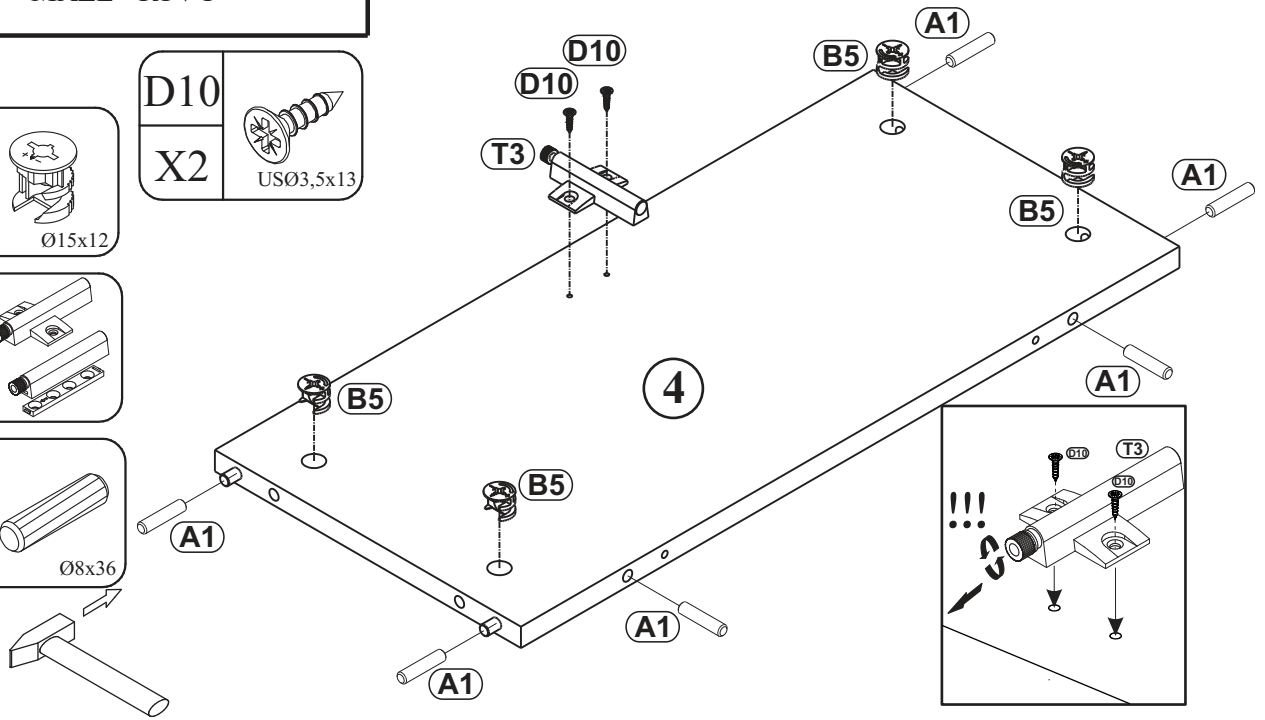
3

B5	
X4	Ø15x12

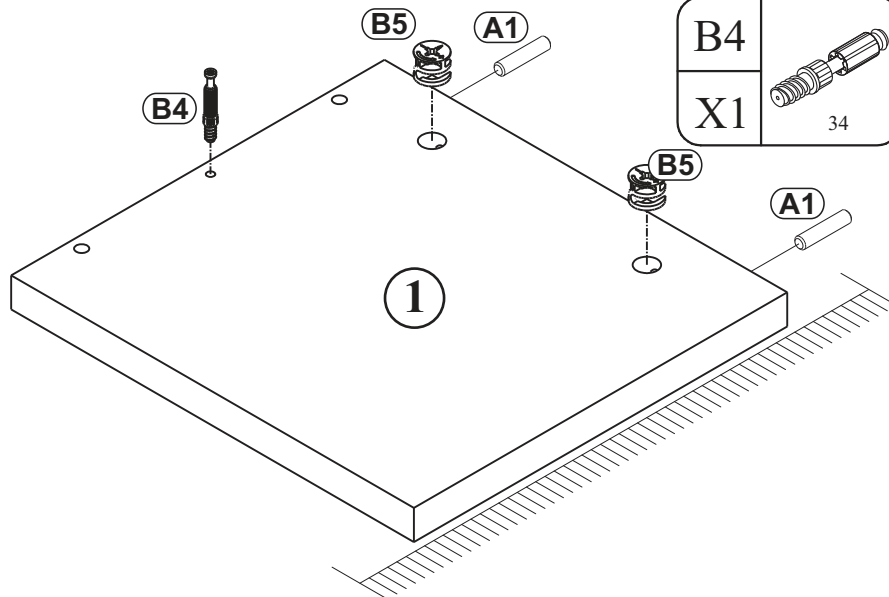
D10	
X2	USØ3,5x13

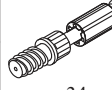
T3/T5	
X1	


A1	
X6	Ø8x36




4

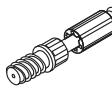


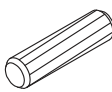
B4	
X1	34

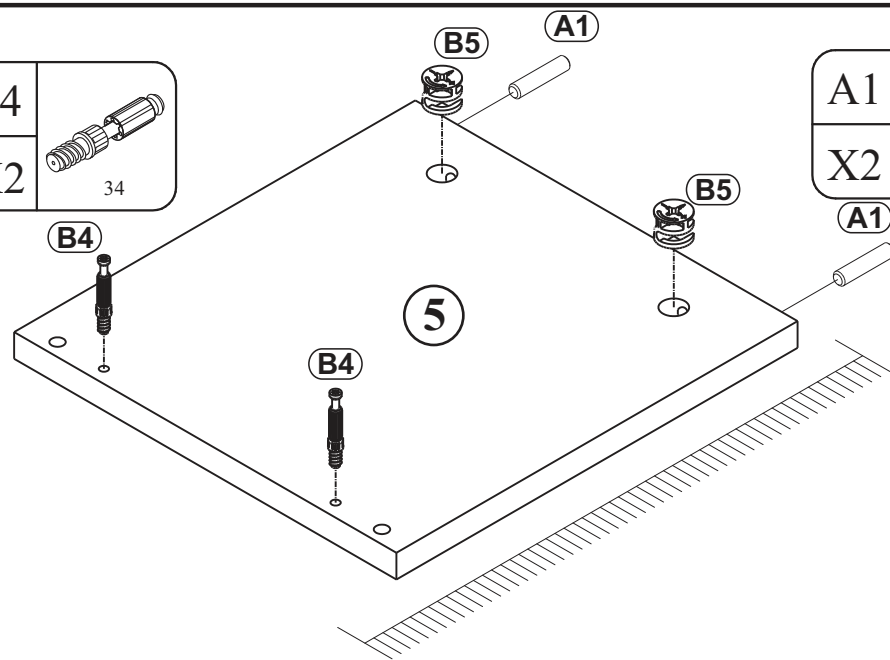
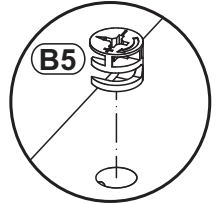
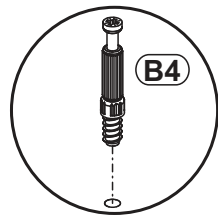
B5	
X2	Ø15x12

5

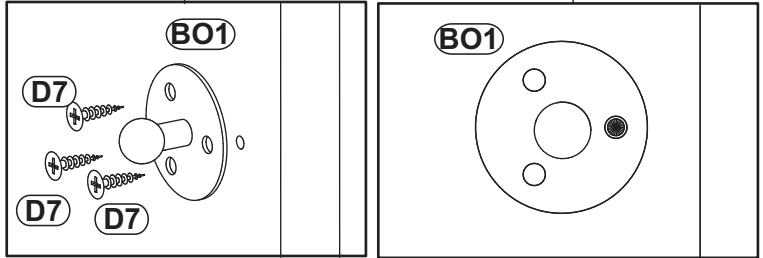
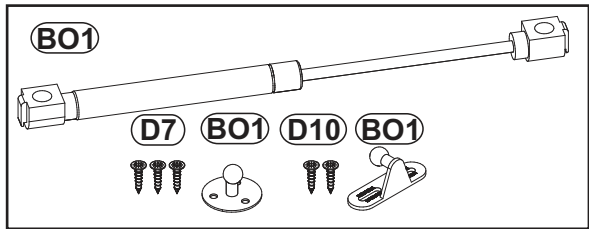
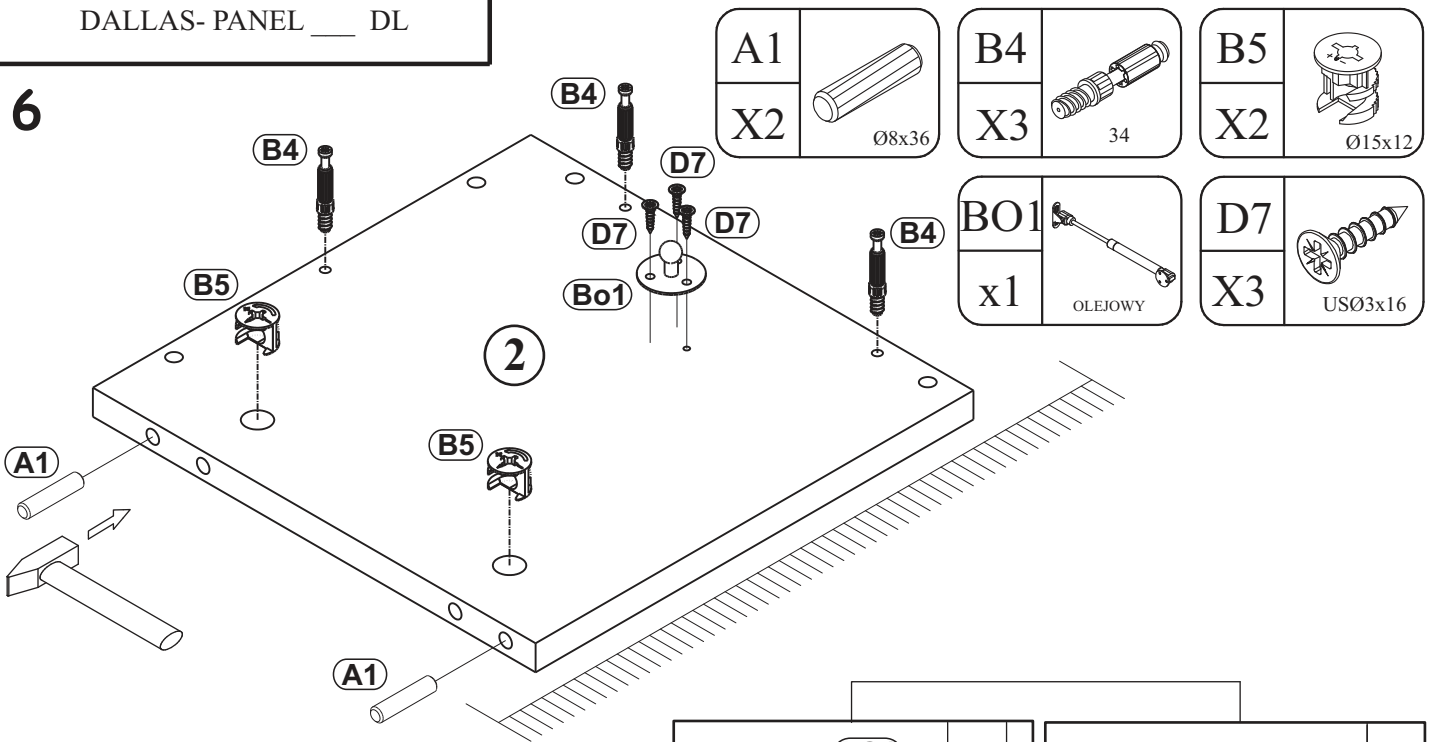
B5	
X2	Ø15x12

B4	
X2	34

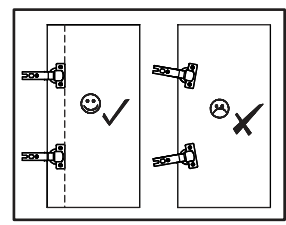
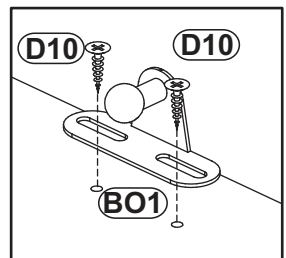
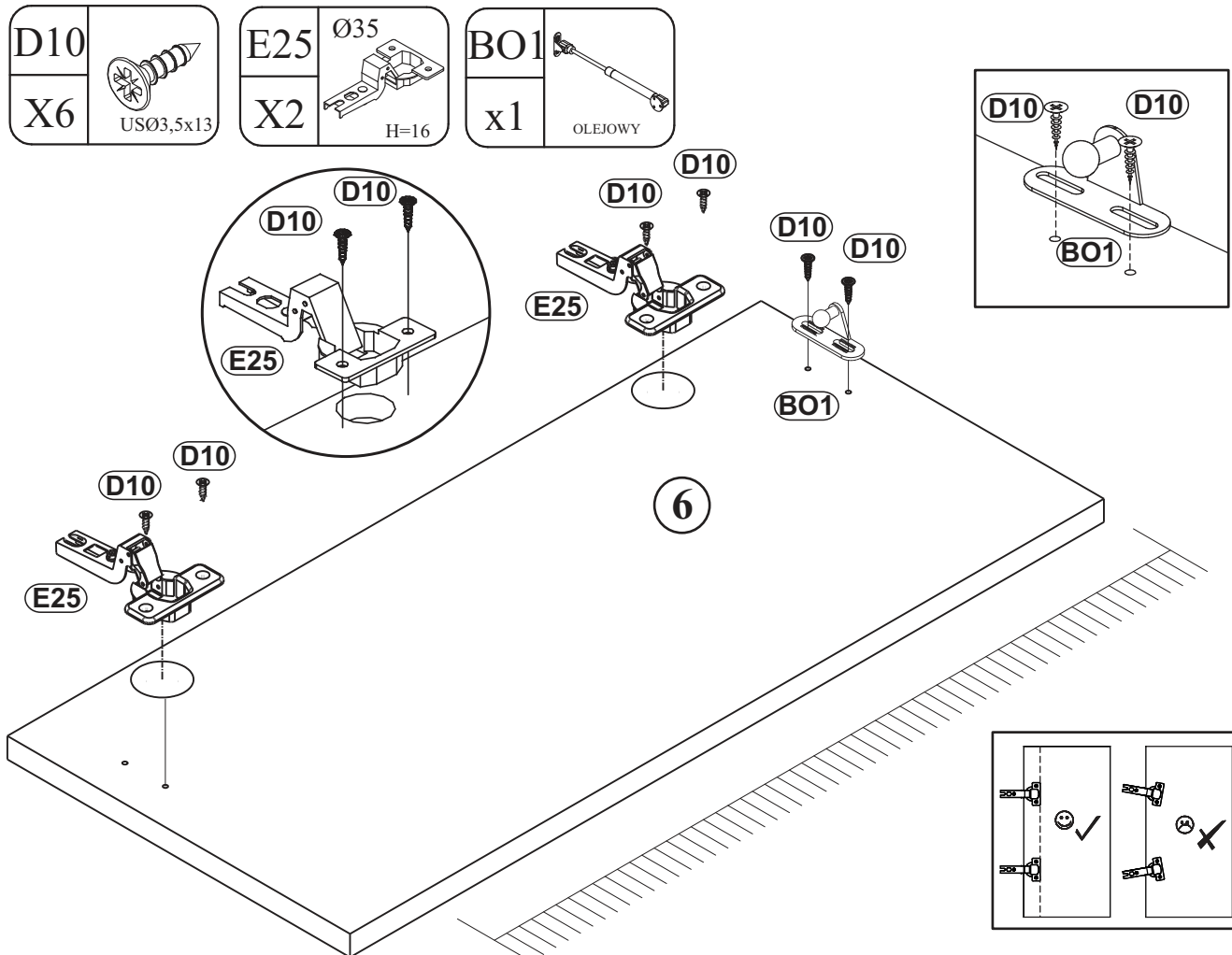
A1	
X2	Ø8x36




6

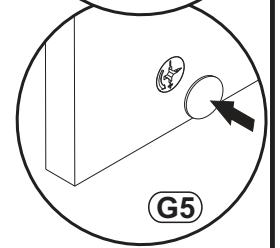
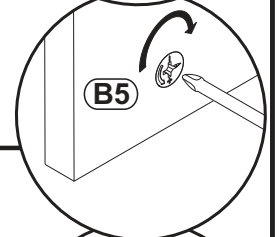
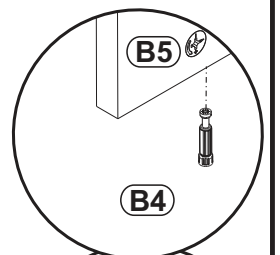
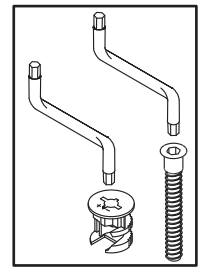
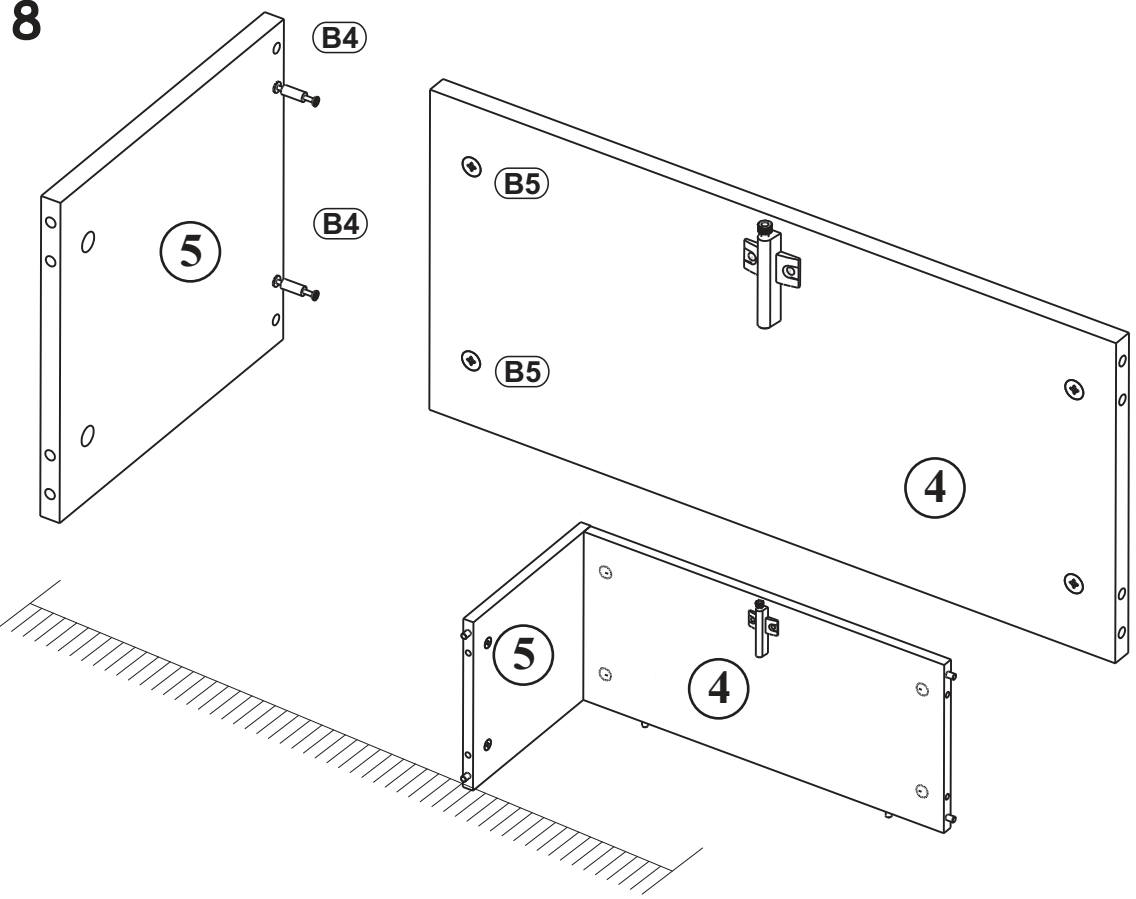


7




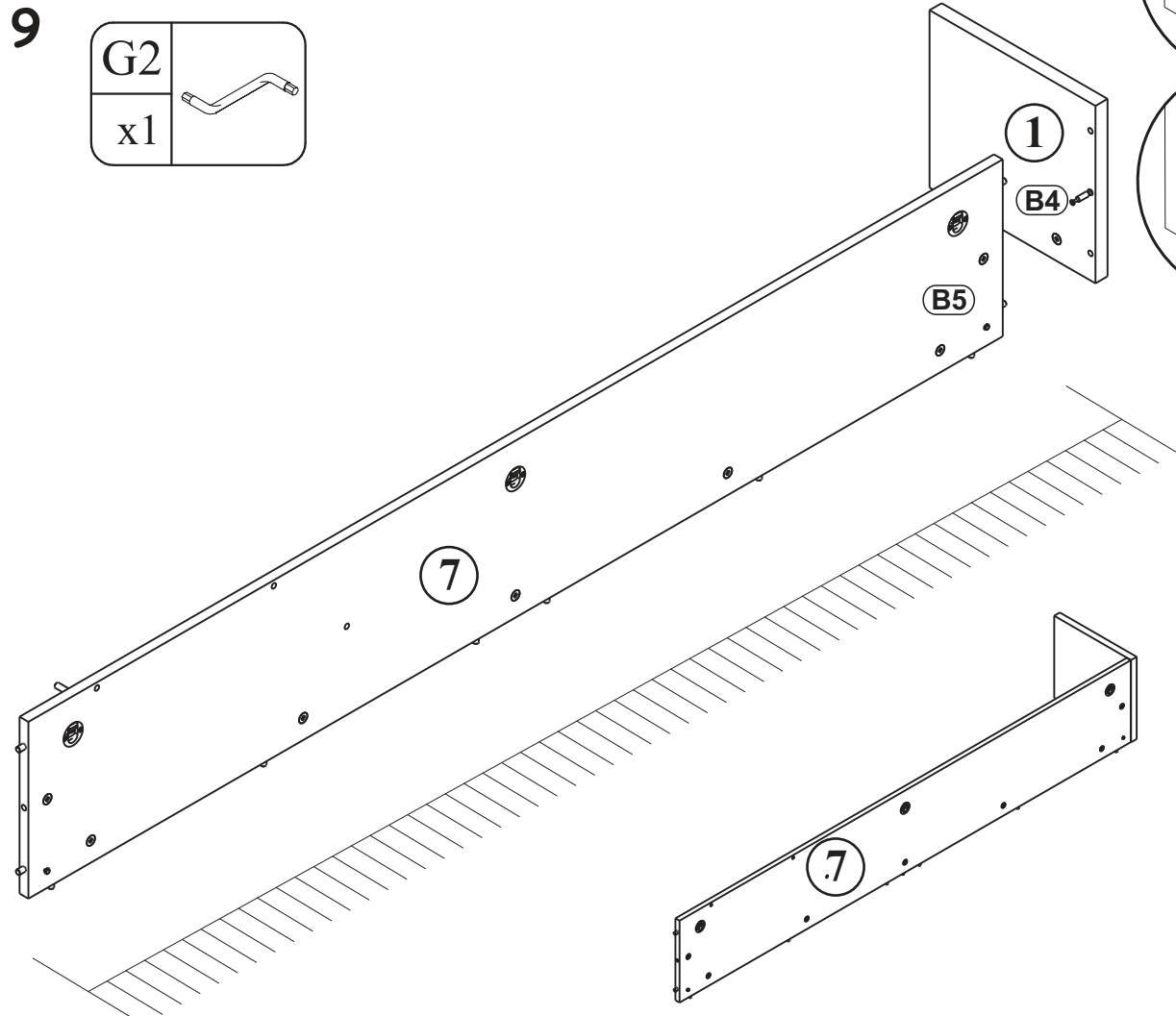
8

G2	
x1	

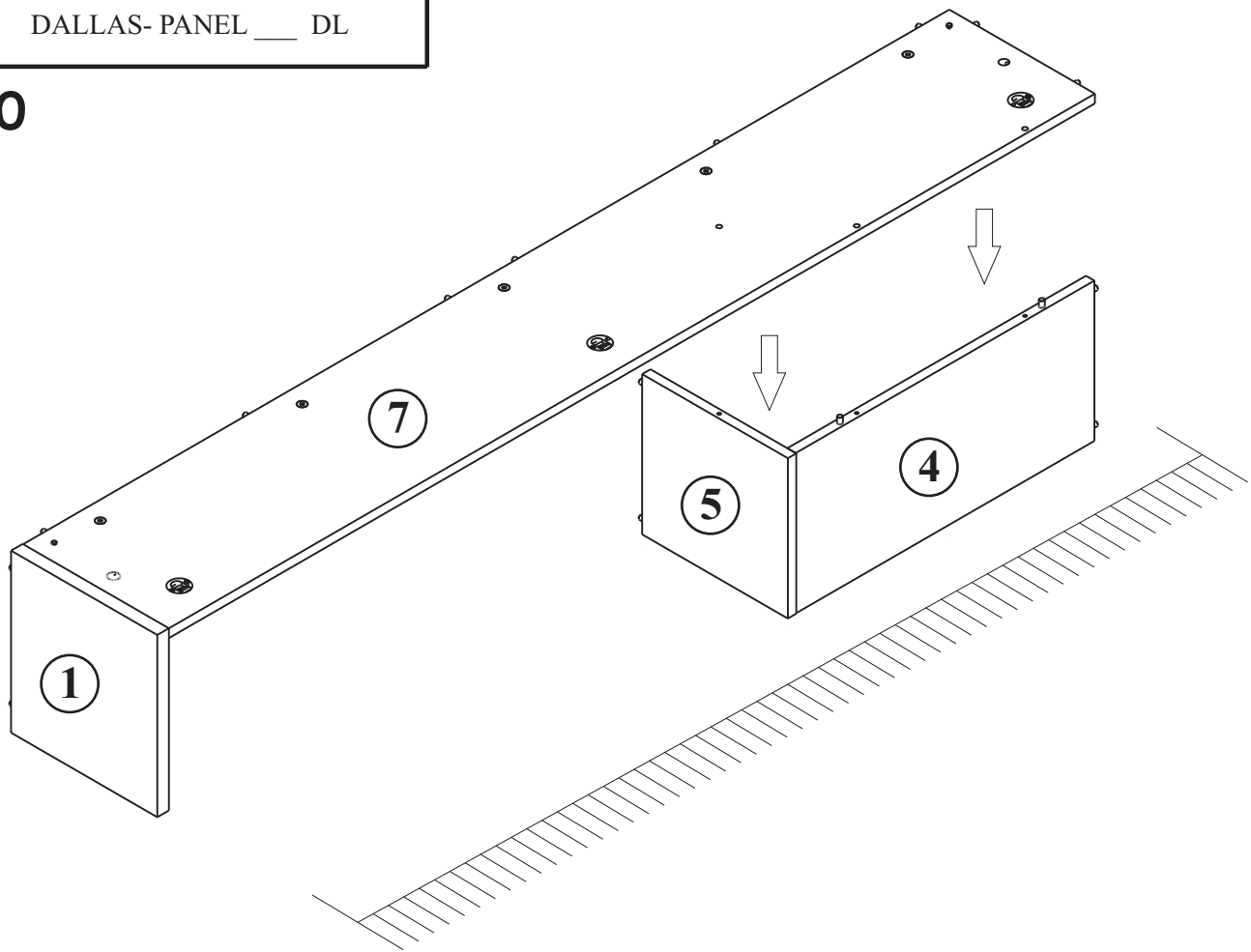


9

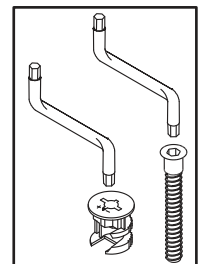
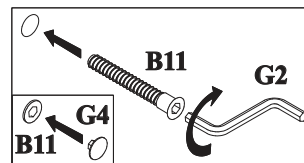
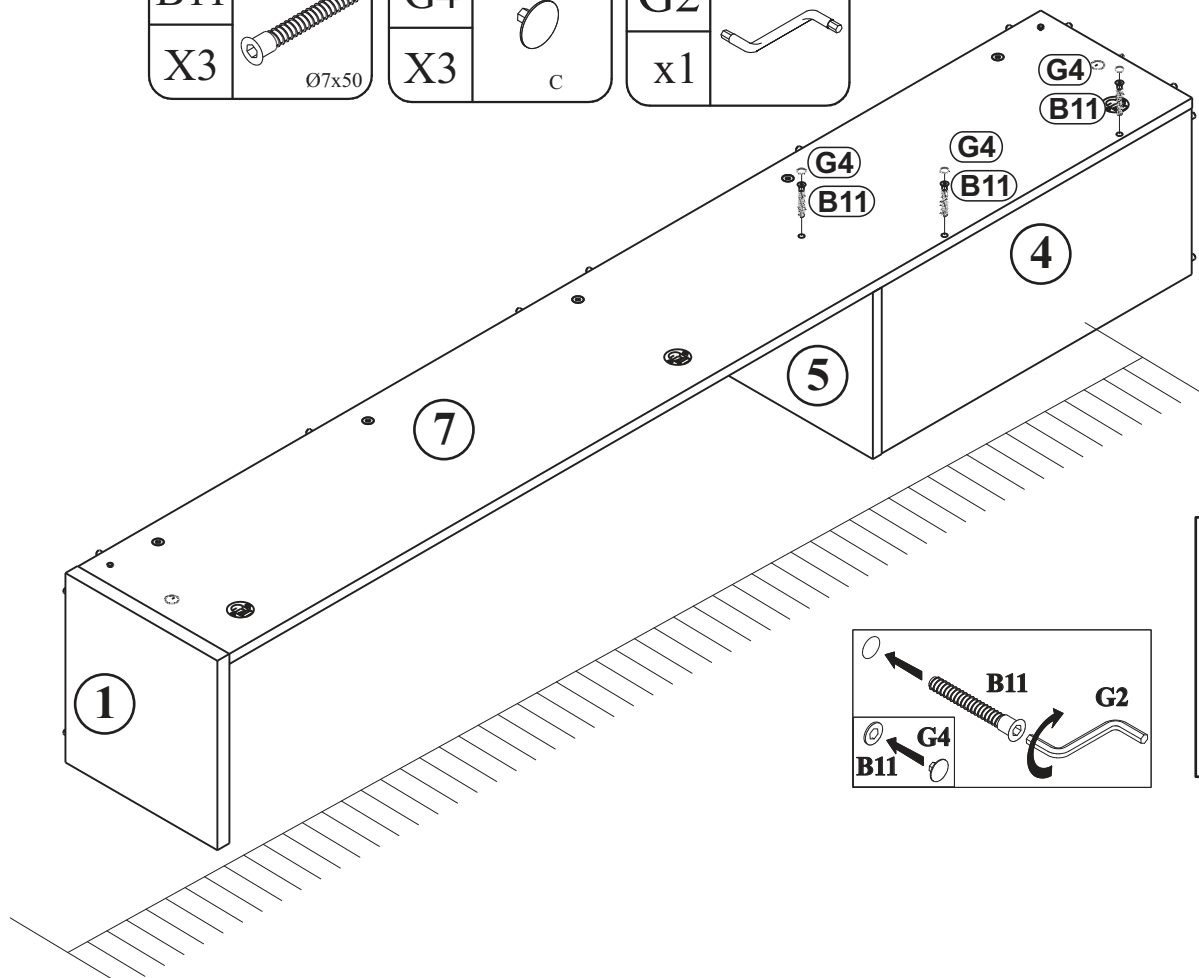
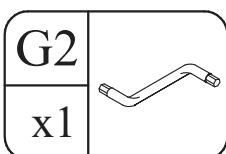
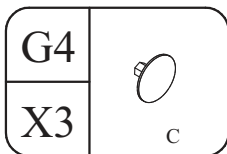
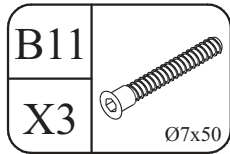
G2	
x1	



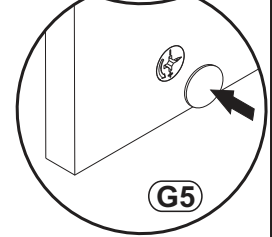
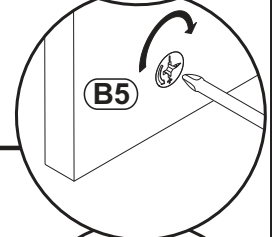
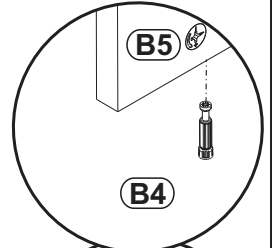
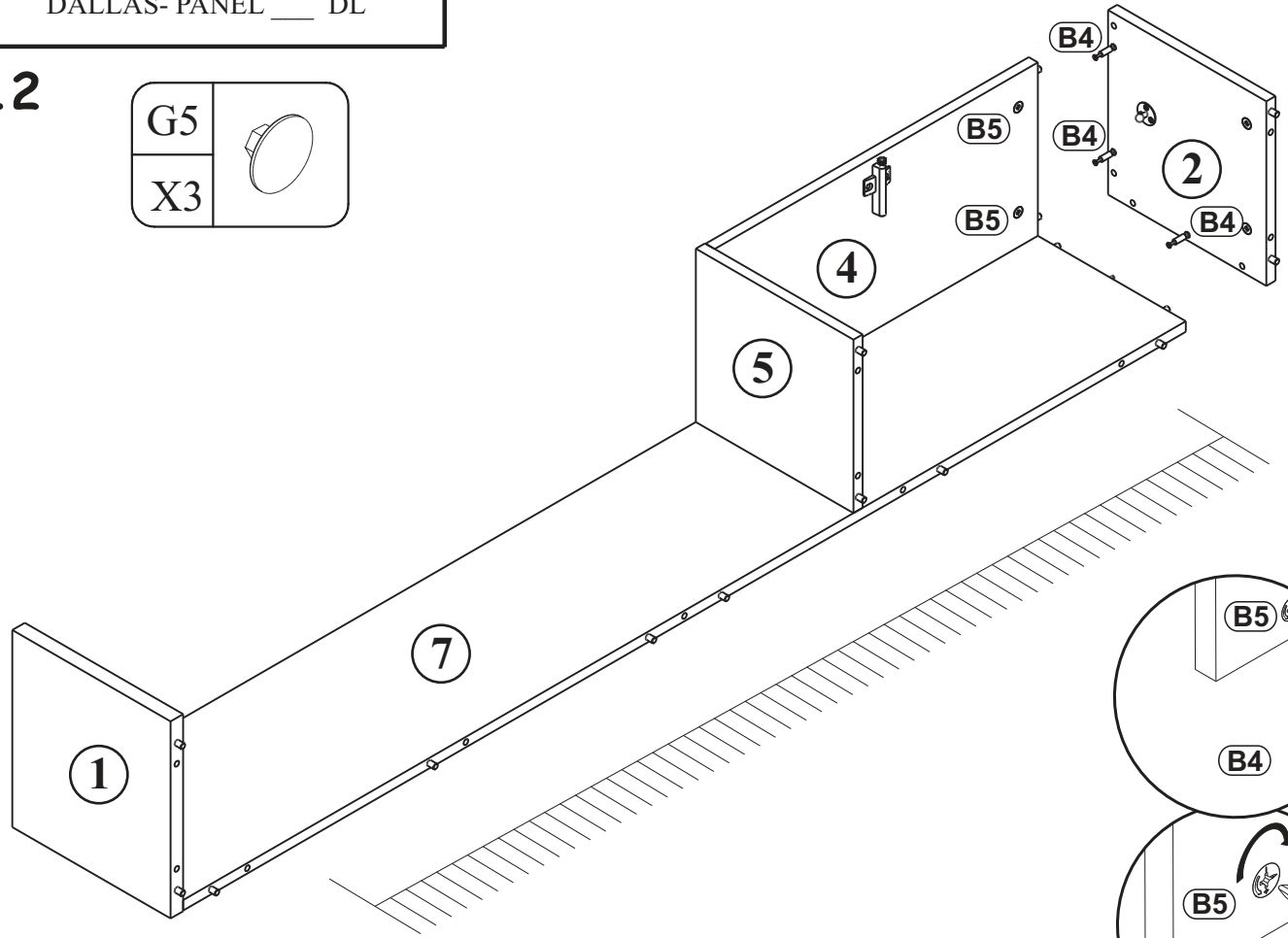
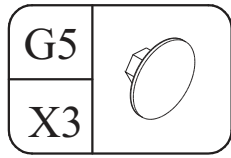
10



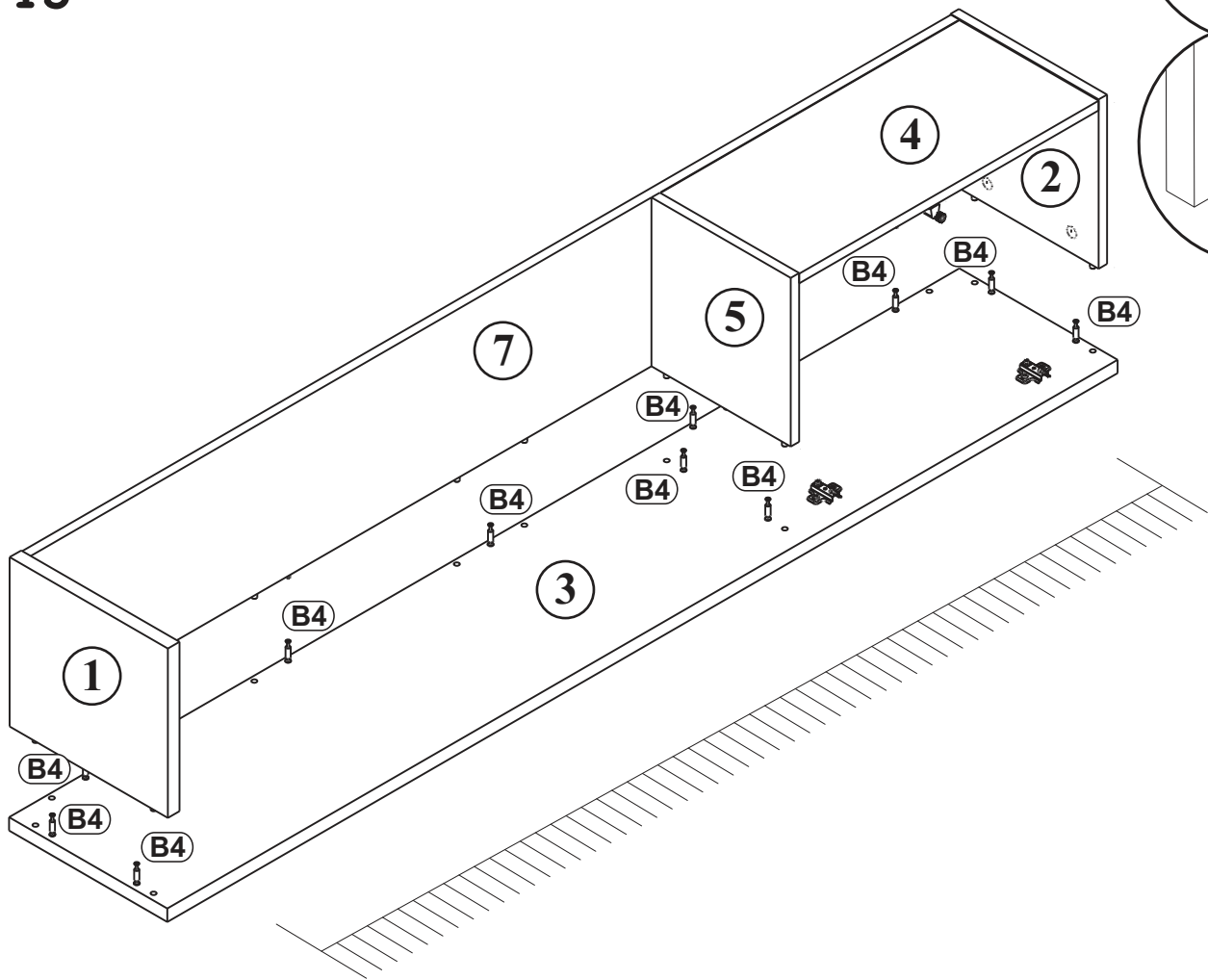
11



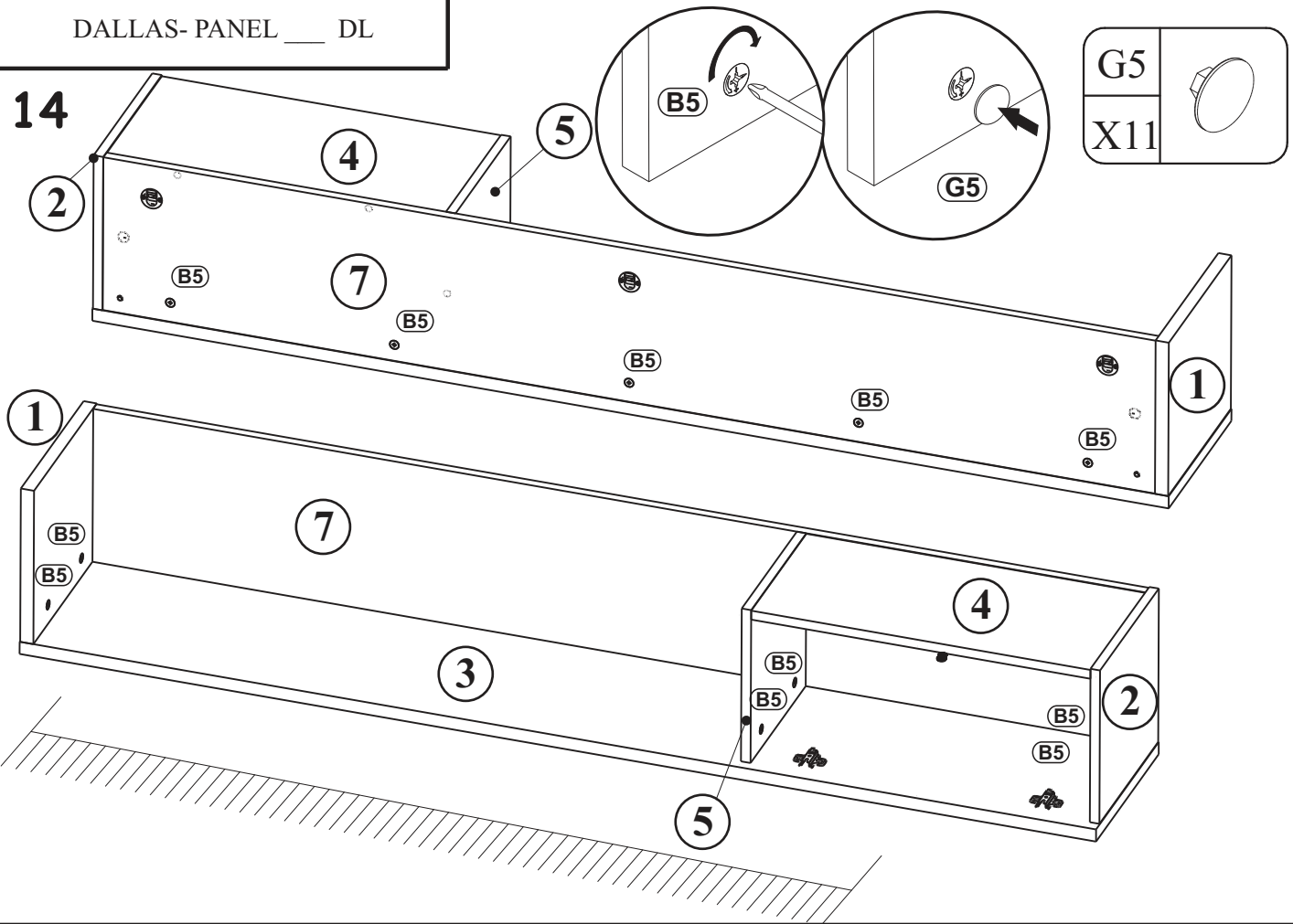
12



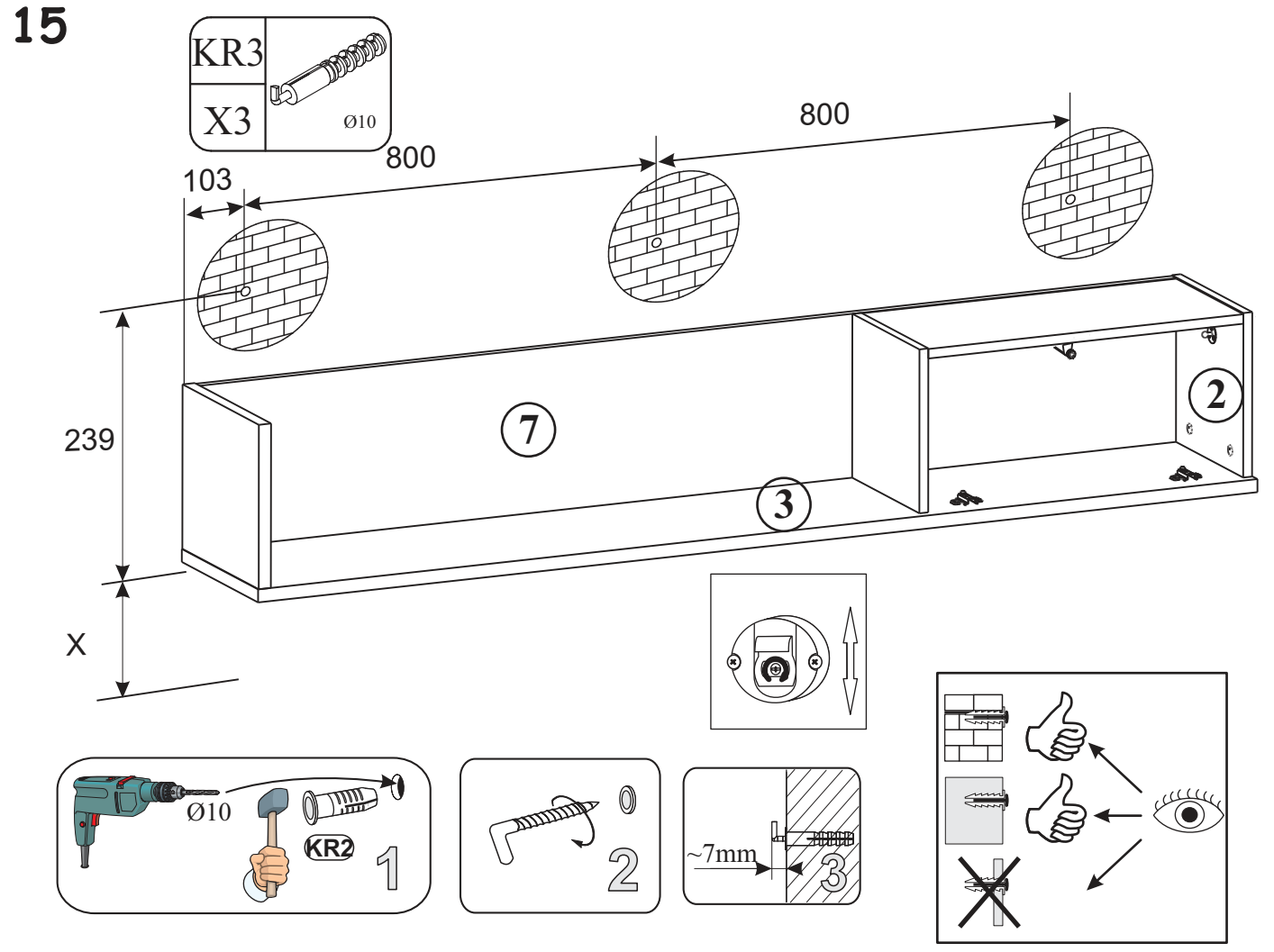
13



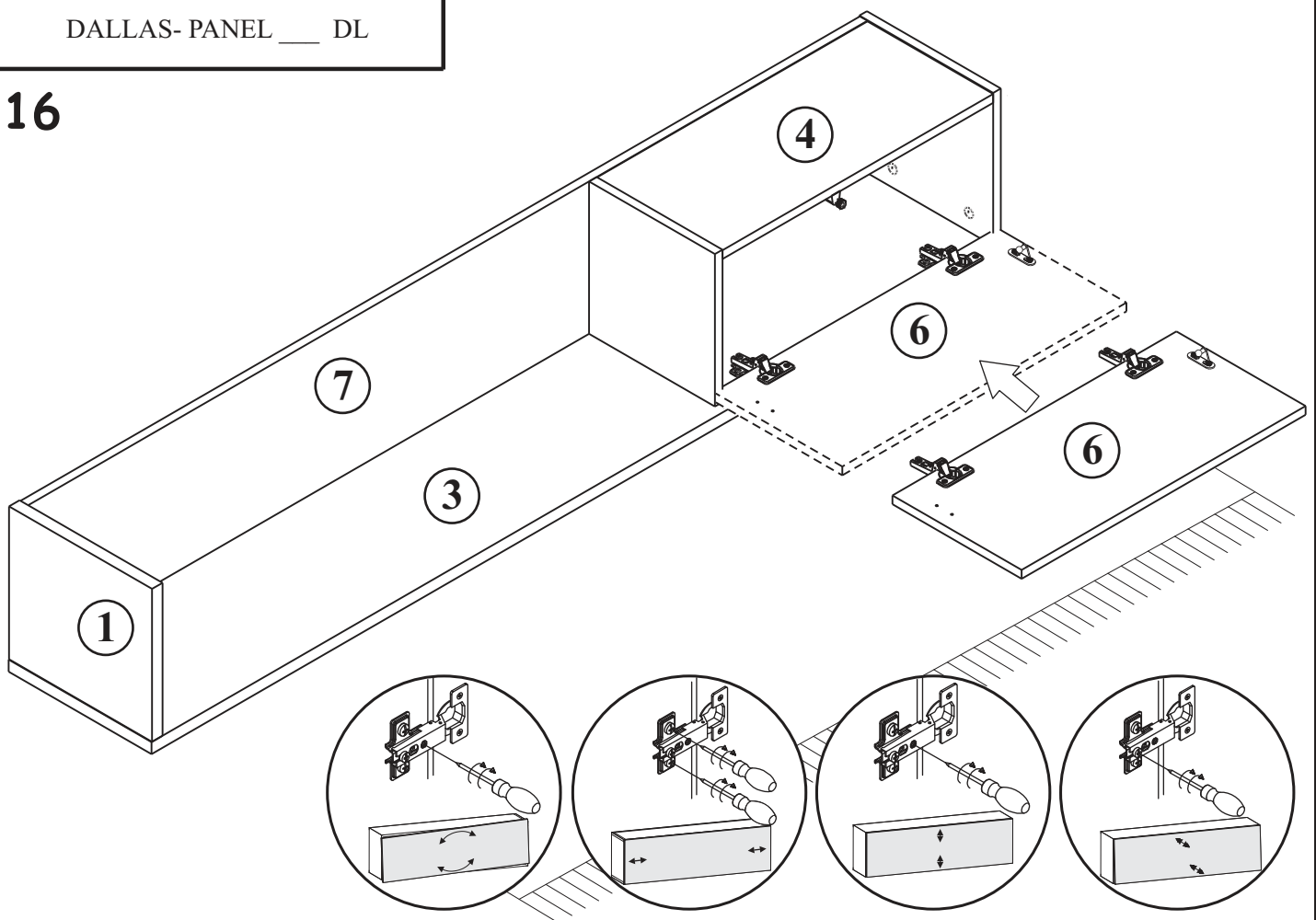
14



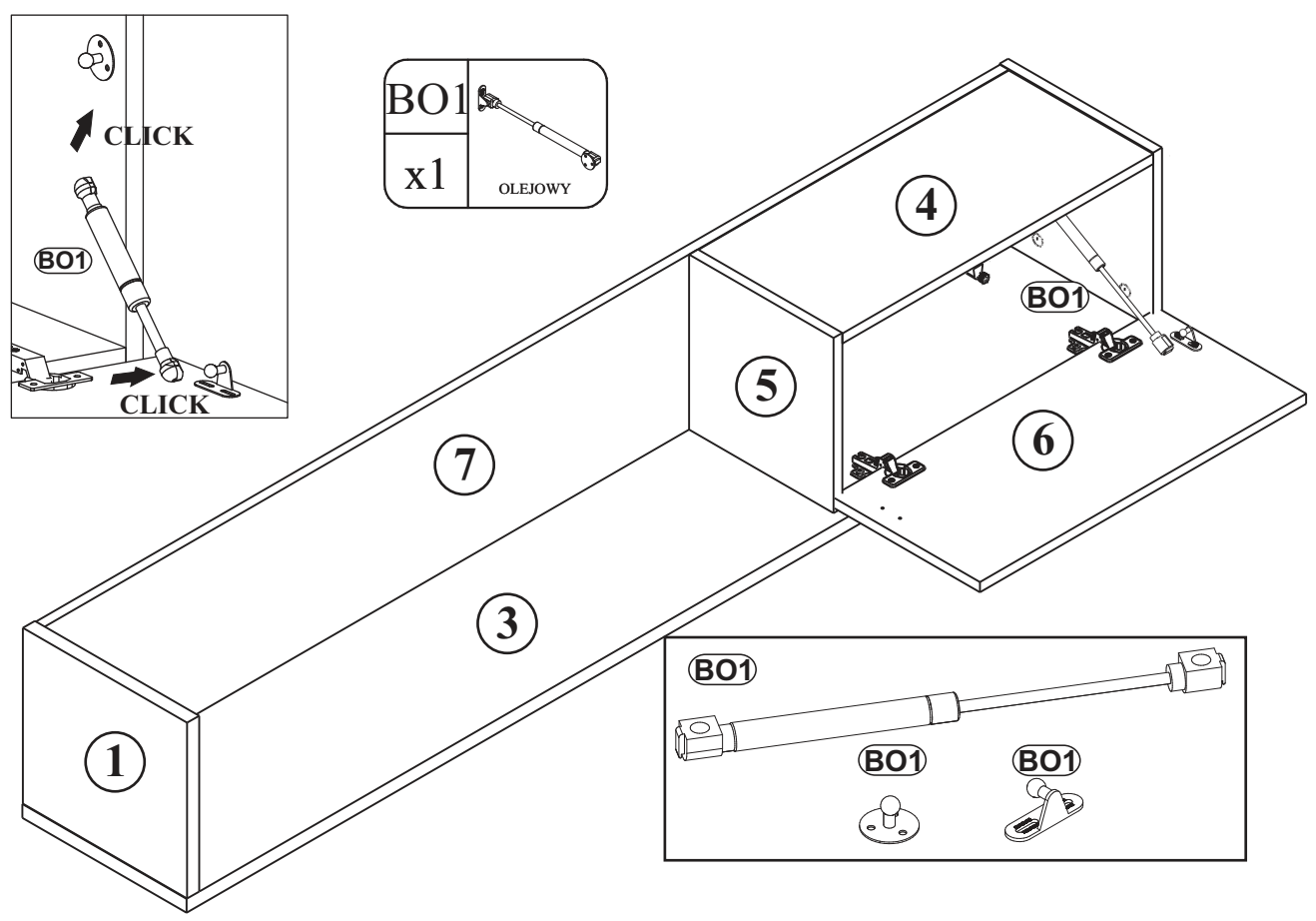
15



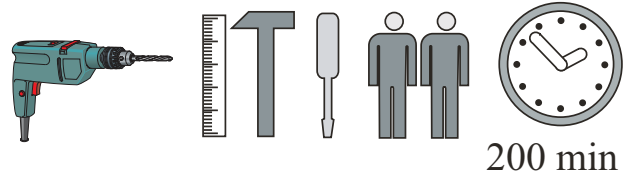
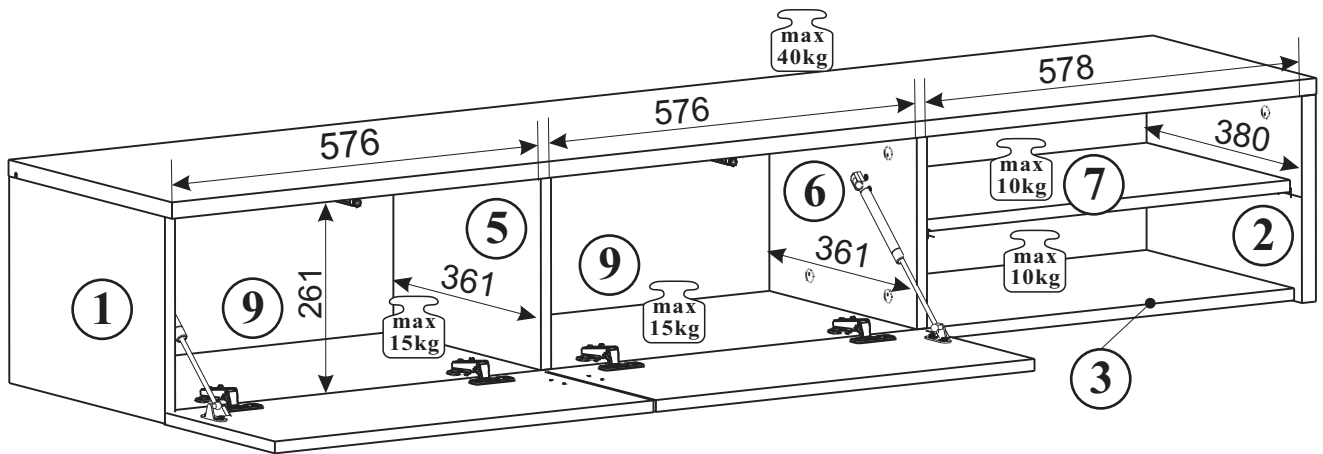
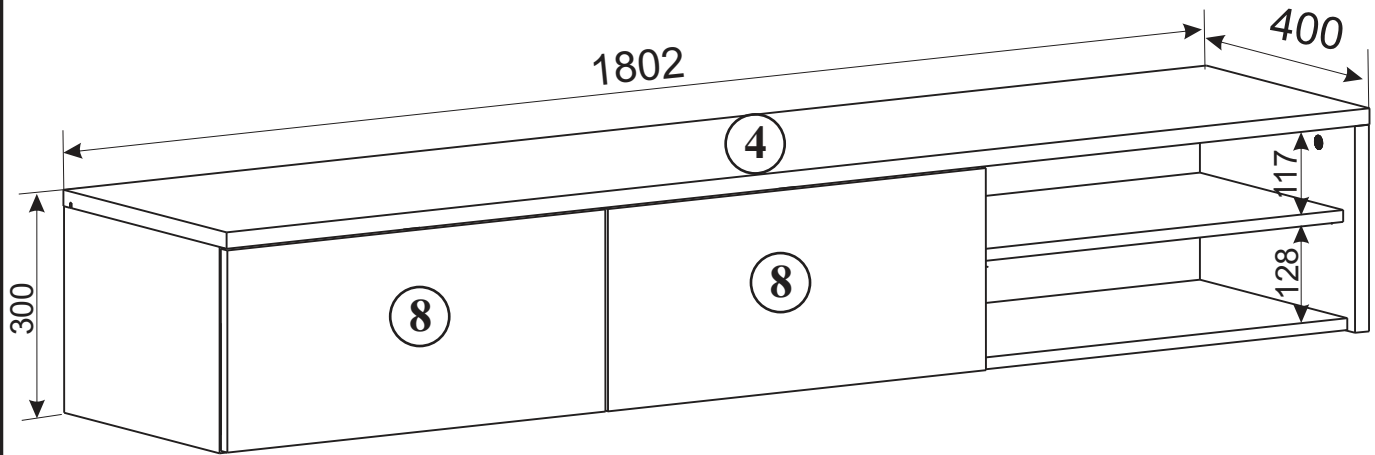
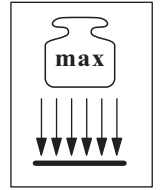
16



17



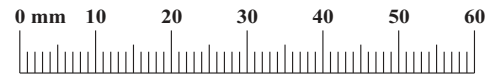
DALLAS- RTV I __ DL



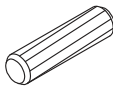

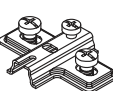
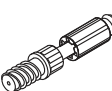
200 min

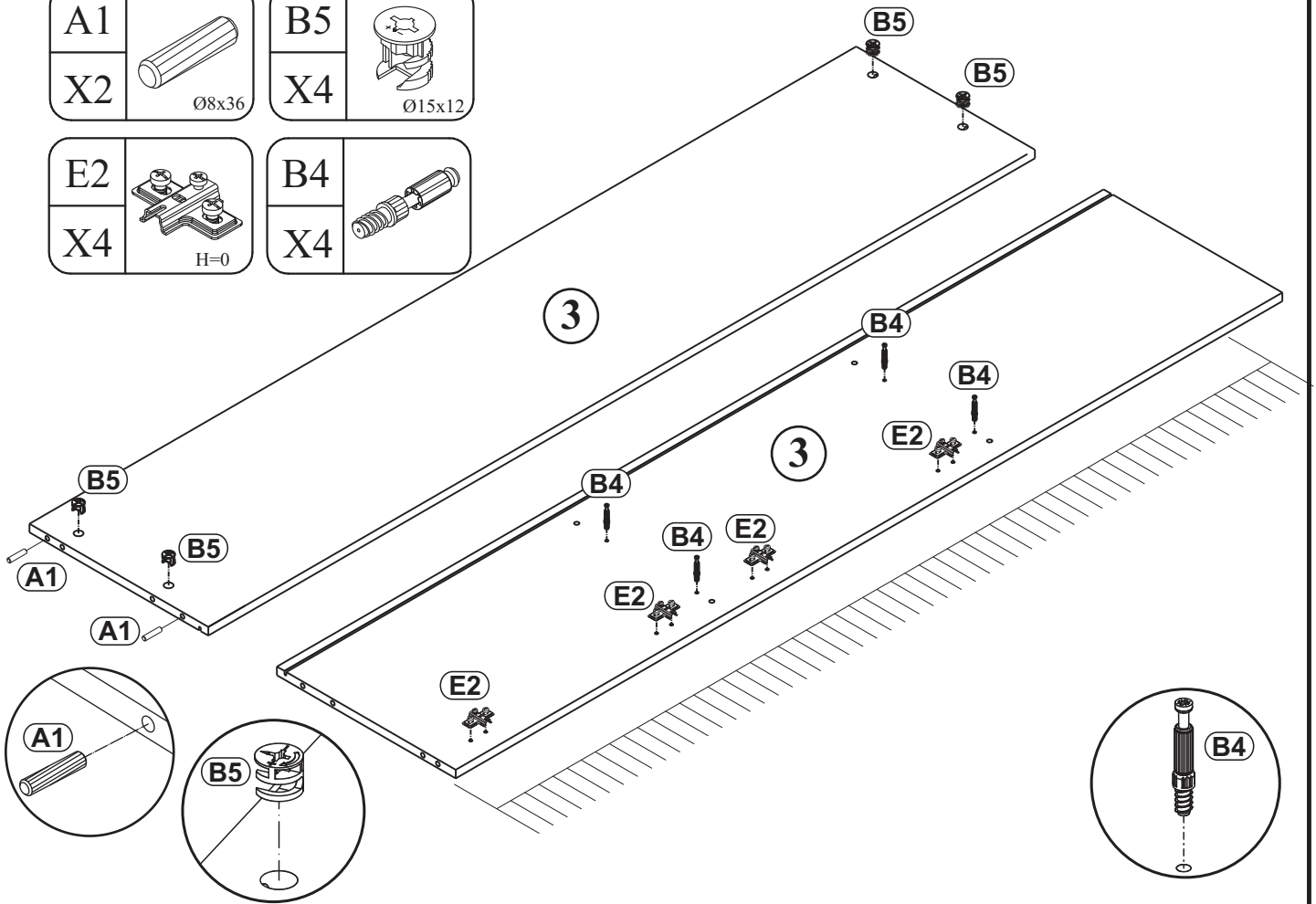
NO	DIM.			COL.-NO	QTY
1	278	381	16	1/1	1
2	278	400	22	1/1	1
3	1762	381	16	1/1	1
4	1802	400	22	1/1	1
5	261	361	16	1/1	1
6	261	361	16	1/1	1
7	578	351	16	1/1	1
8	596	272	16	1/1	2
9	1774	273	3	1/1	1

A1 X16 Ø8x36	B4 X16 34	B5 X16 Ø15x12	G5 X16	D10 X16 USØ3,5x13	E21 X4 Ø35 H=0
E2 X4 H=0	UP13 X4 UPØ3x16	S1 X14	T3/T5 X2	ZXL X2	ZXP X2
G2 x1	D7 X6 USØ3x16	BO1 X2 OLEJOWY	G7 X4	D6 X8 USØ3,5x30	
KR3 X4 Ø10					

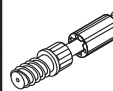
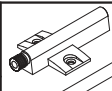
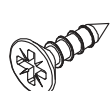


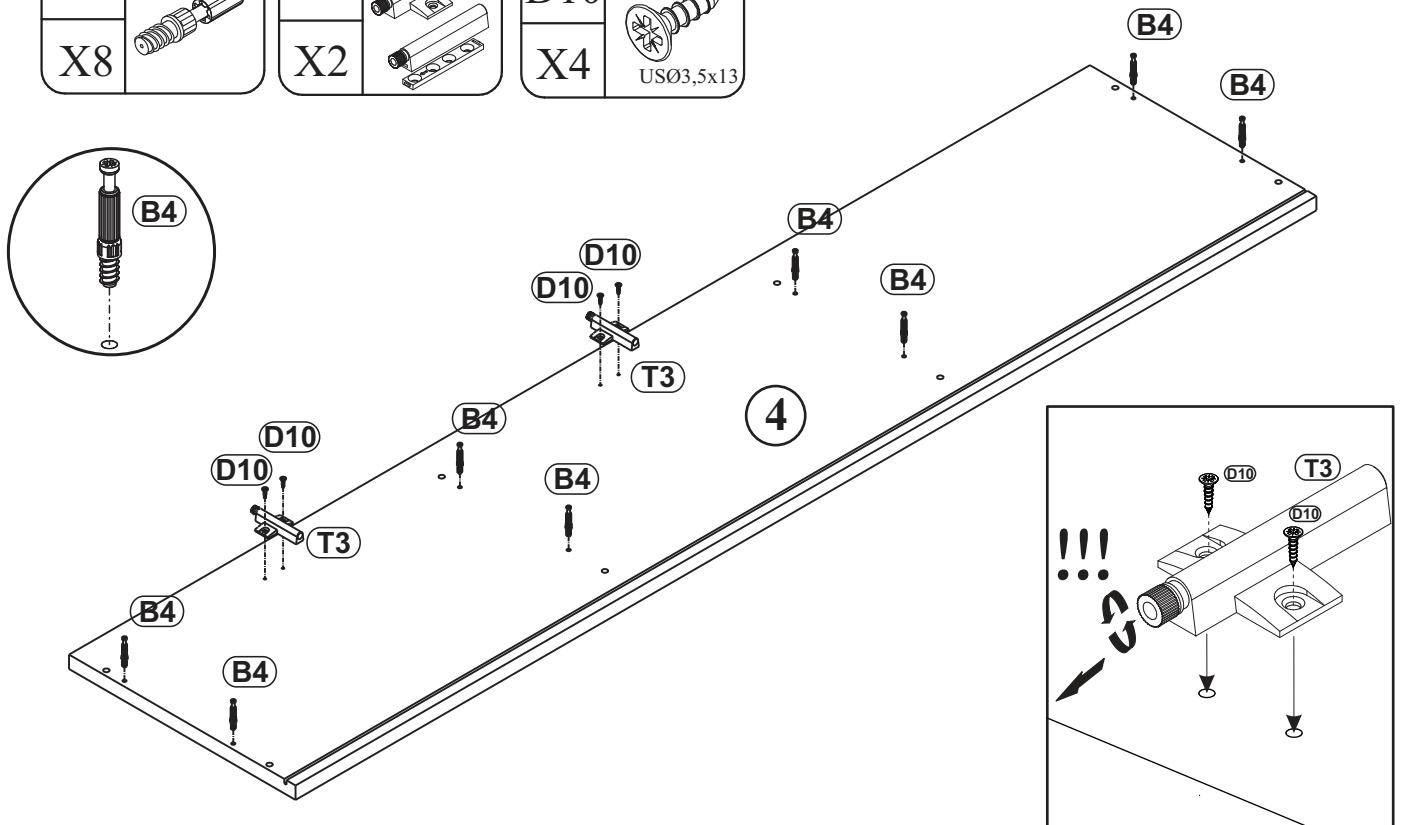
1

A1		B5	
X2	Ø8x36	X4	Ø15x12
E2		B4	
X4	H=0	X4	

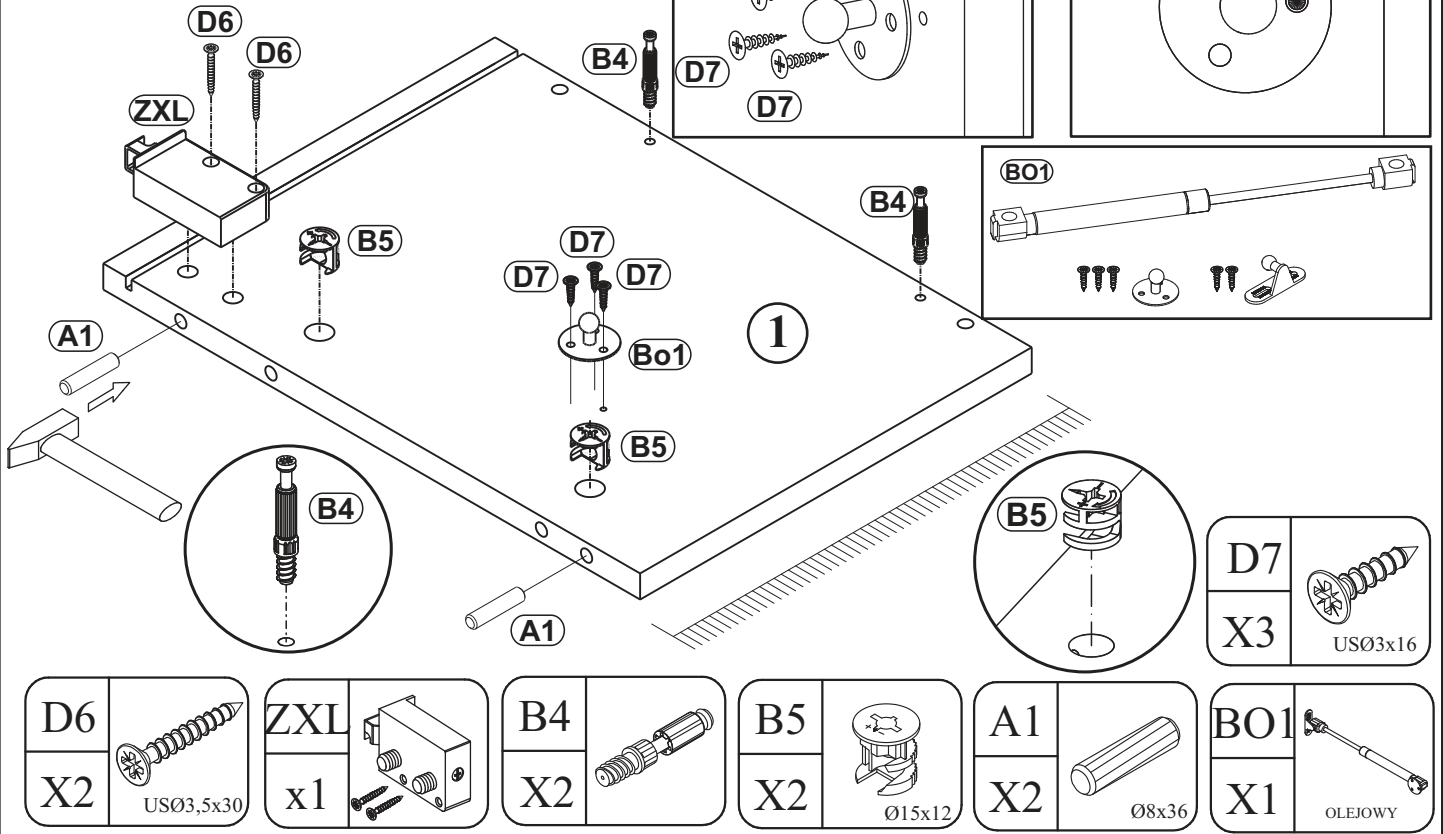


2

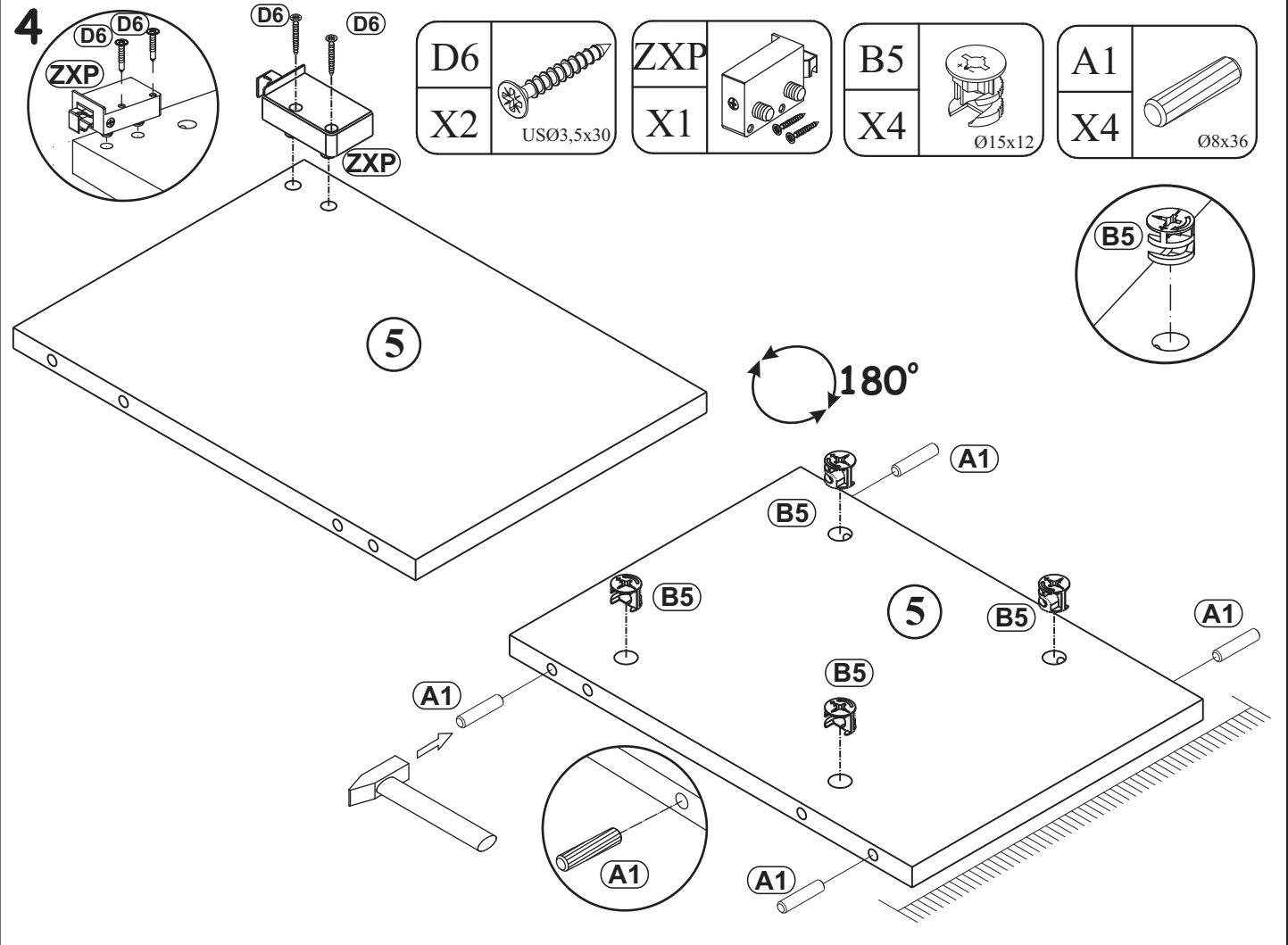
B4		T3/T5		D10	
X8		X2		X4	USØ3,5x13



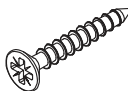
3

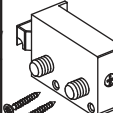



4




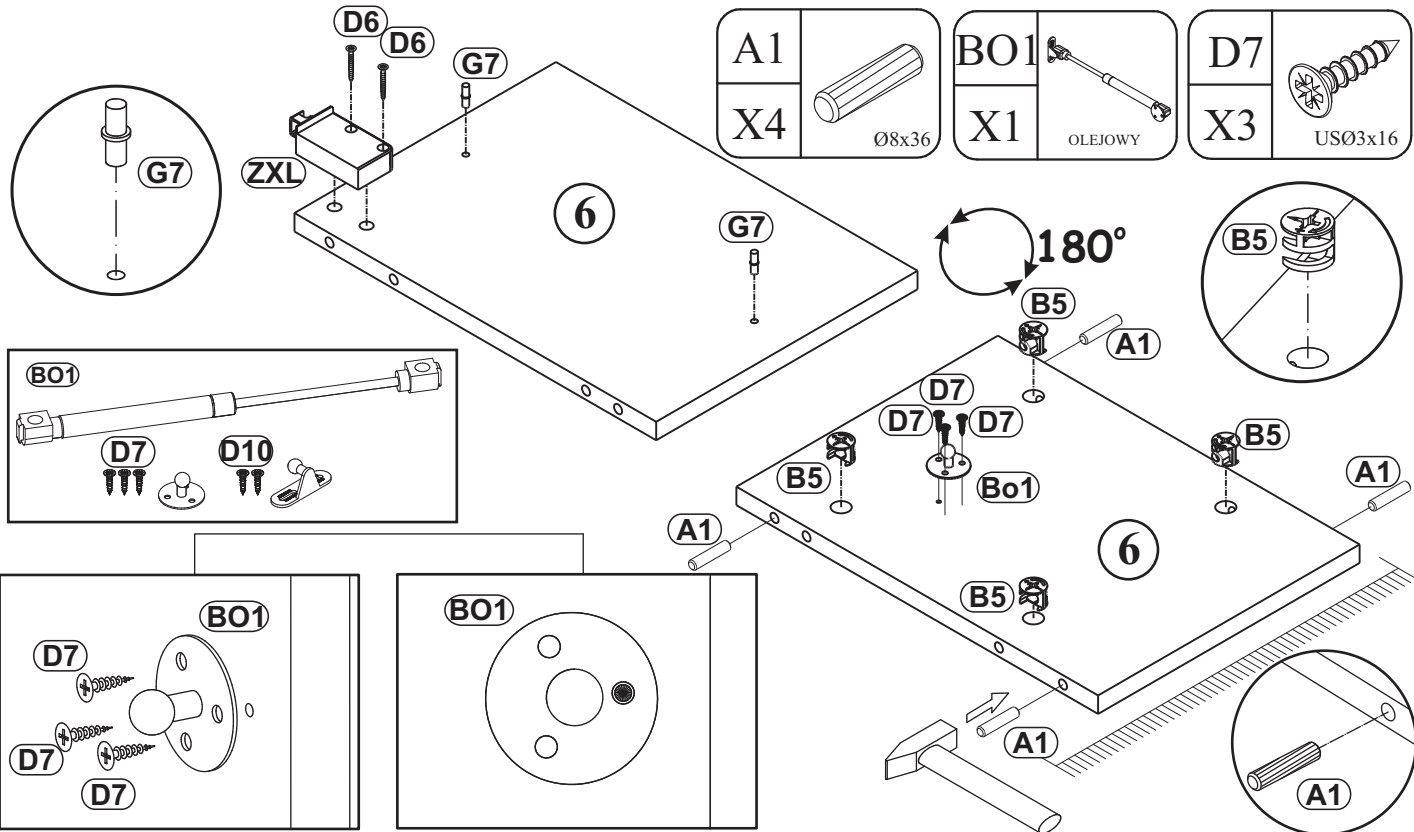
5

D6	
X2	USØ3,5x30

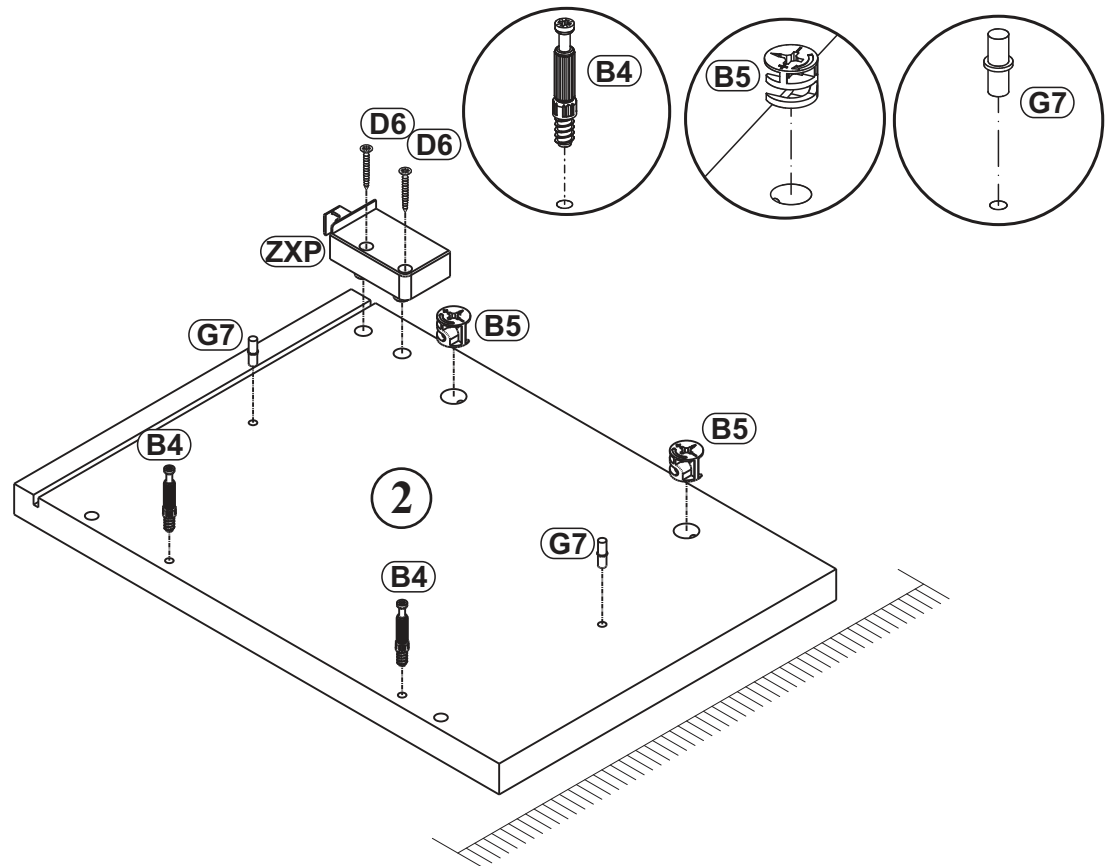
ZXL	
x1	

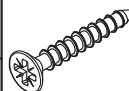
B5	
X4	Ø15x12

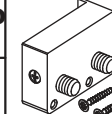
G7	
X2	

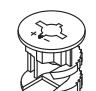



6

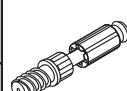


D6	
X2	USØ3,5x30


ZXP	
X1	

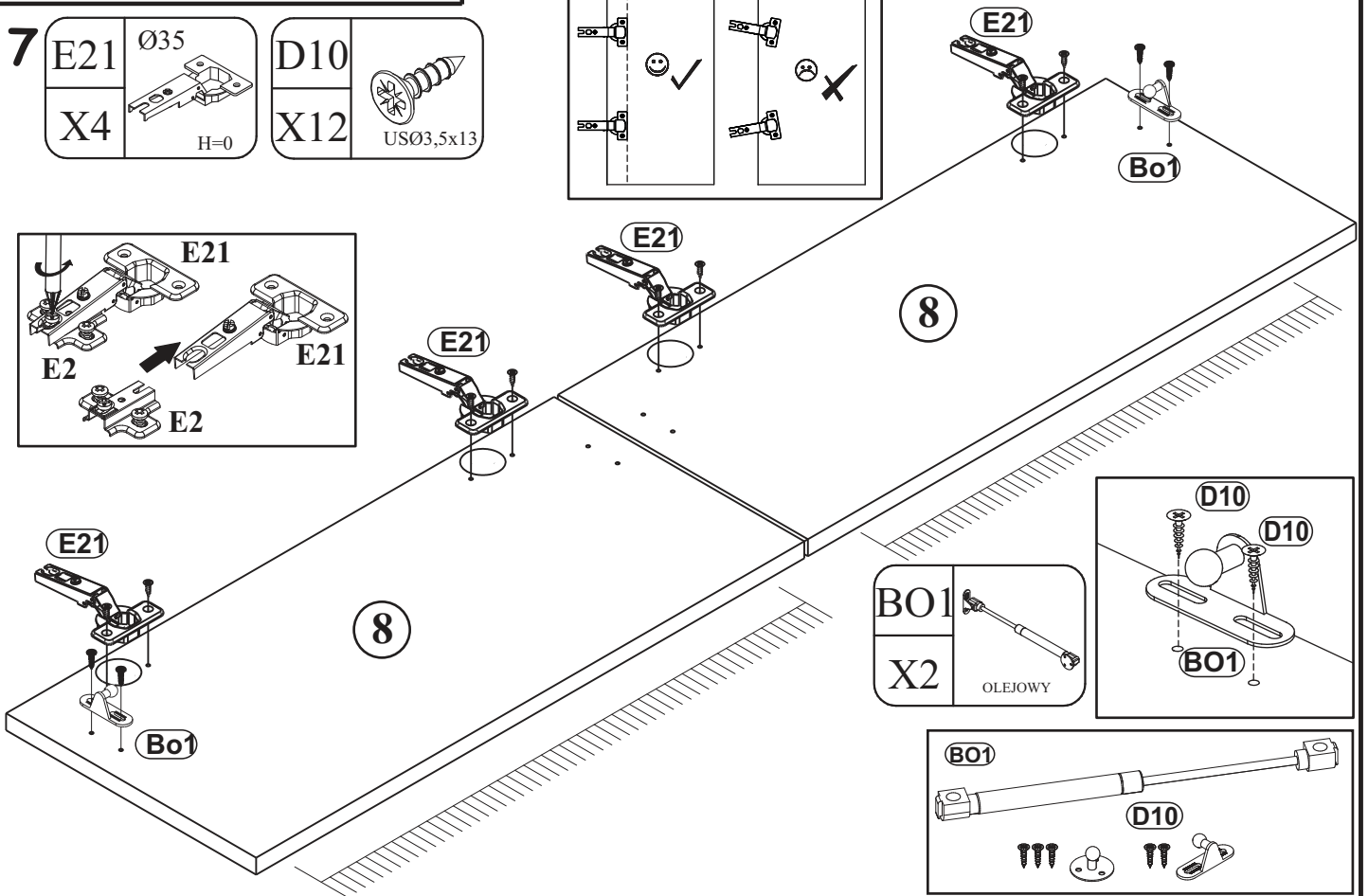
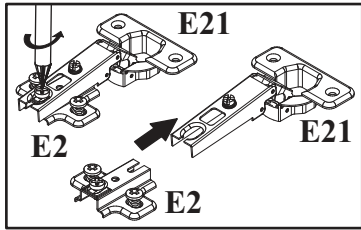
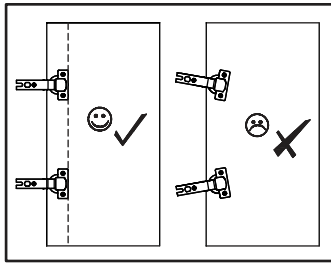
B5	
X2	Ø15x12

G7	
X2	

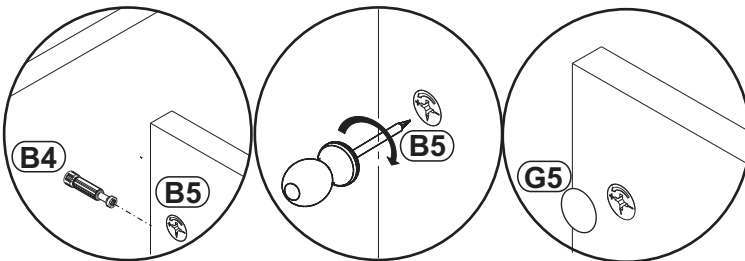
B4	
X2	


7

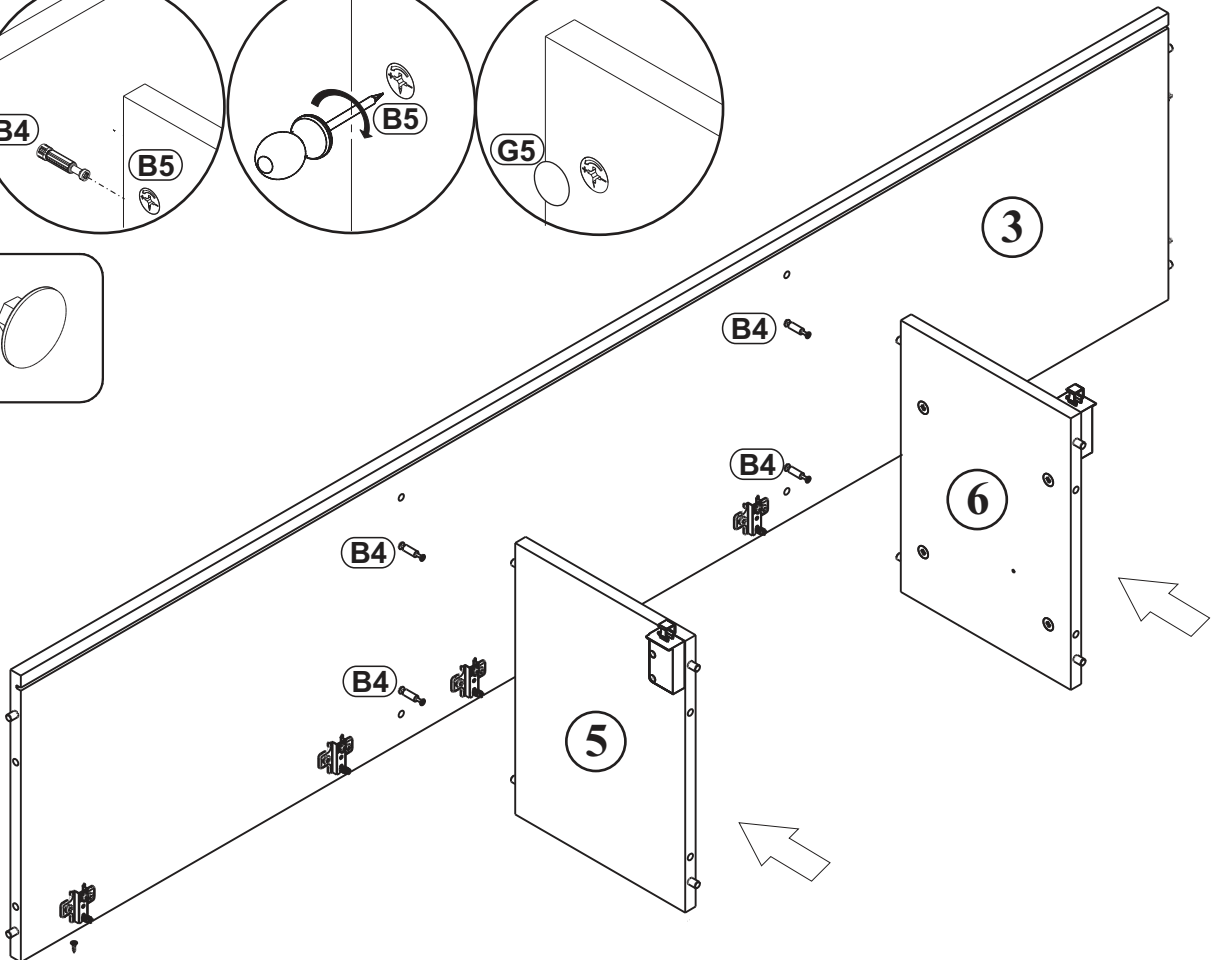
E21	Ø35	D10	 USØ3,5x13
X4	H=0	X12	



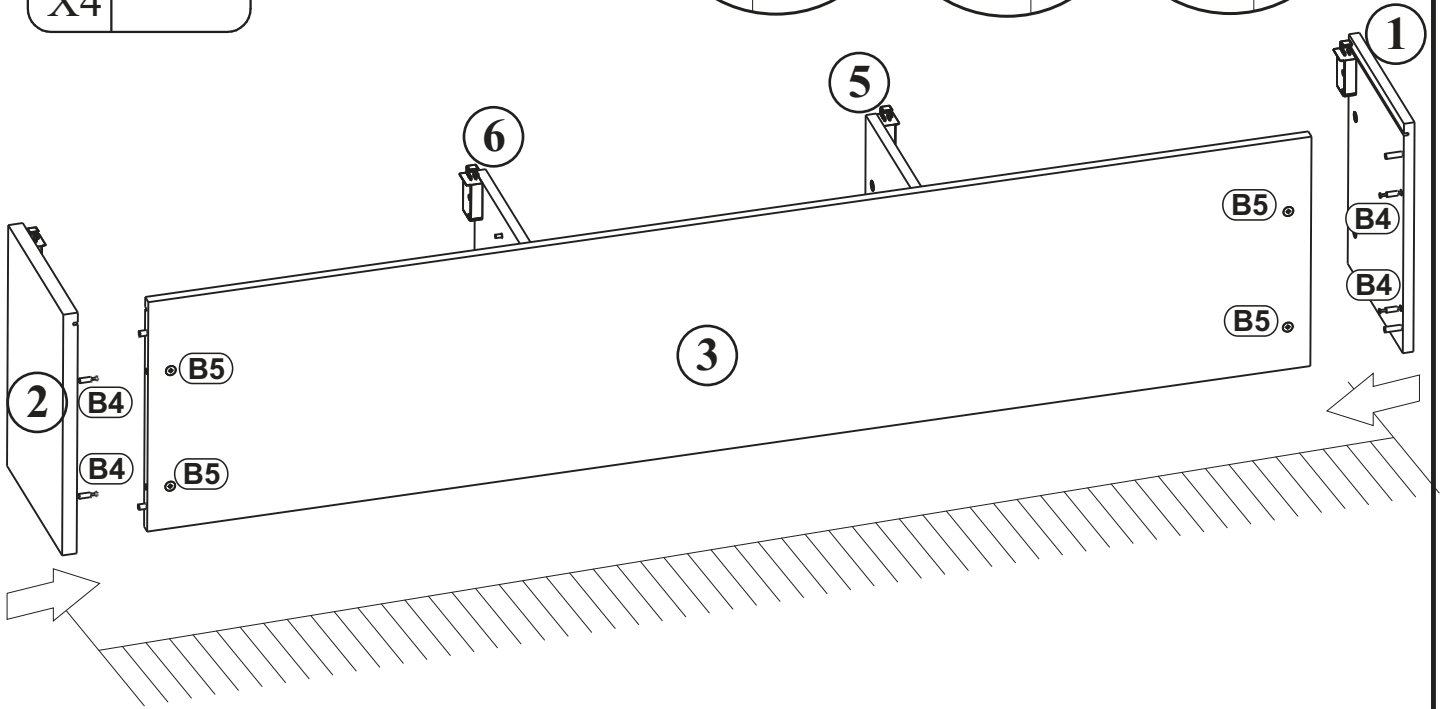
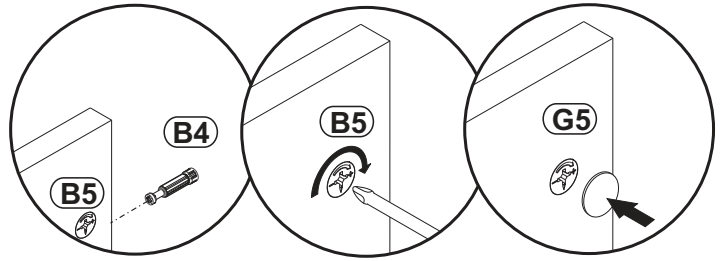
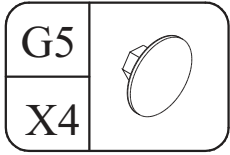
8



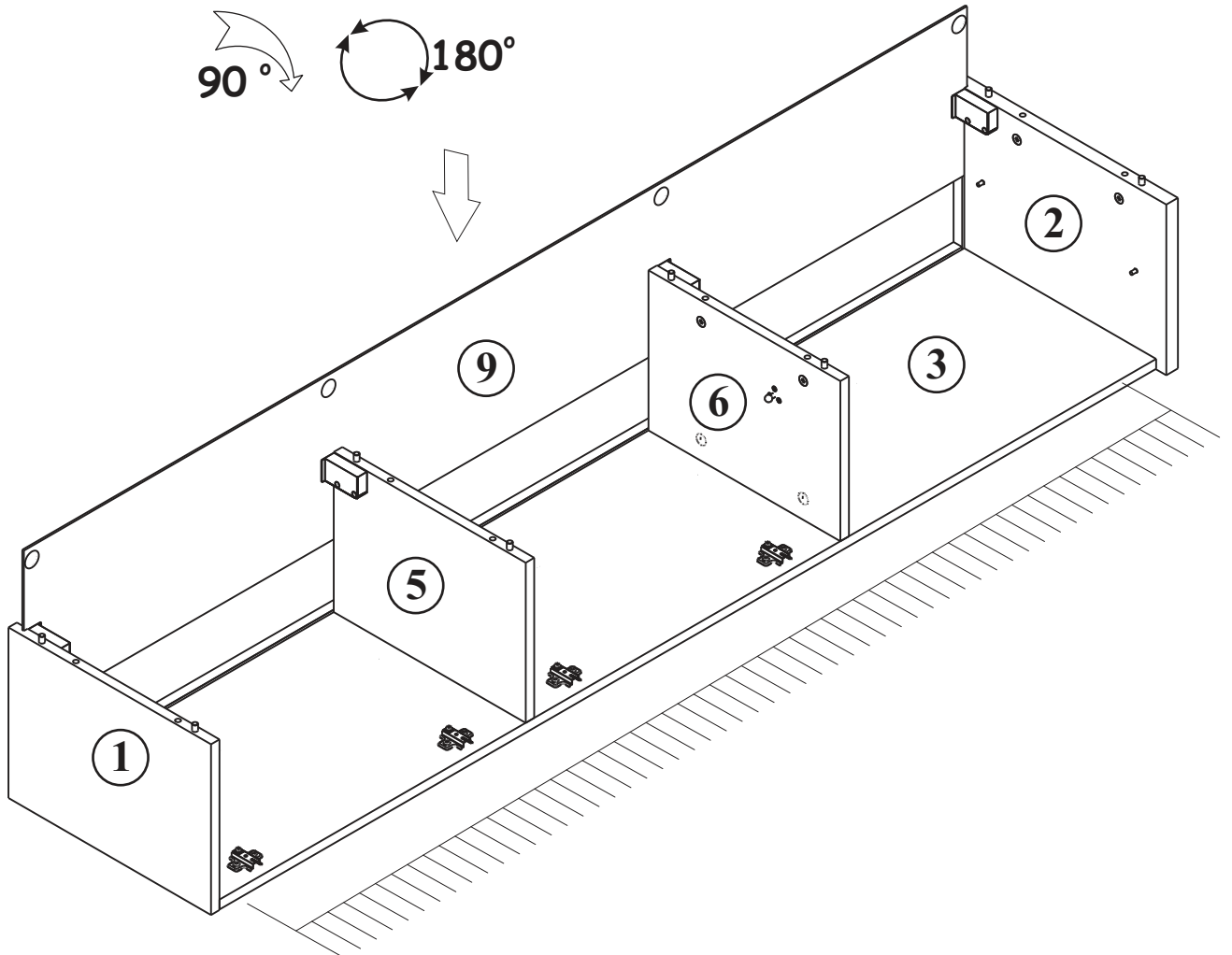
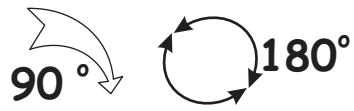
G5	
X4	



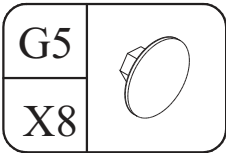
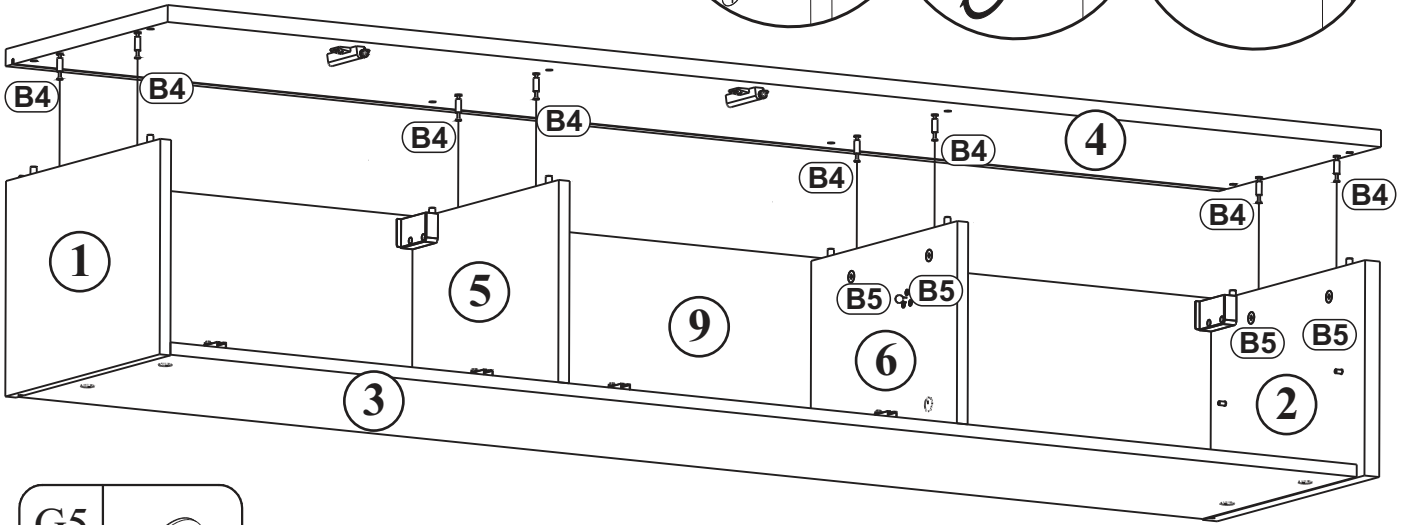
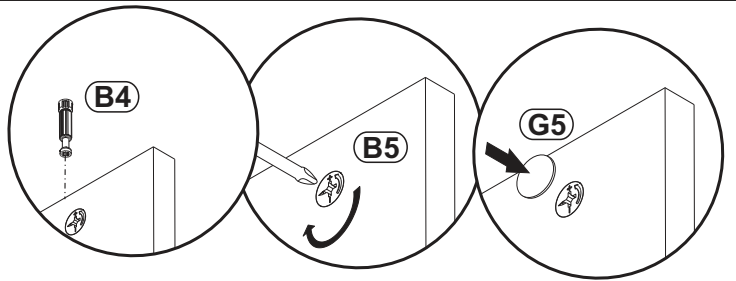
9



10



11



12

