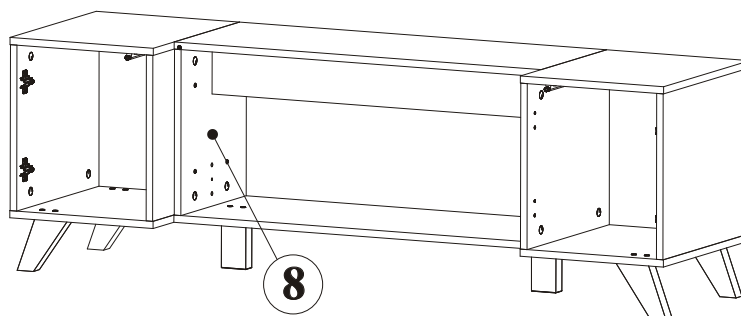
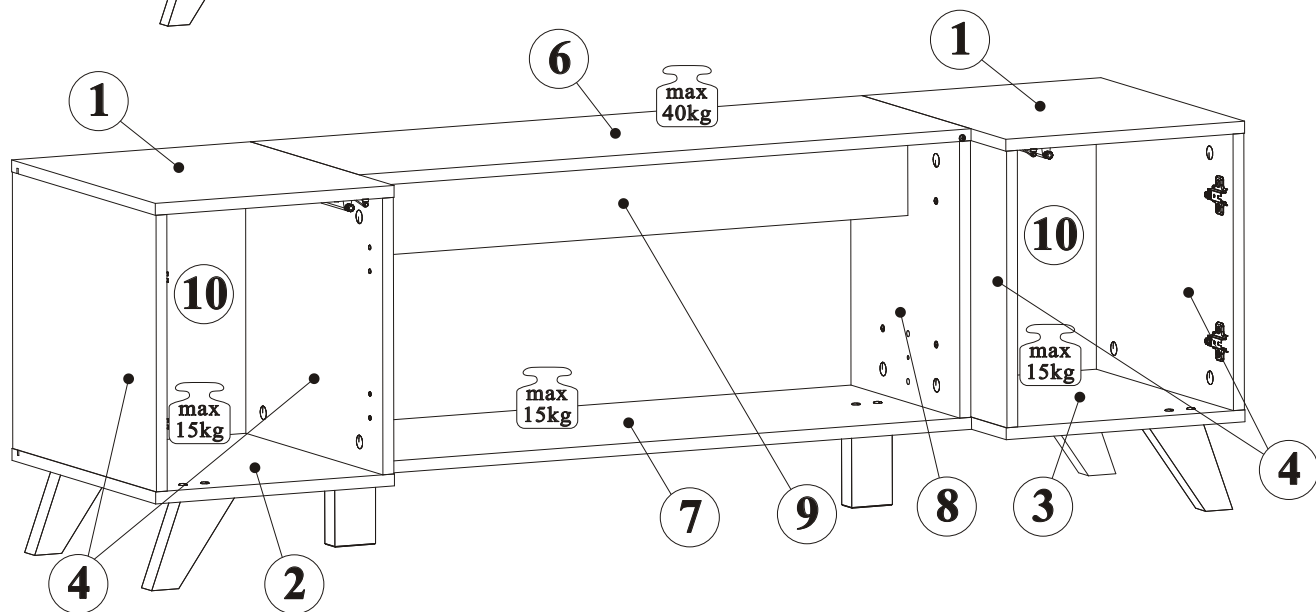
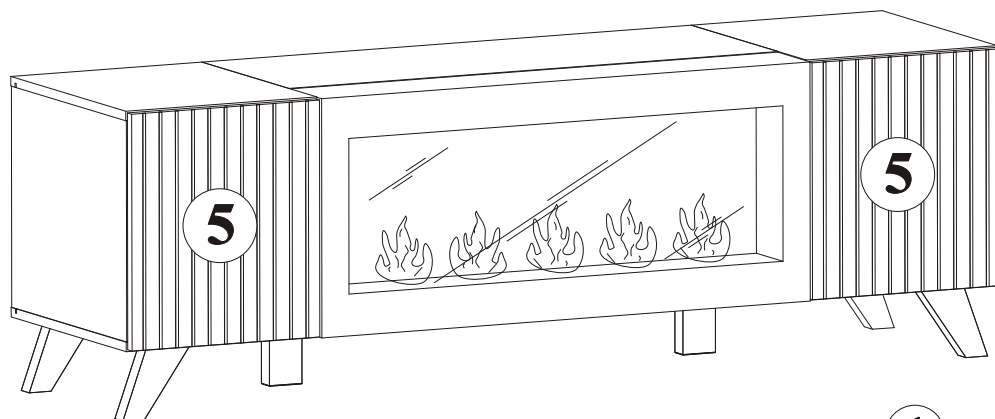
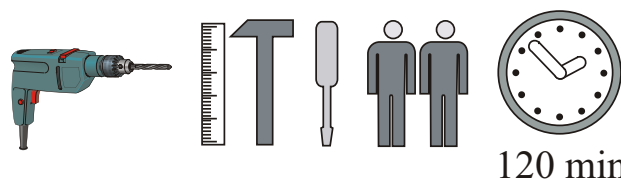


LIAM-__LM RTV-K

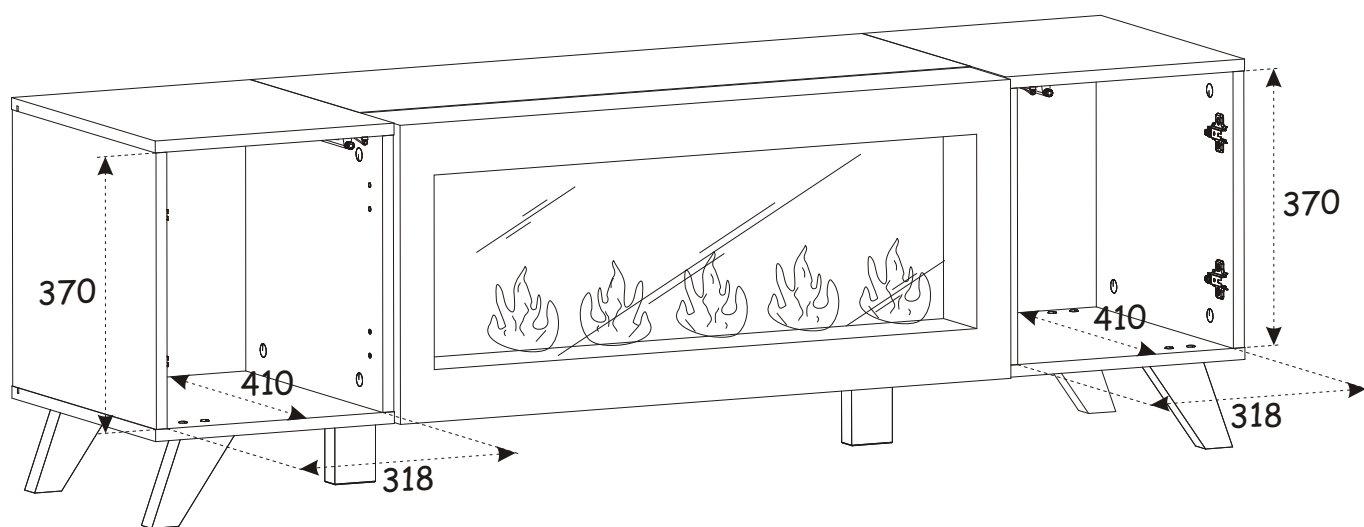
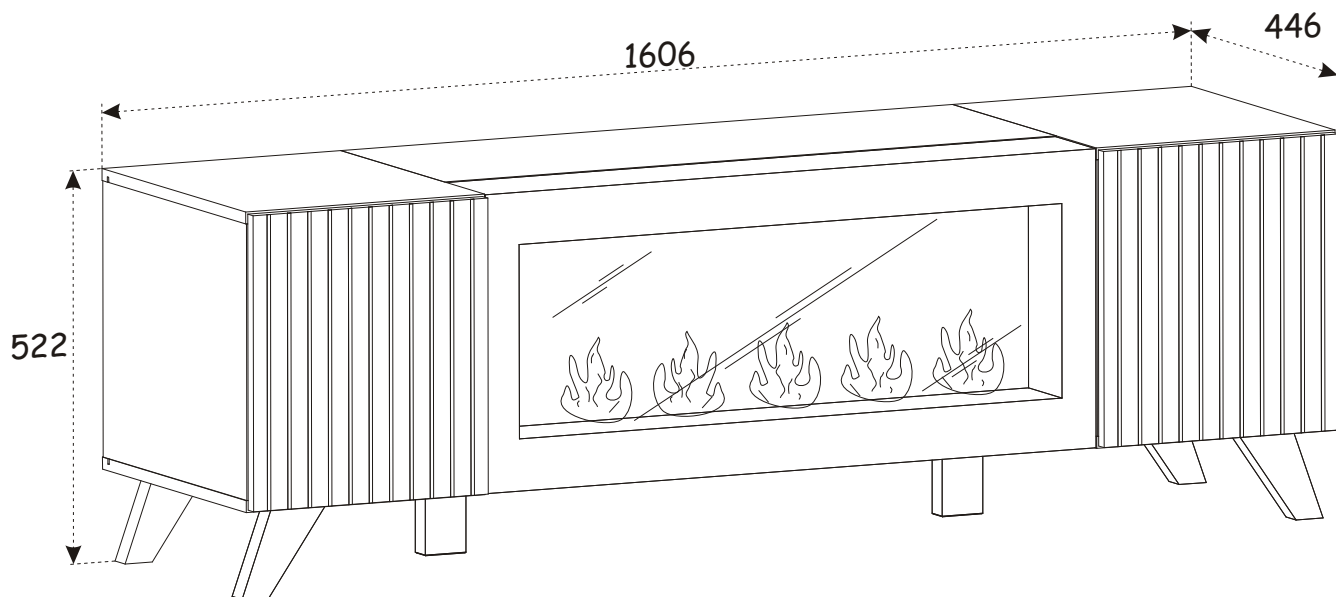


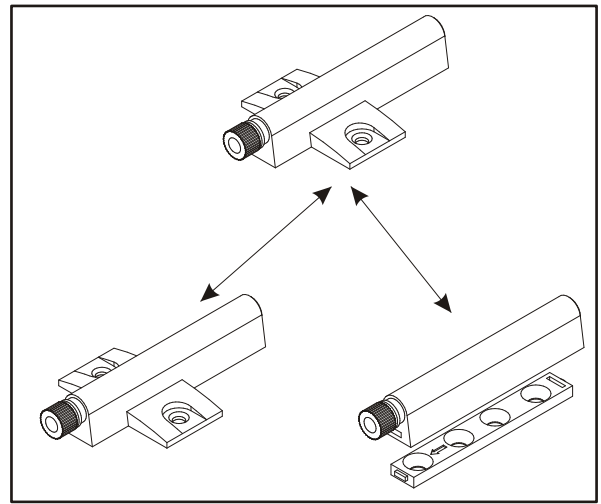
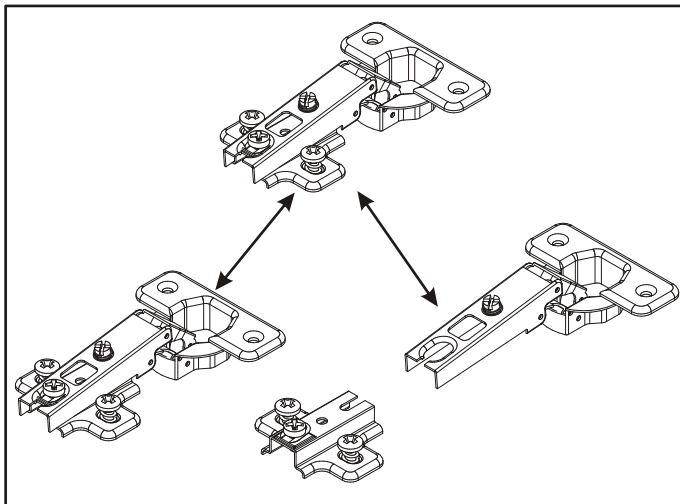
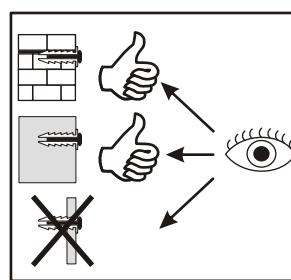
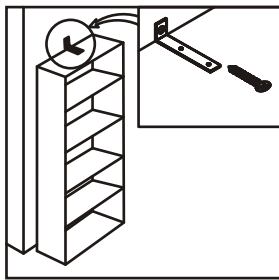
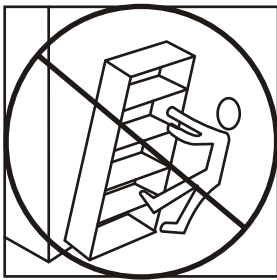
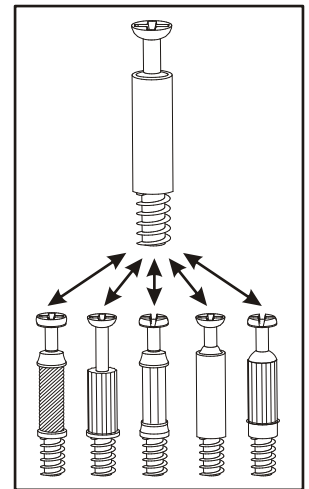
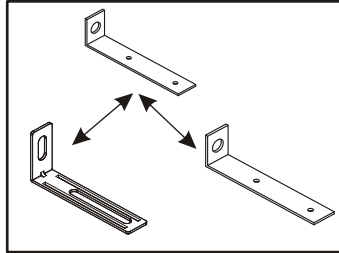
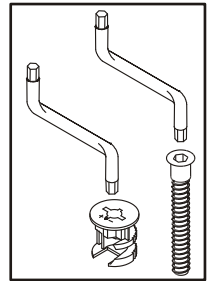
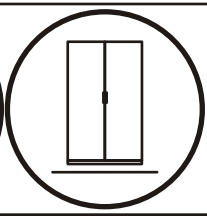
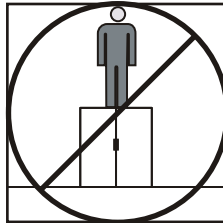
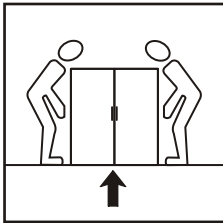
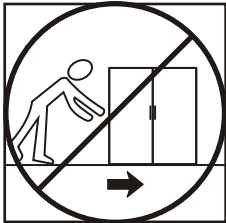
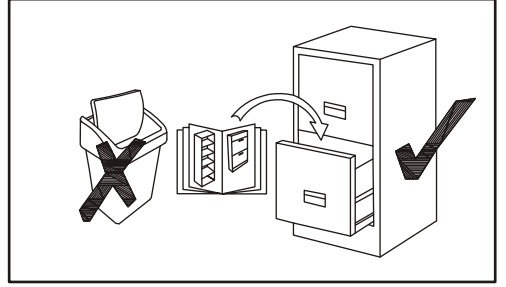
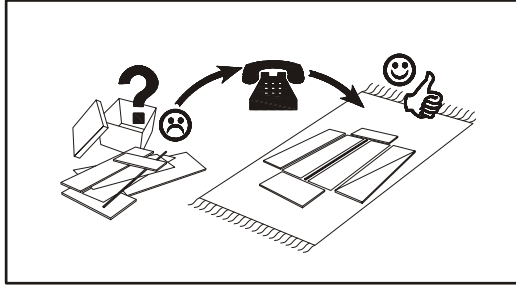
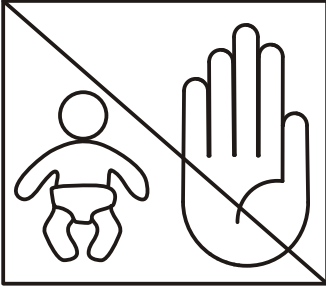
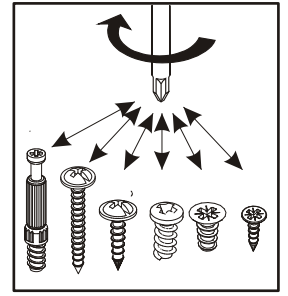
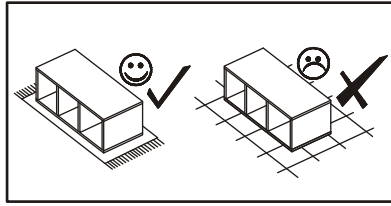
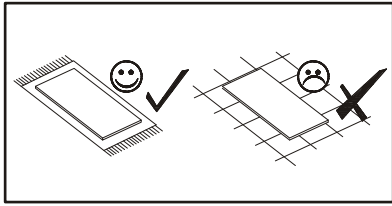
NO	Dim (mm)			Col.-No	Qty
1	352	430	16	1/2	2
2	352	430	16	1/2	1
3	352	430	16	1/2	1
4	370	430	16	1/2	4
5	396	346	16	1/2	2
6	902	326	16	2/2	1
7	902	326	16	2/2	1
8	370	326	16	2/2	2
9	868	120	16	2/2	1
10	382	330	3	1/2	2



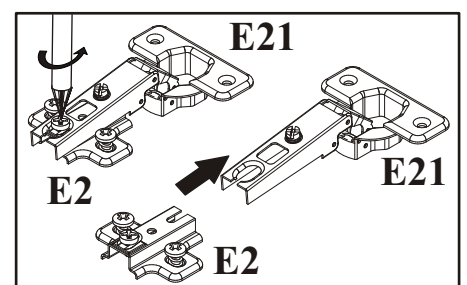
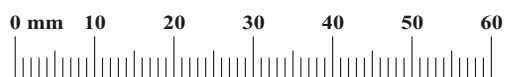
120 min

LIAM-__LM RTV-K

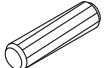


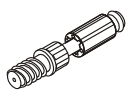



A1 x28 Ø8x36	B11 x12 Ø7x50	G4 x12	B4 x26	B5 x26 Ø15x12	G5 x26
E21 x4 Ø35 H=0	E2 x4 H=0	T3/T5 x2	S1 x12	SK x4 H=120	SP x2 H=120
Z2 x8 Ø5	D10 x16 USØ3,5x13	UP6 x10 UPØ4x30	KR1 x2 Ø8	L1 x2	G2 x1

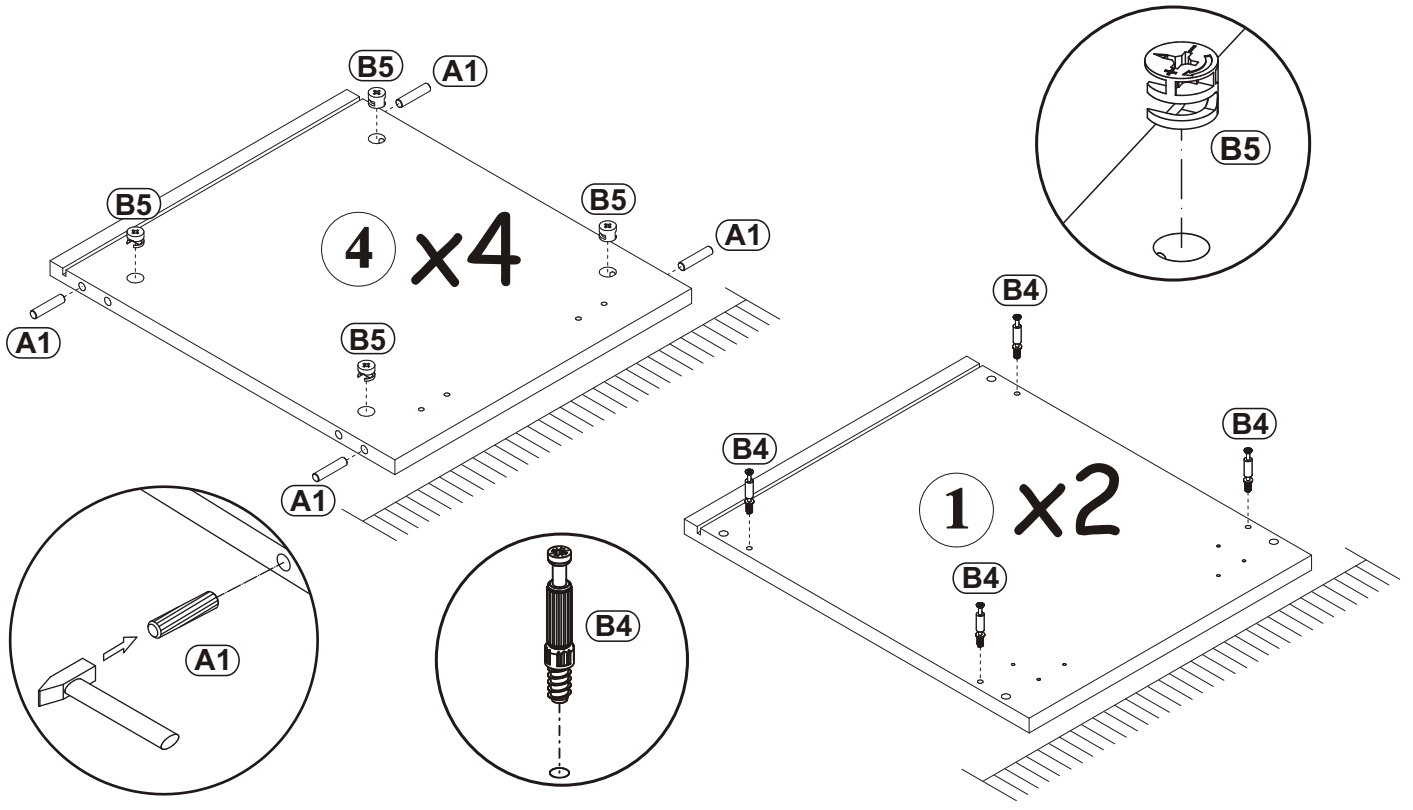


1

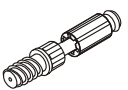
A1	
x16	∅8x36

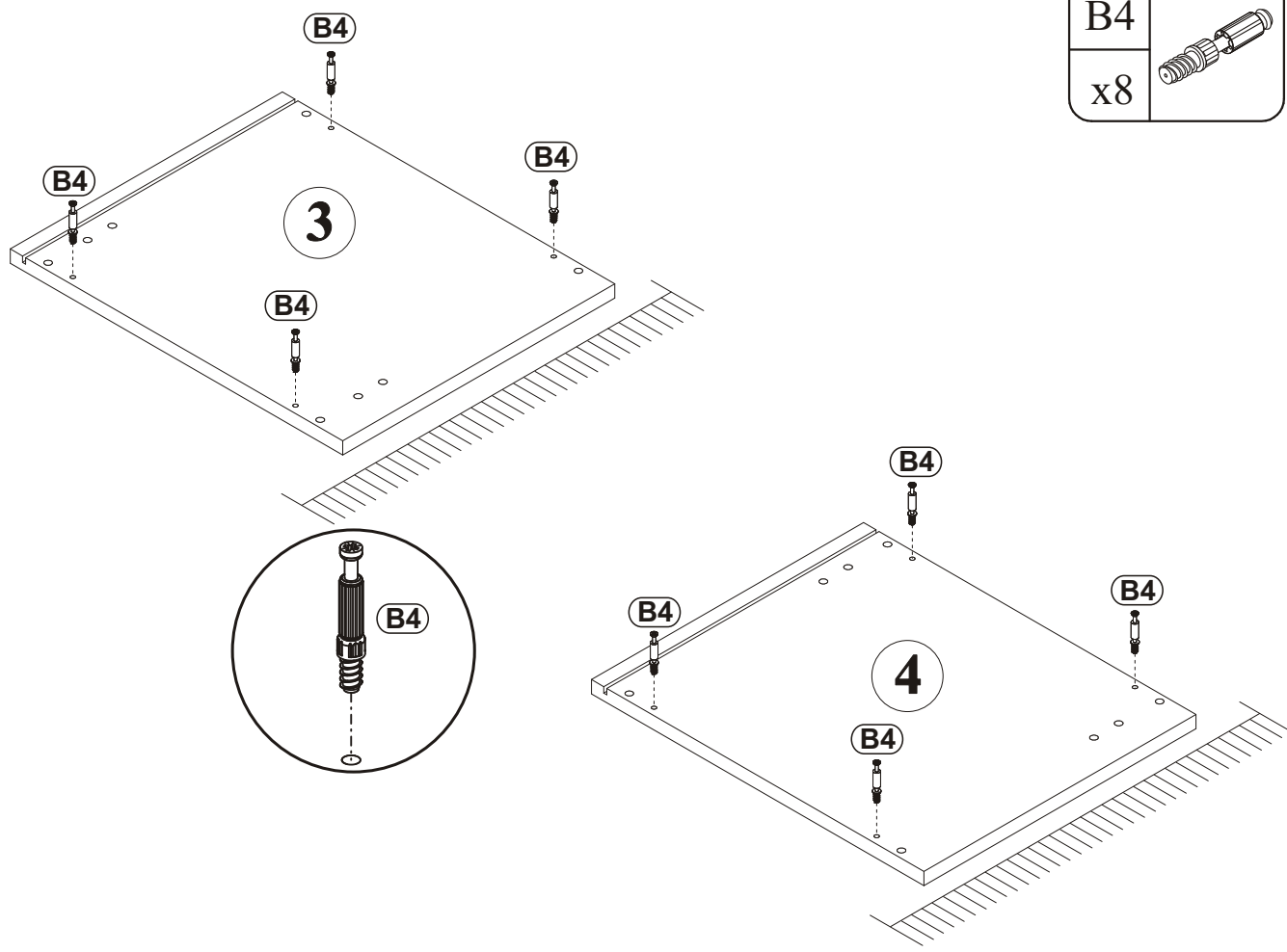
B4	
x8	

B5	
x16	∅15x12

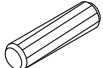



2

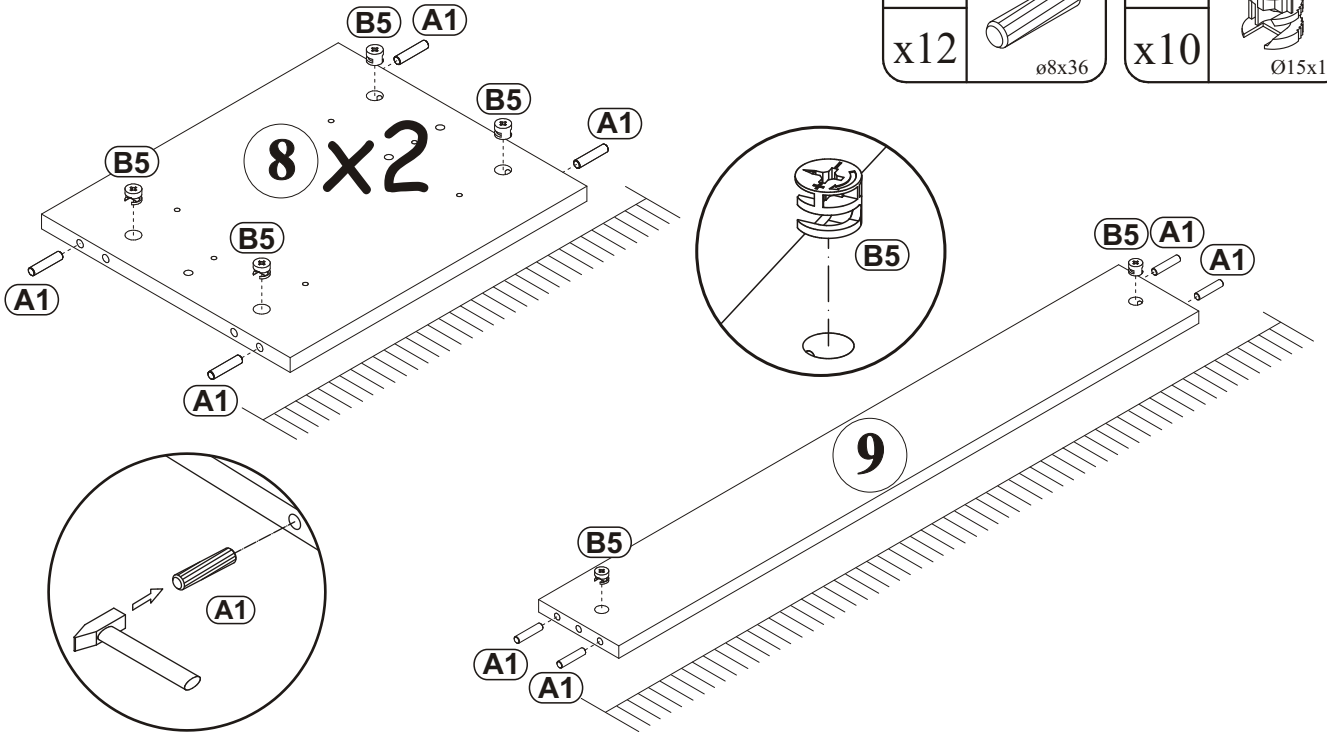
B4	
x8	



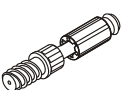
3

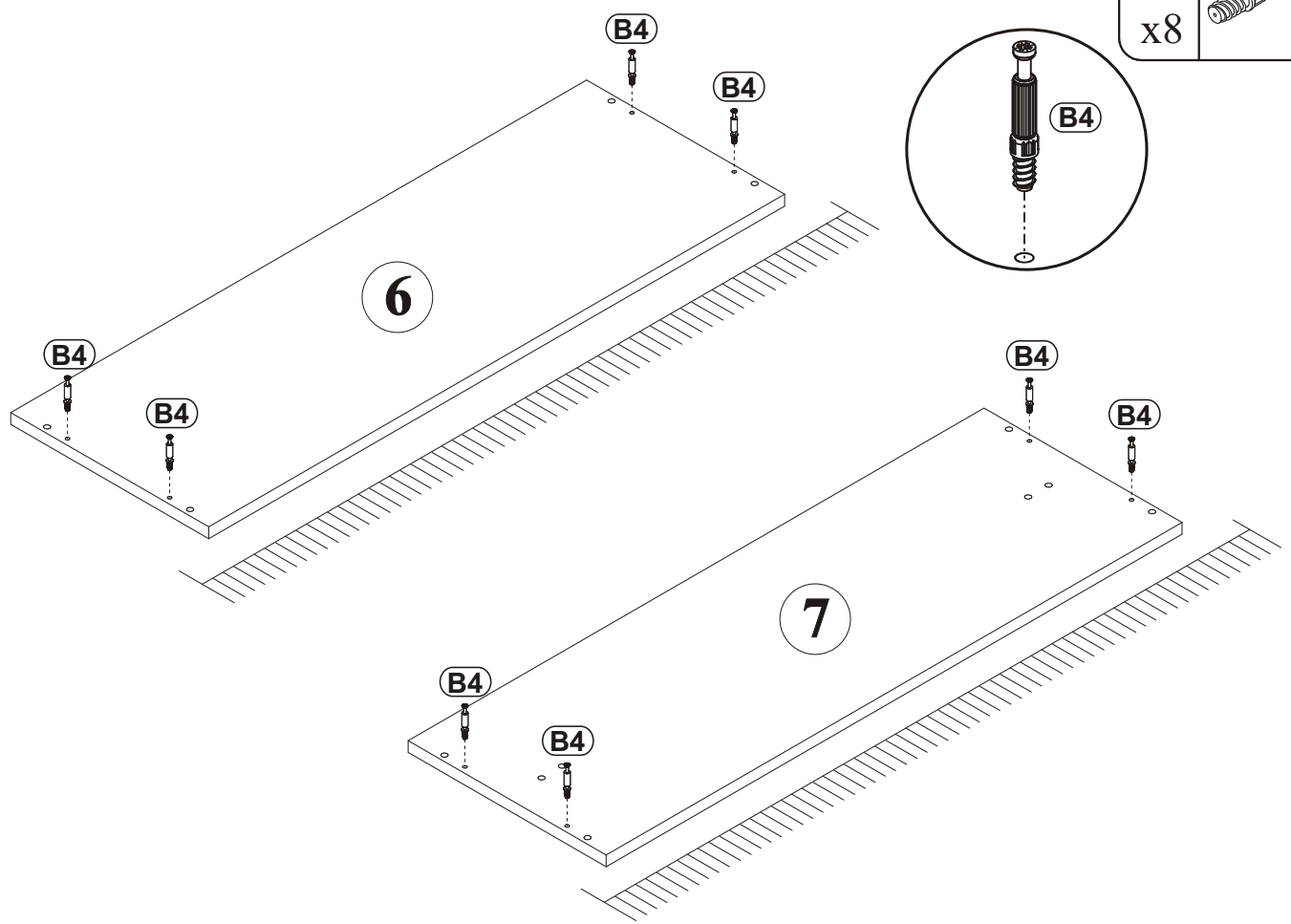
A1	
x12	ø8x36

B5	
x10	Ø15x12

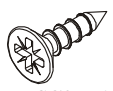


4

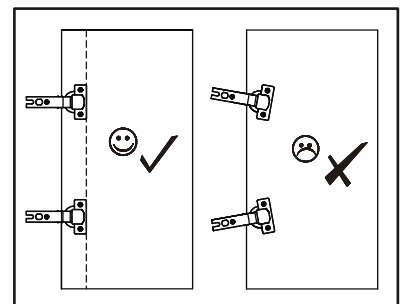
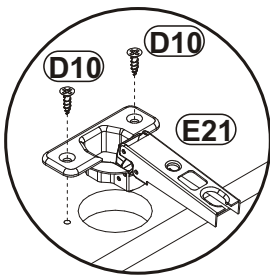
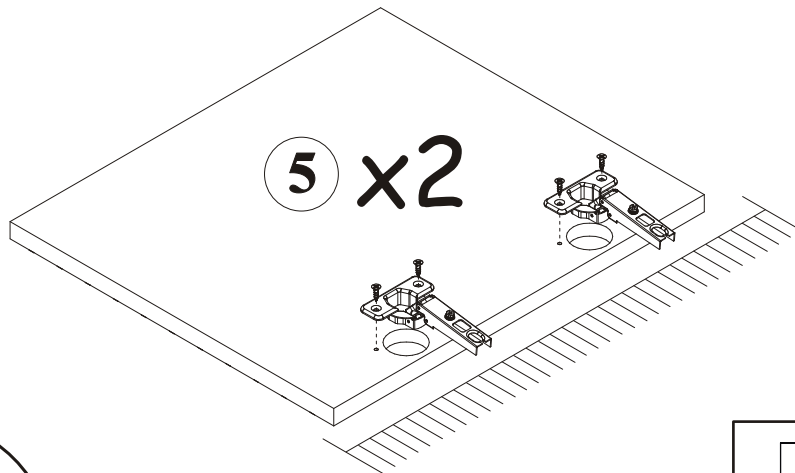
B4	
x8	



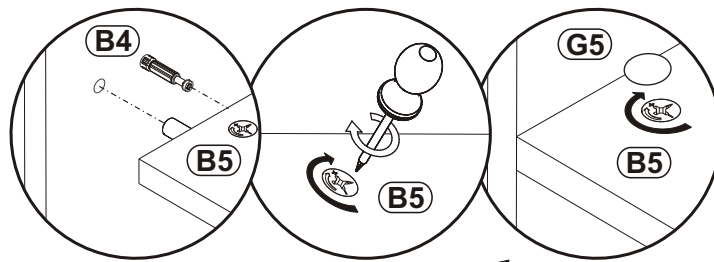
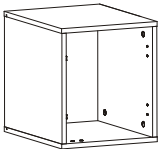
5


D10	
x8	USØ3,5x13

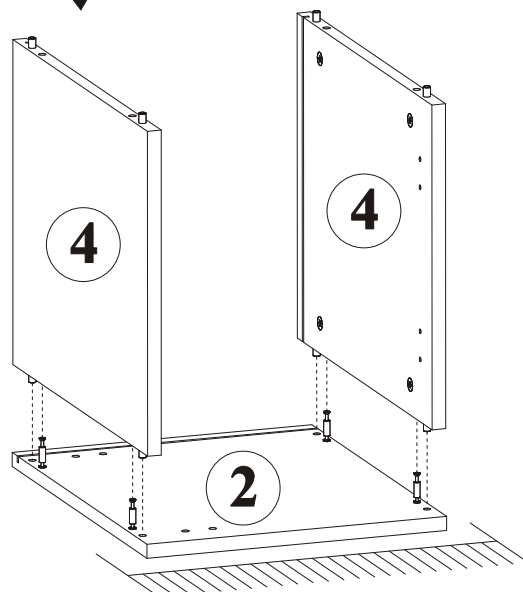
E21	Ø35
x4	H=0



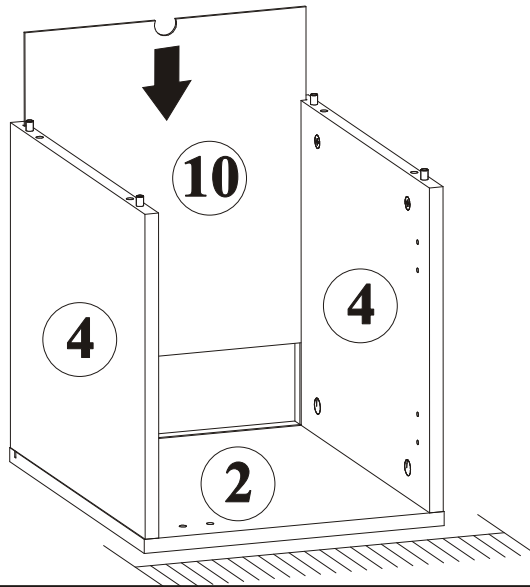
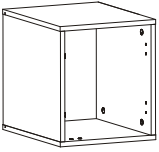
6



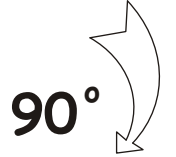
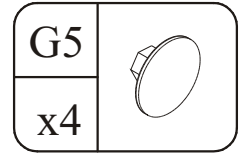
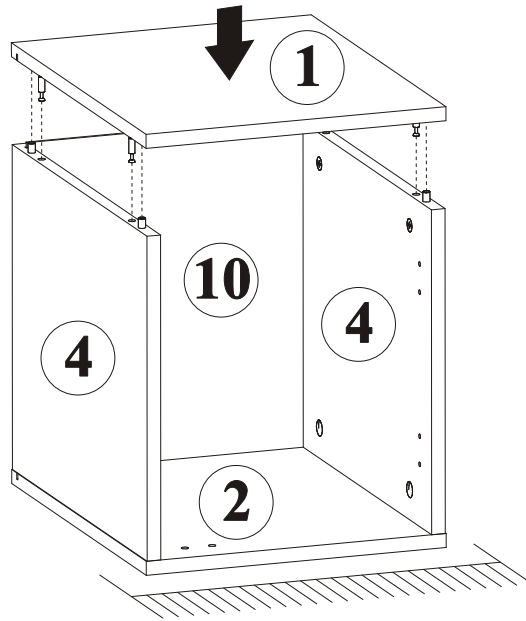
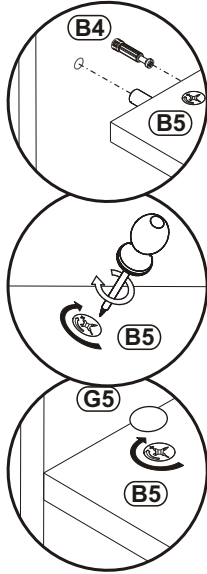
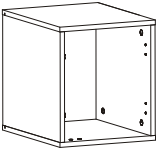
G5	
x4	



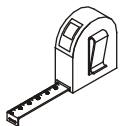
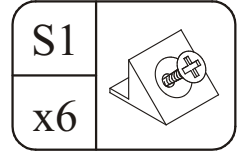
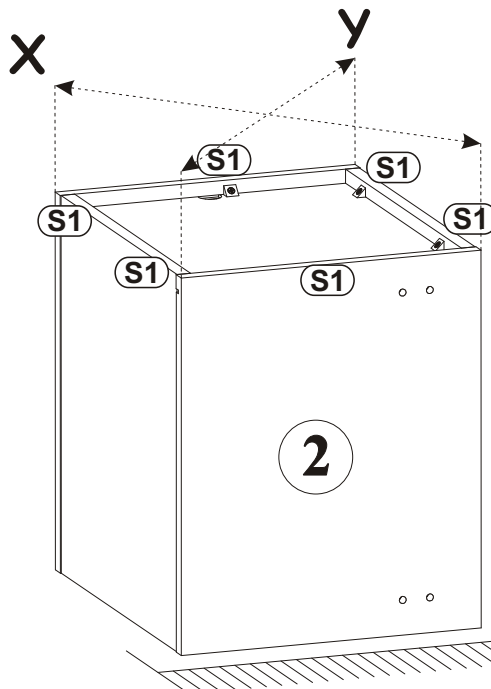
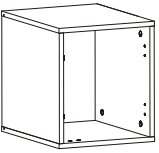
7



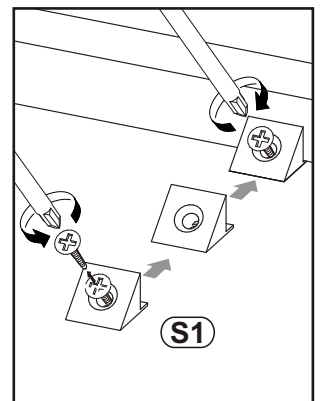
8



9

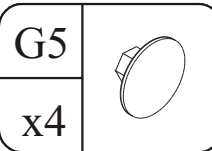
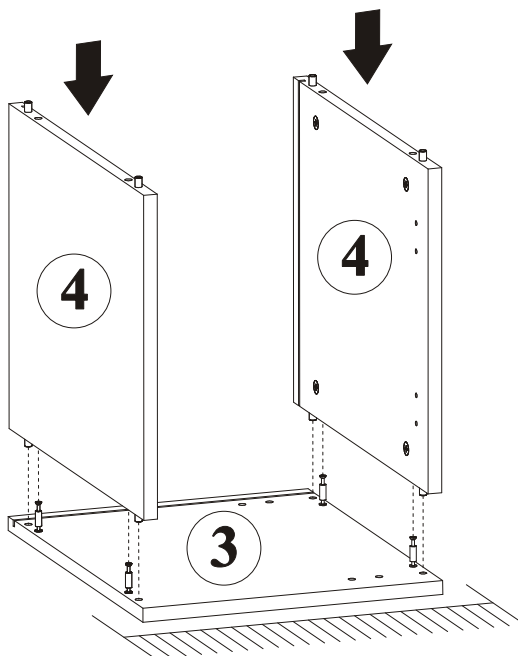
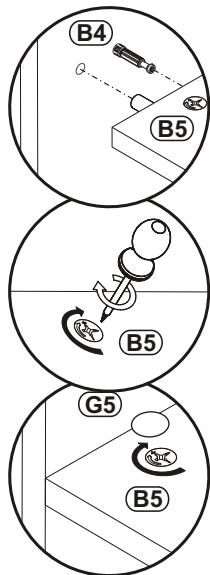
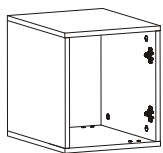


$X=Y$

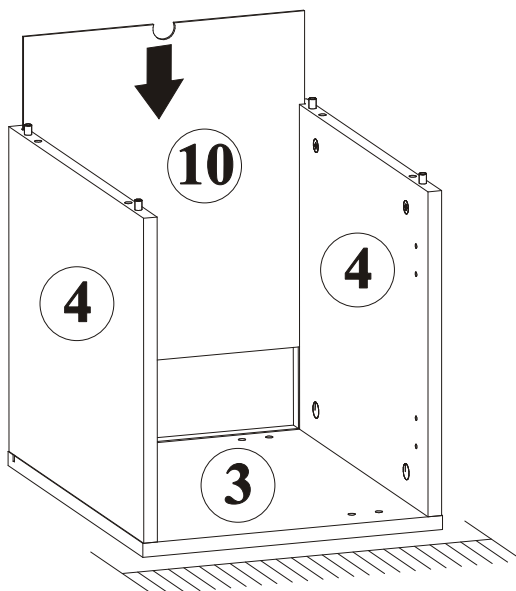
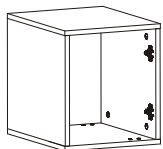


LIAM-__LM RTV-K

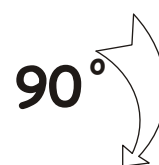
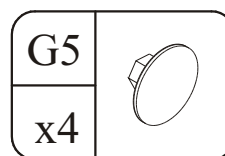
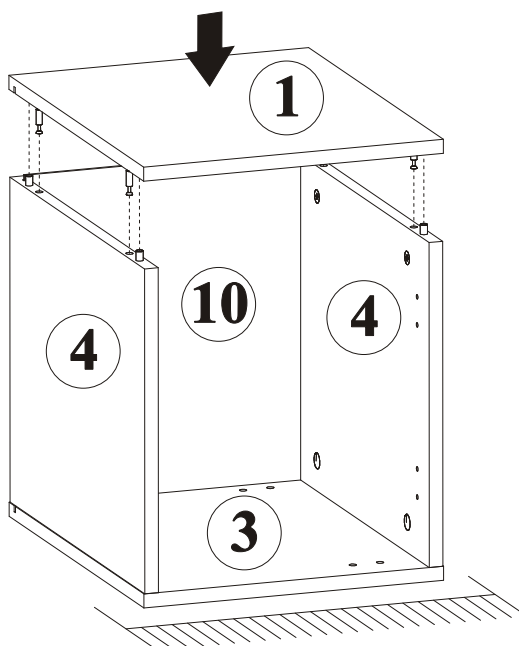
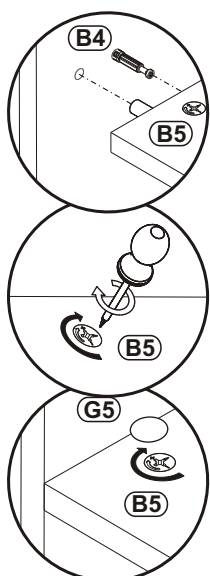
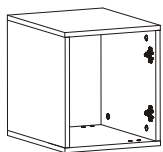
10



11

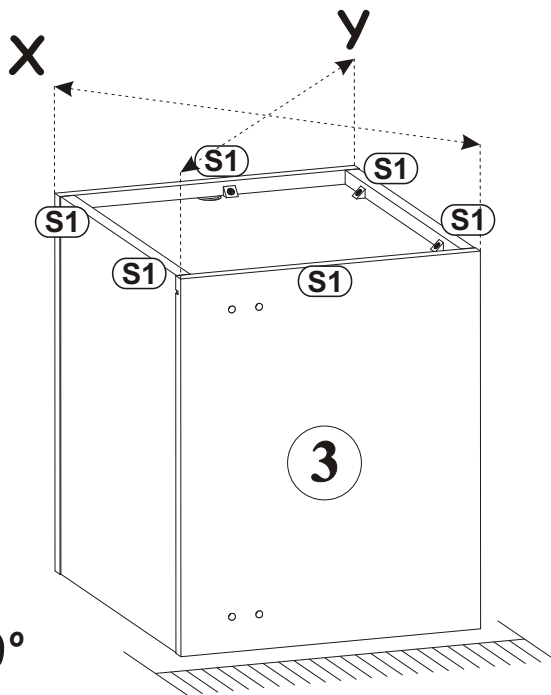
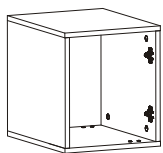


12

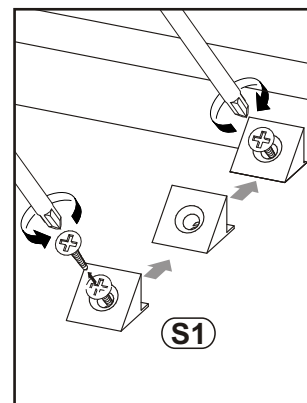


LIAM-__LM RTV-K

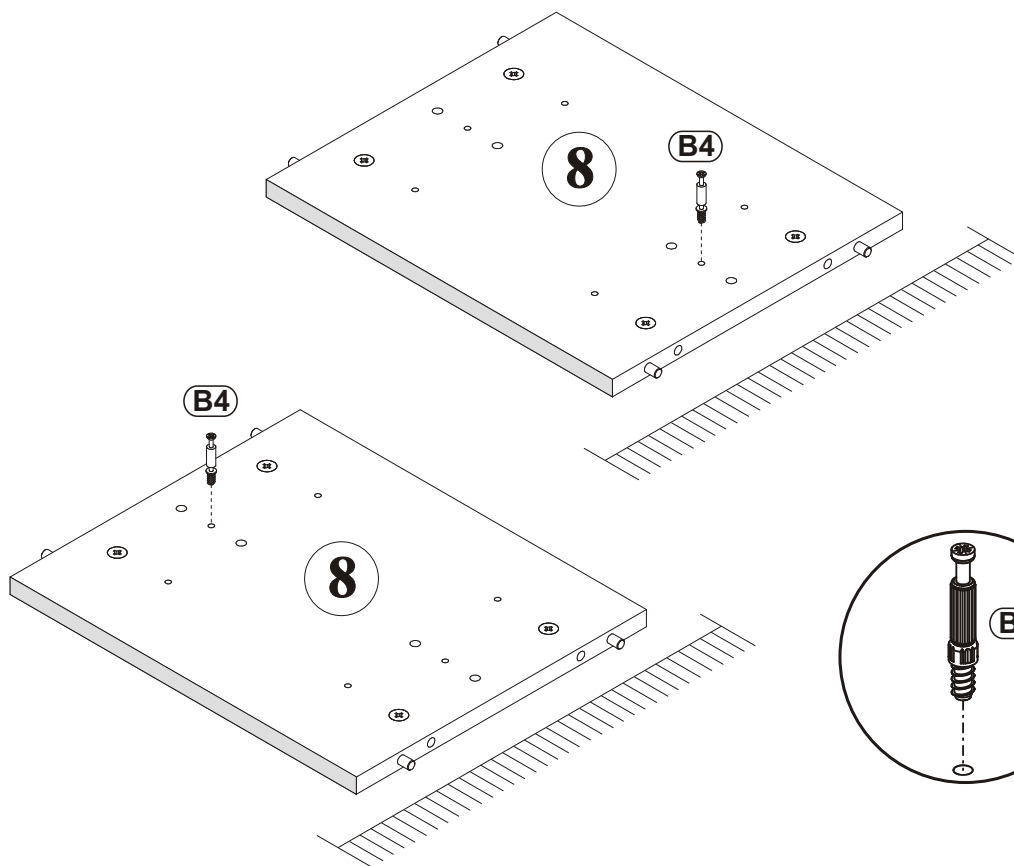
13



S1	
x6	

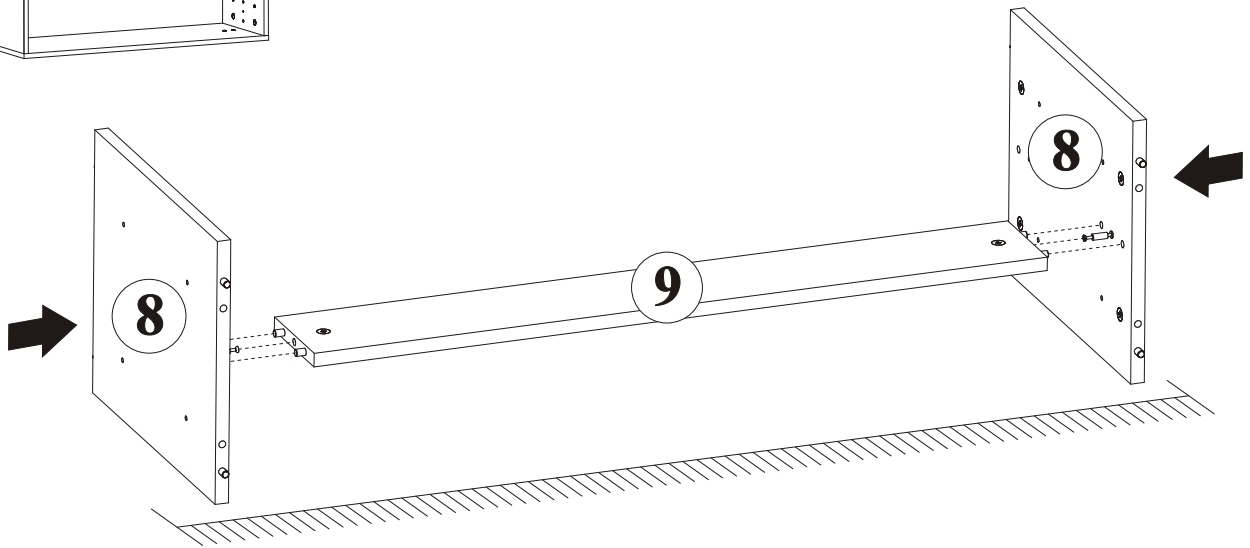
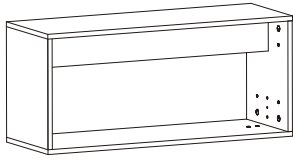


14



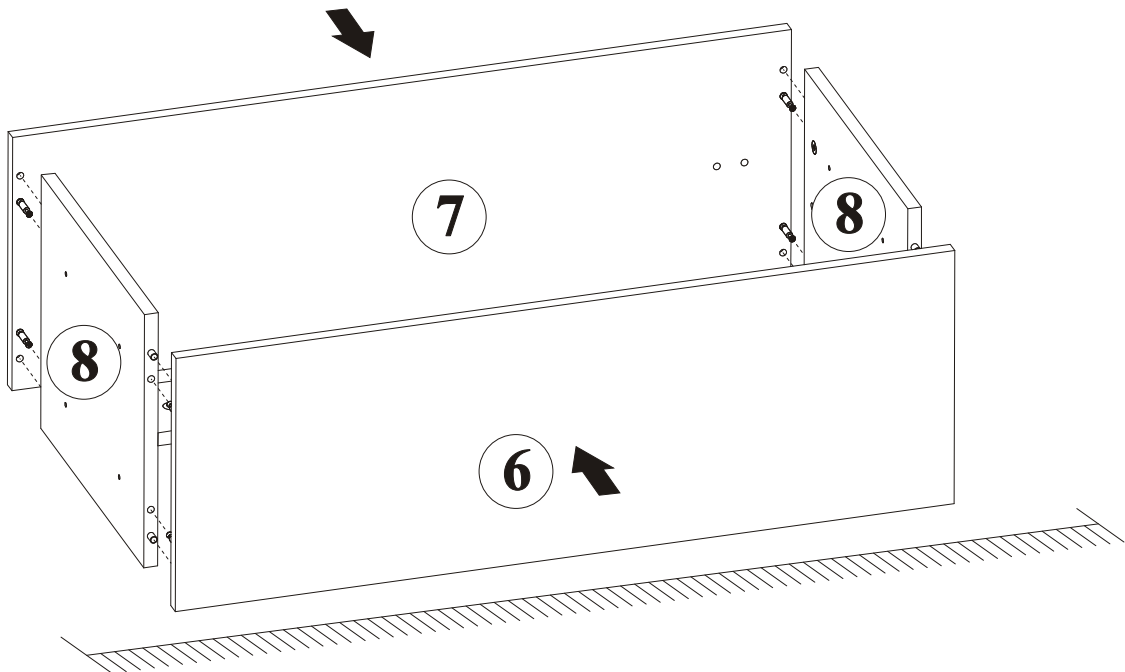
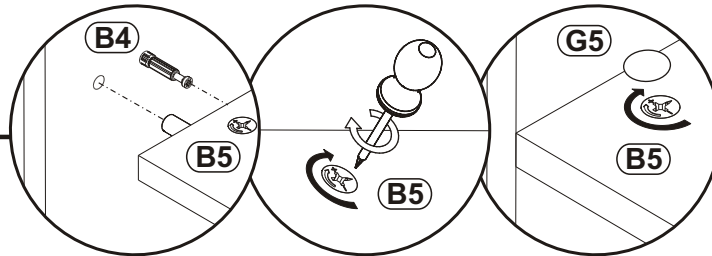
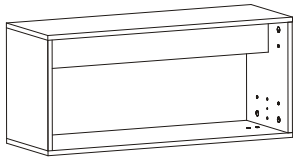
B4	
x2	

15



G5	
x2	

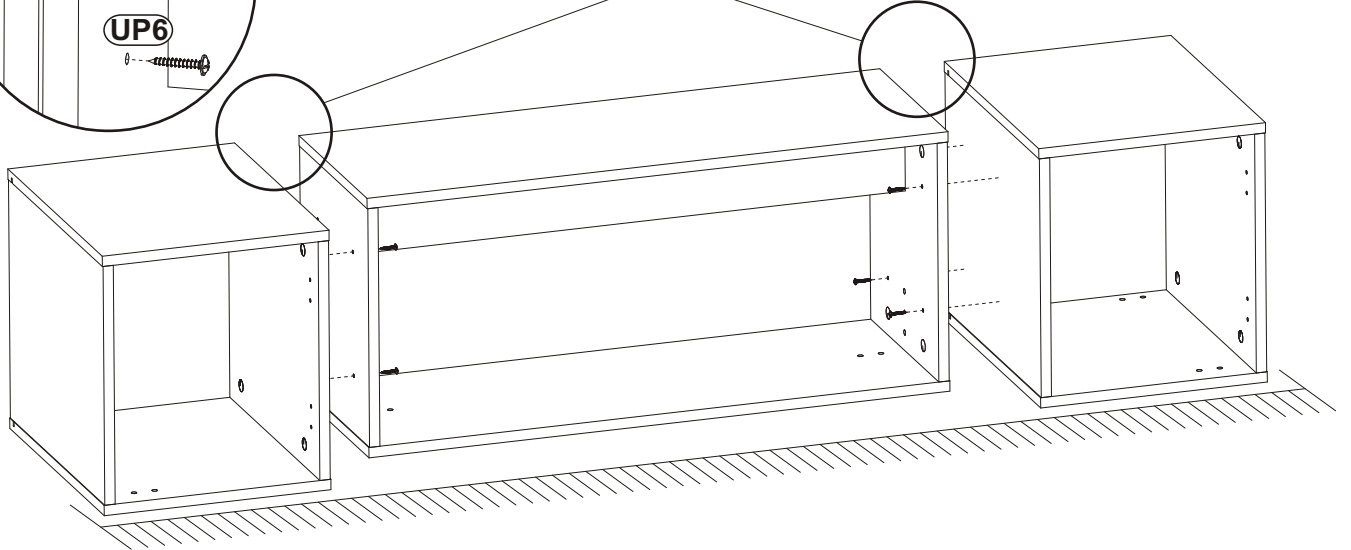
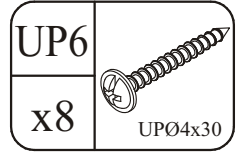
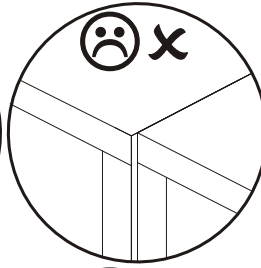
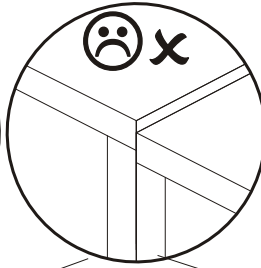
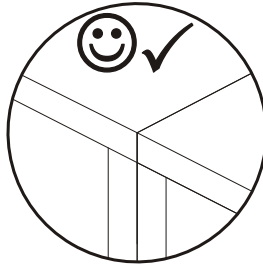
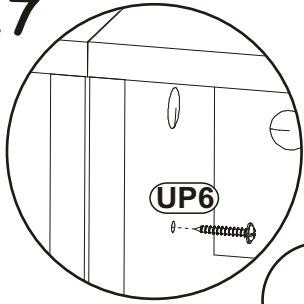
16



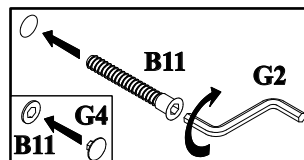
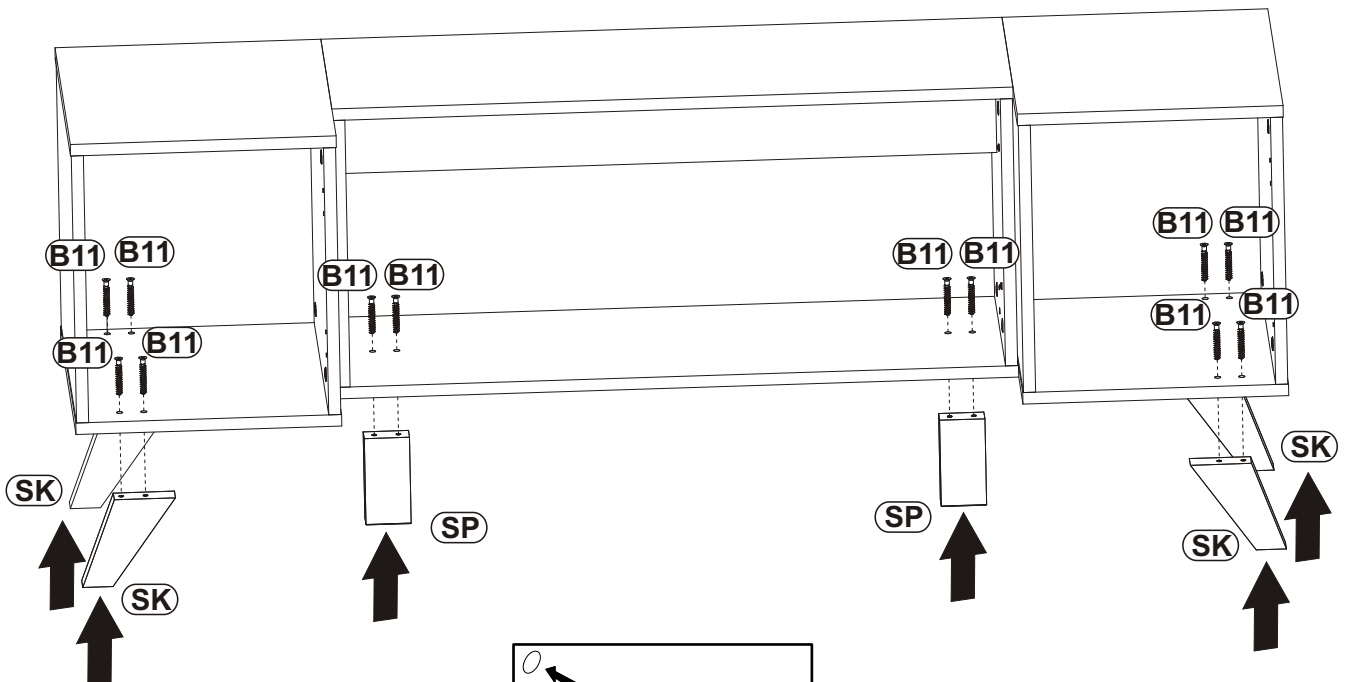
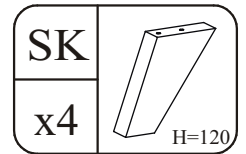
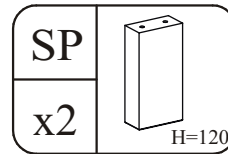
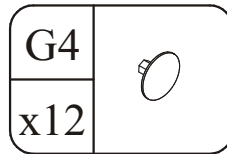
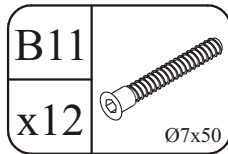
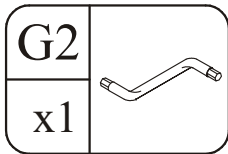
G5	
x8	

LIAM-__LM RTV-K

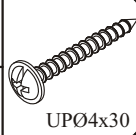
17




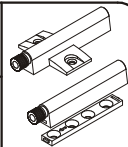
18




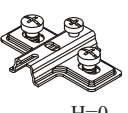
19

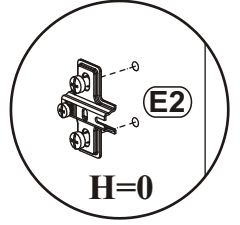
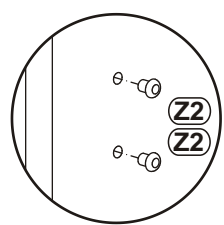
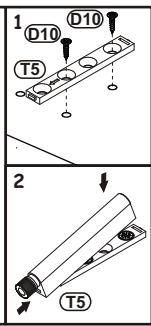
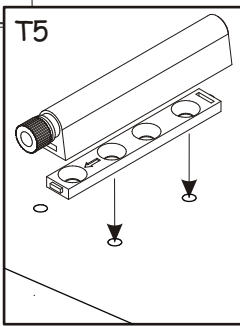
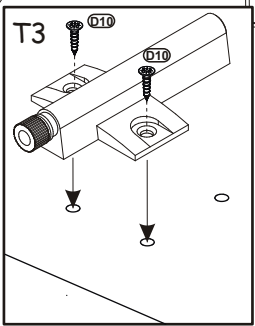
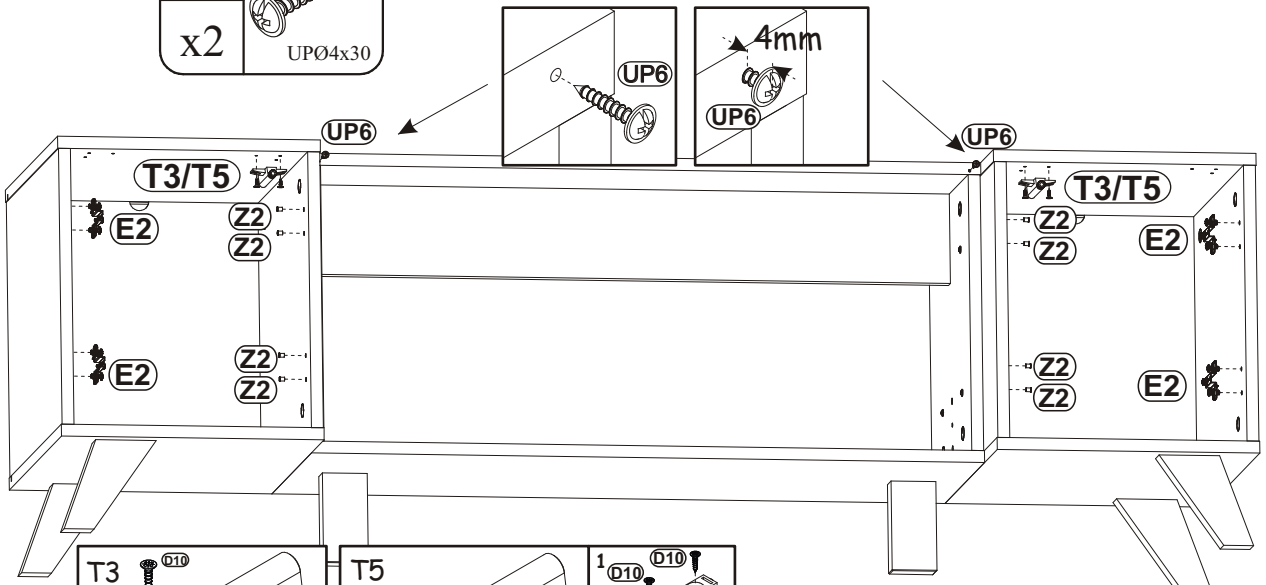
UP6	
x2	UPØ4x30

D10	
x4	USØ3,5x13


T3/T5	
x2	

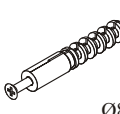
Z2	
x8	Ø5

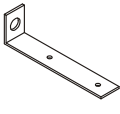
E2	
x4	H=0

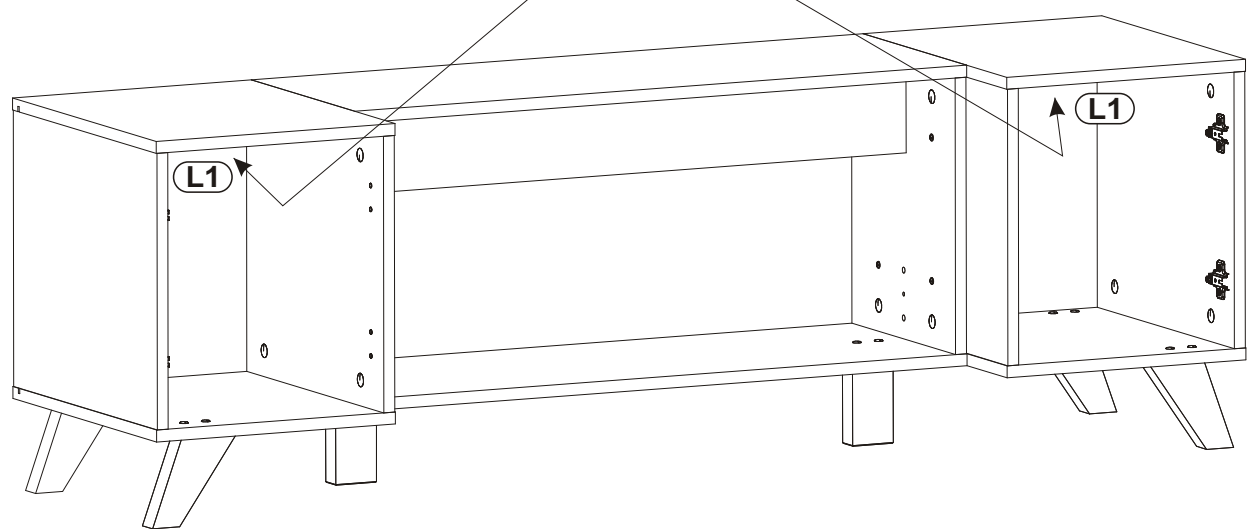
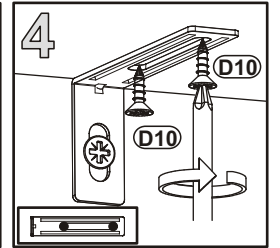
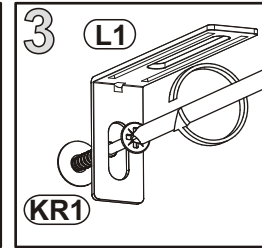
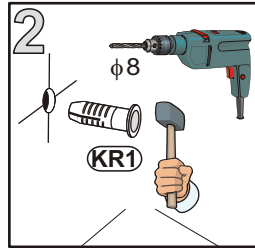
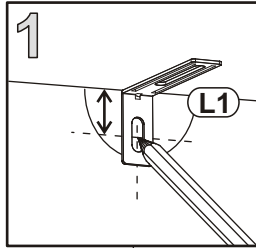
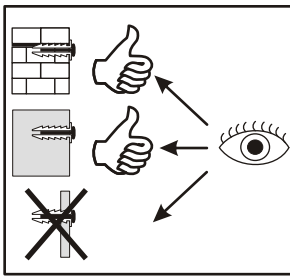


20

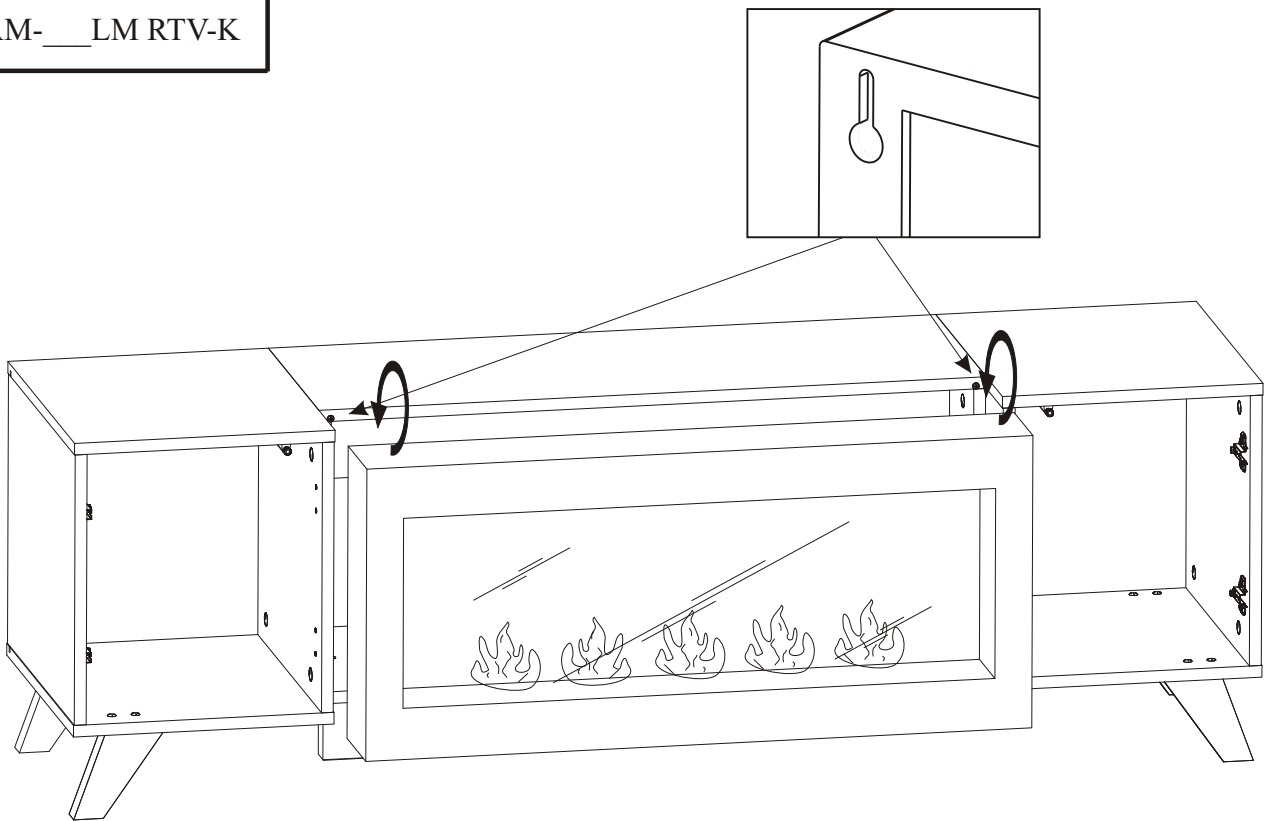
D10	
x4	USØ3,5x13

KR1	
x2	Ø8

L1	
x2	



21



22

