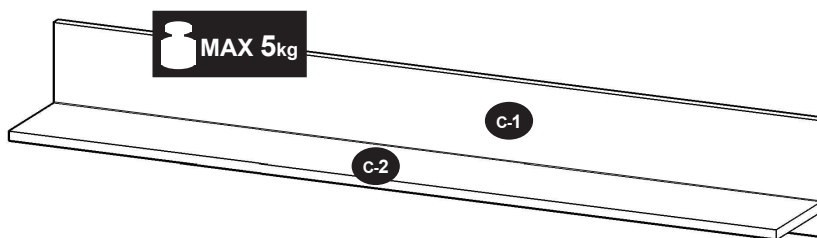
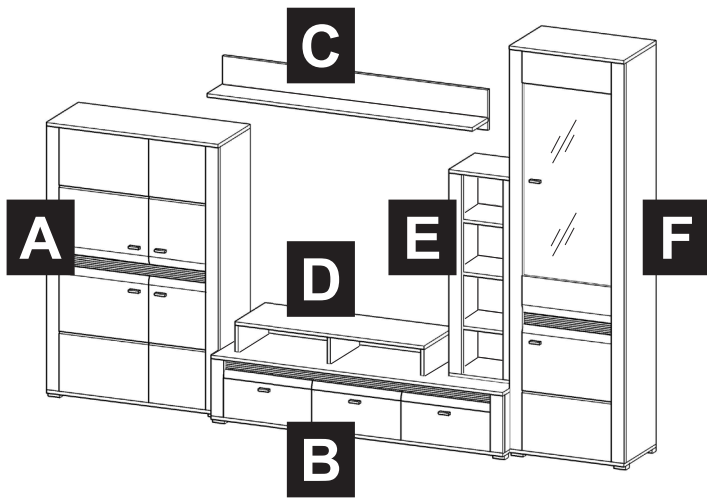
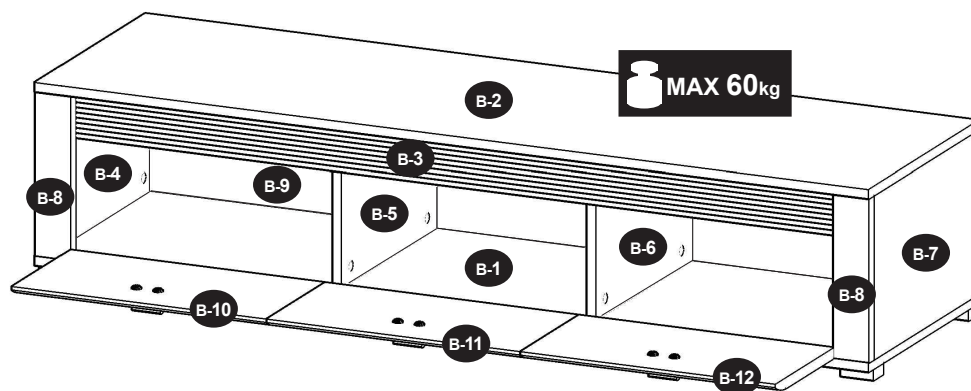


# CAMPARI

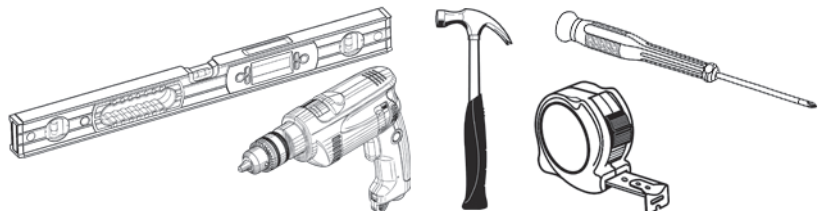


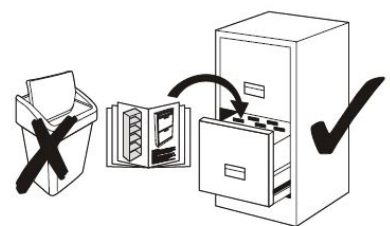
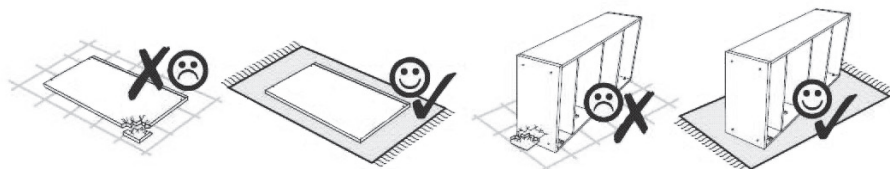
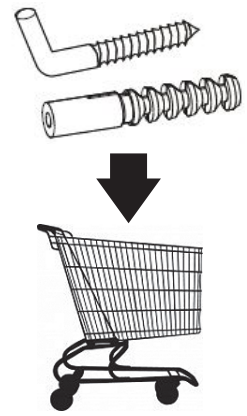
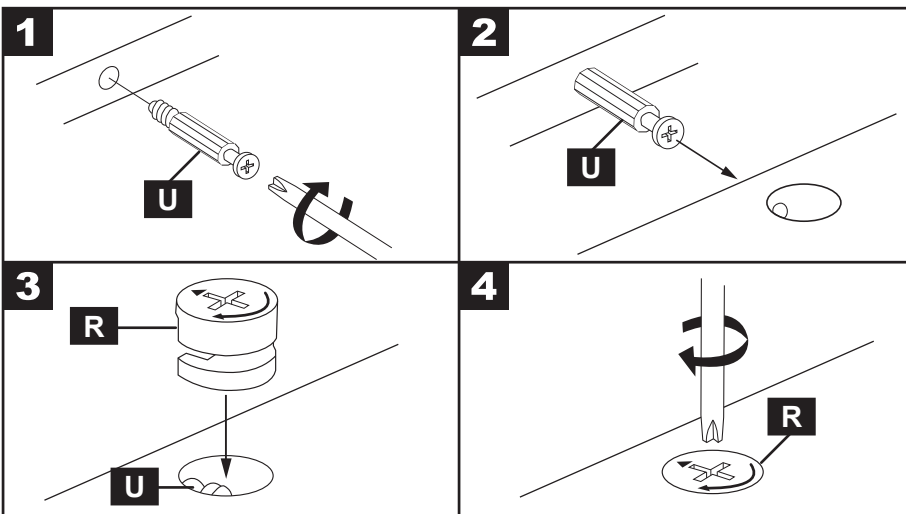
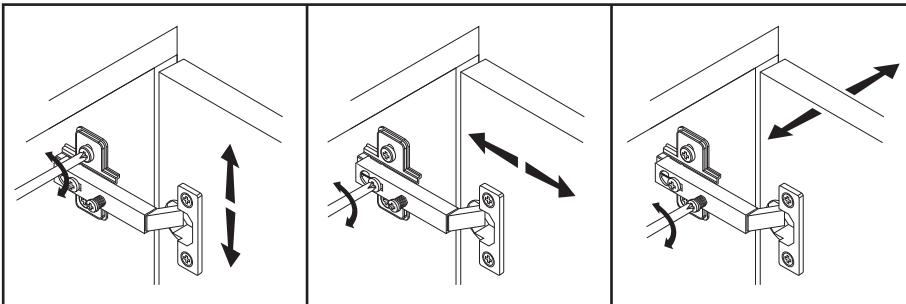
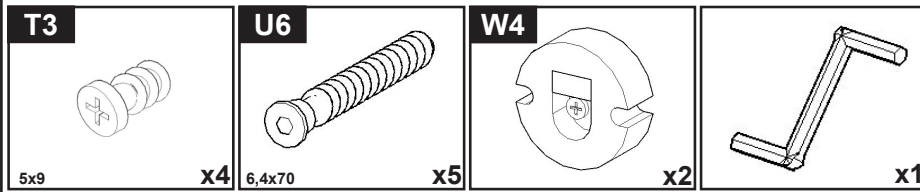
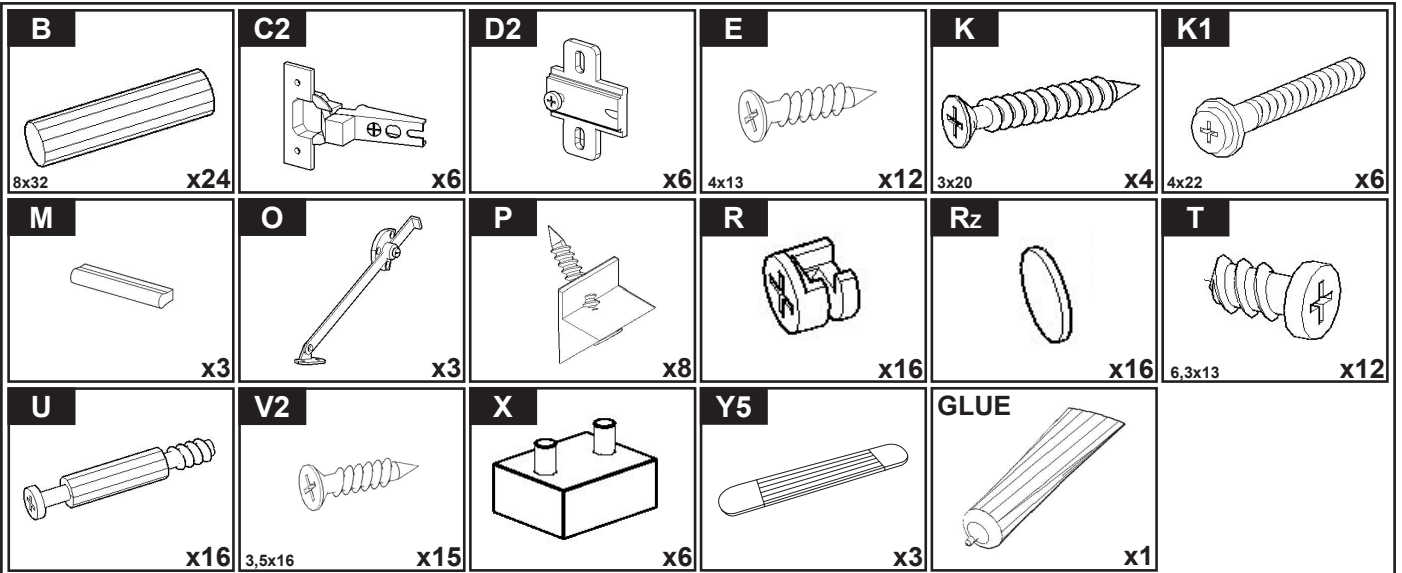
C



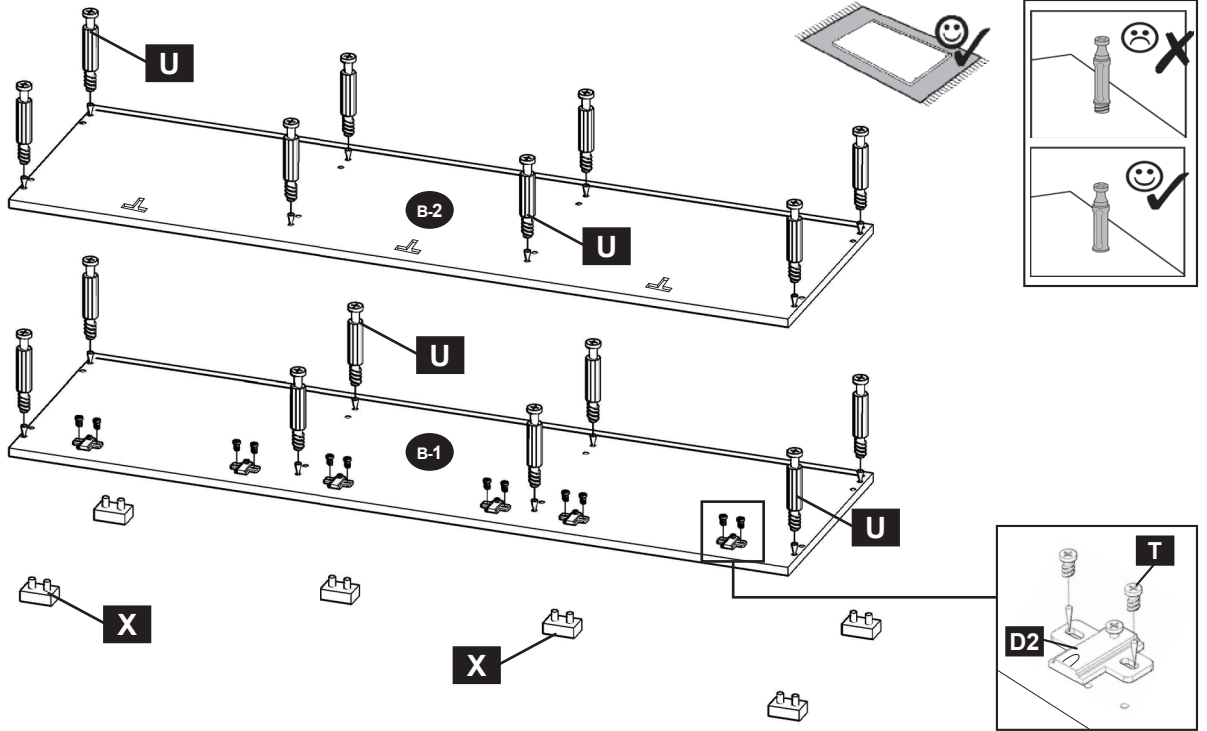
B

60 min.

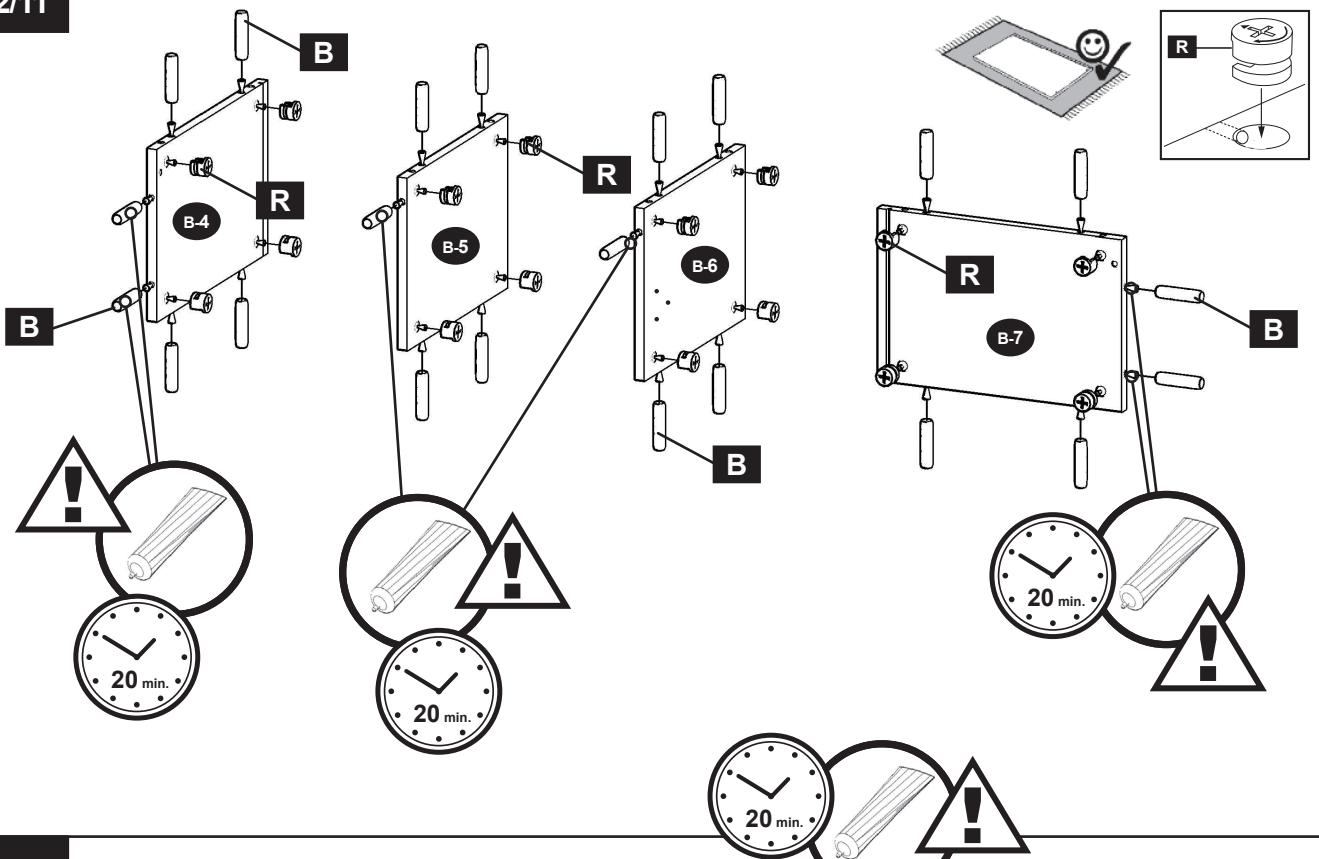




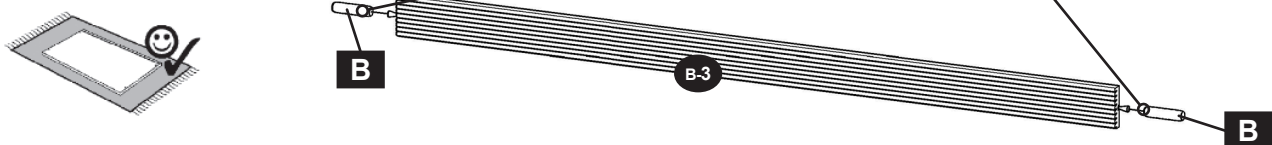
# B1/11



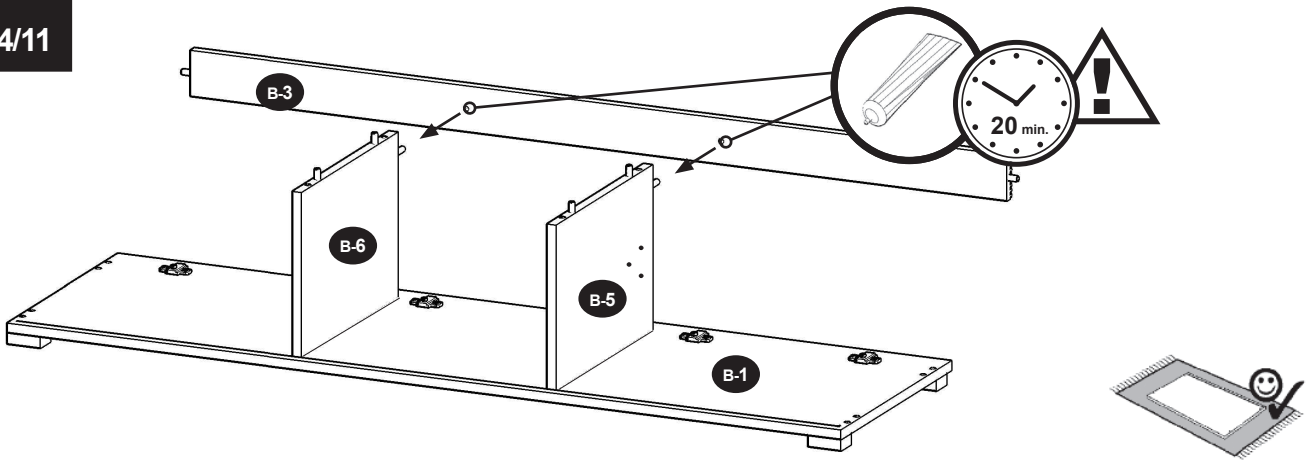
# B2/11



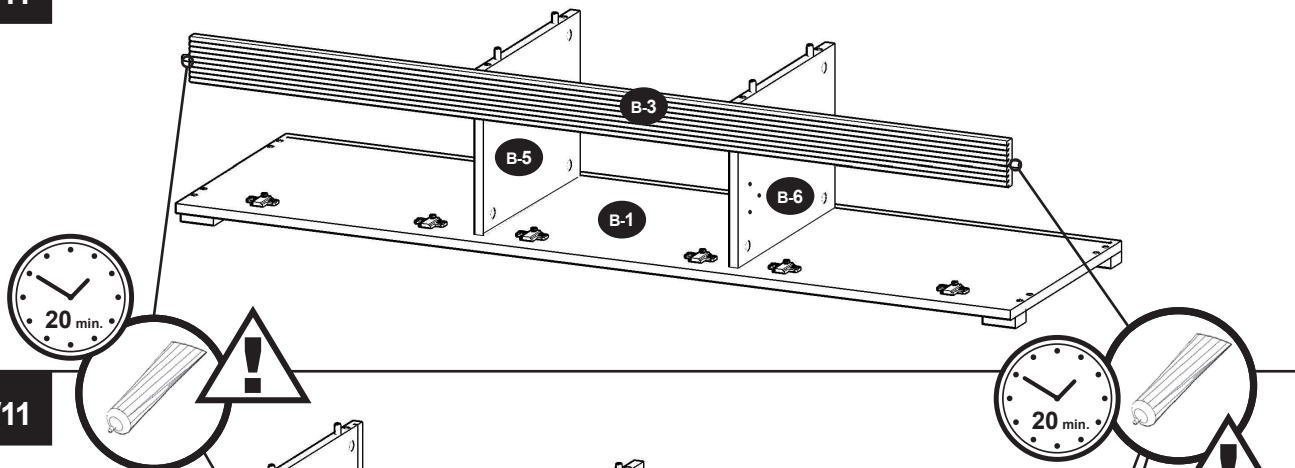
# B3/11



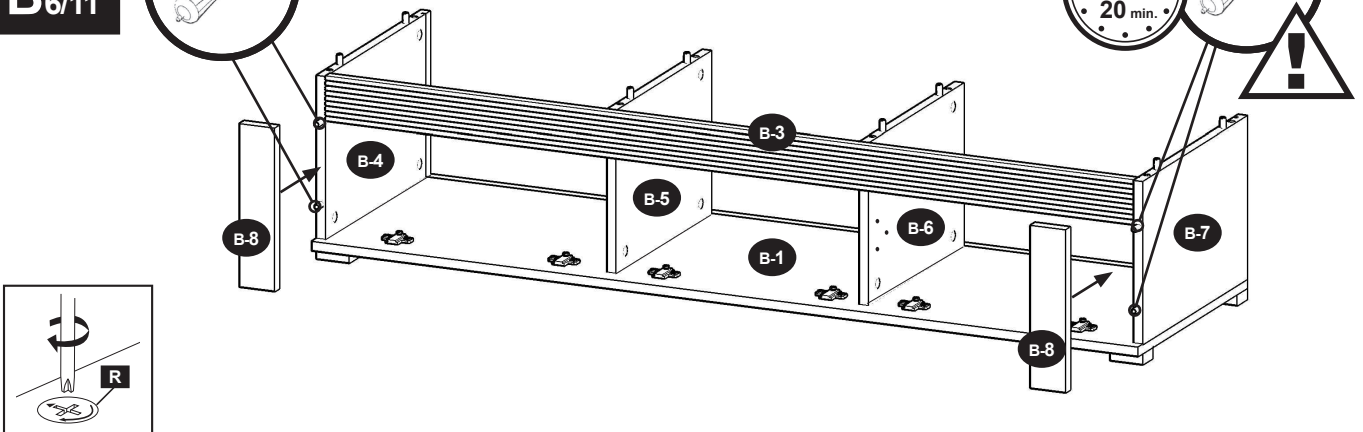
### B4/11



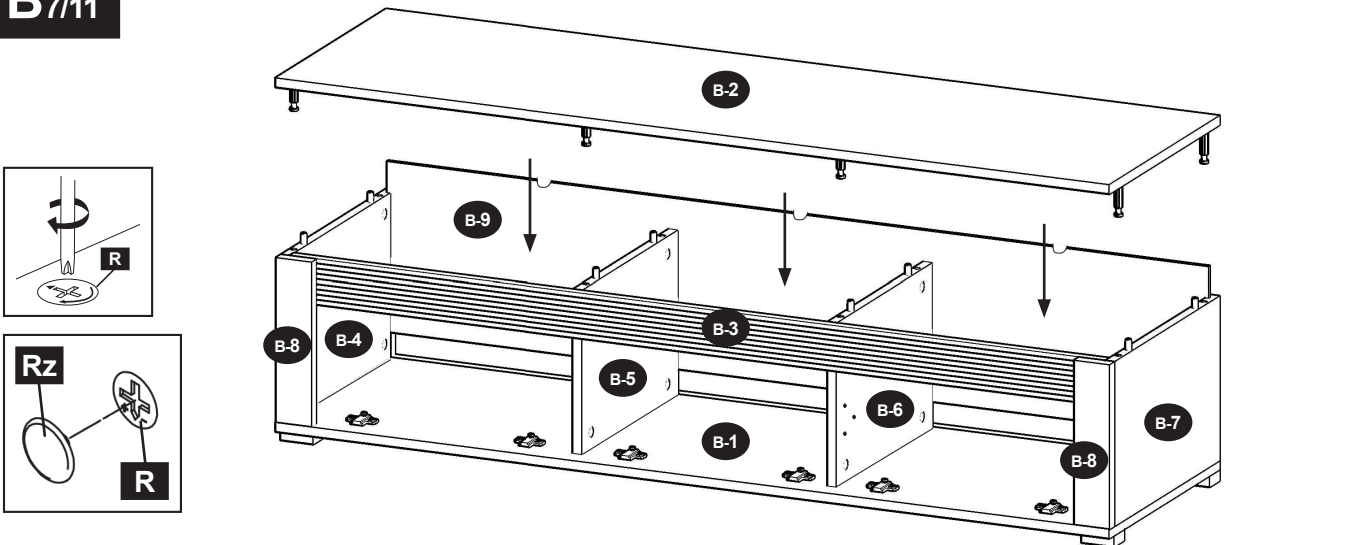
### B5/11



### B6/11



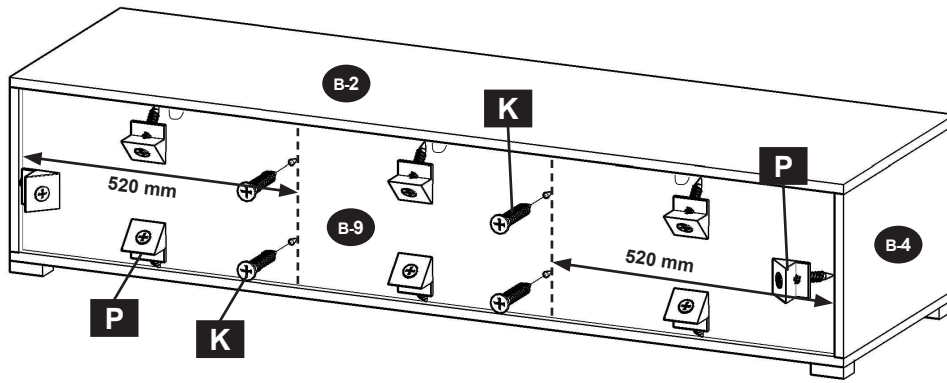
### B7/11



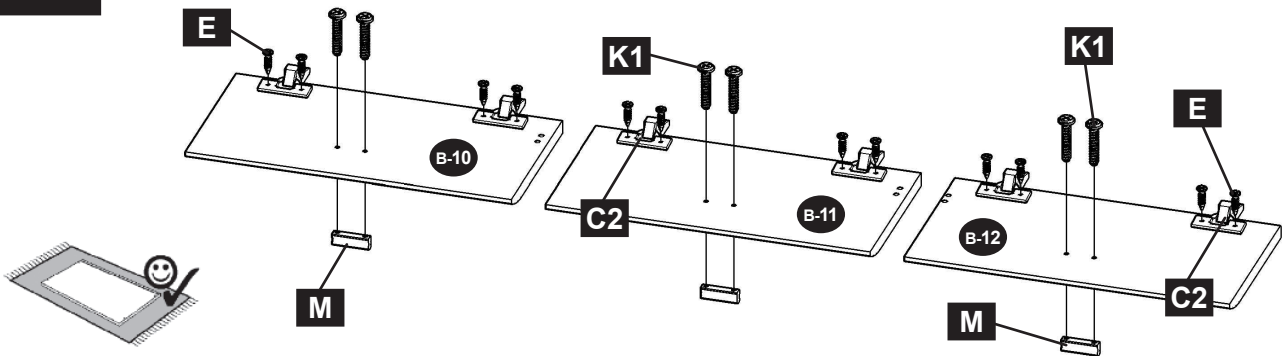
B8/11



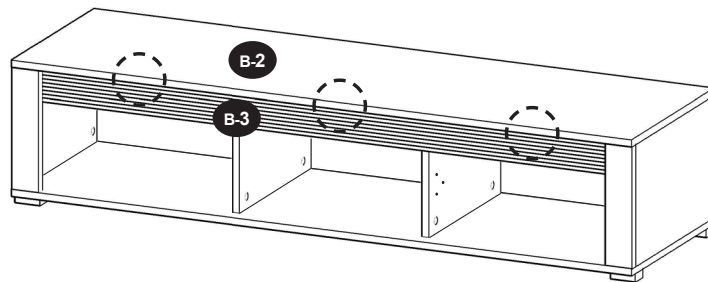
A=B



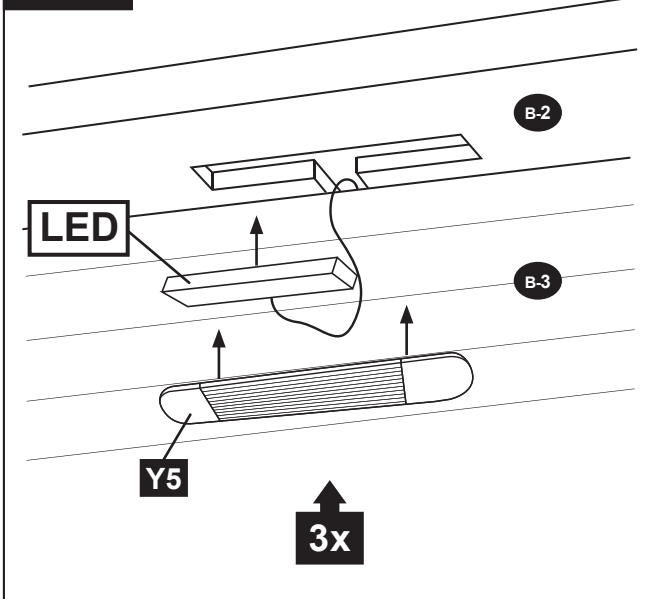
B9/11



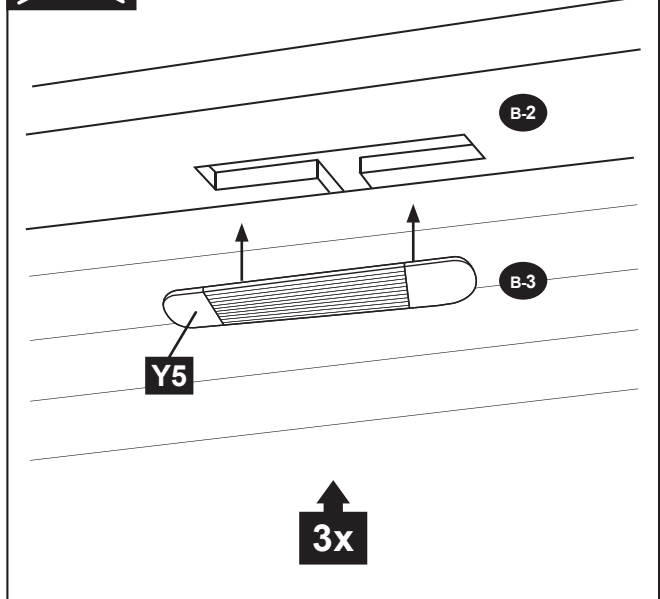
B10/11



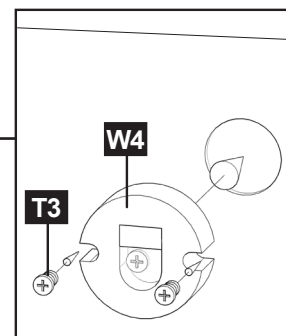
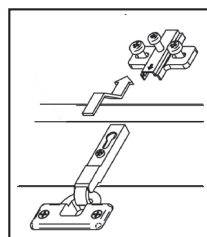
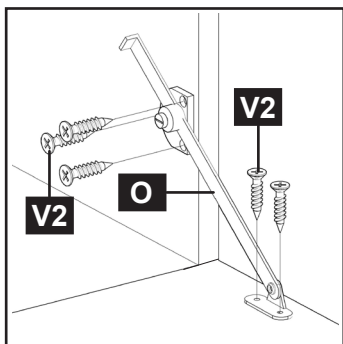
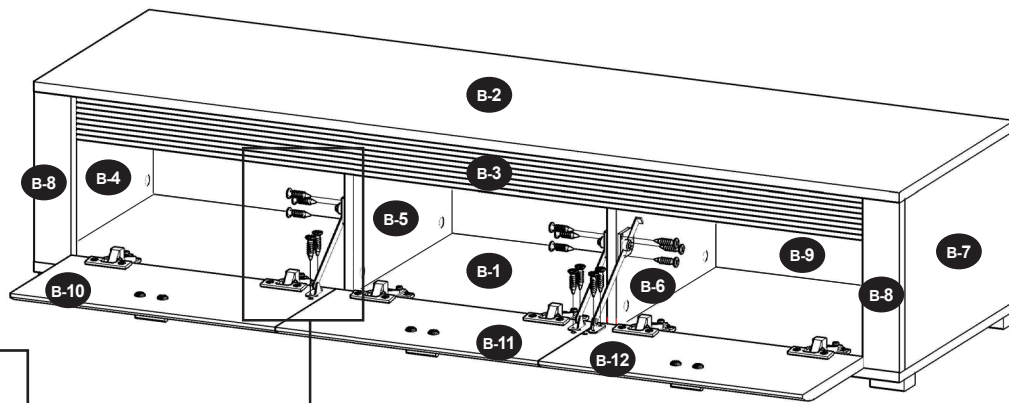
LED



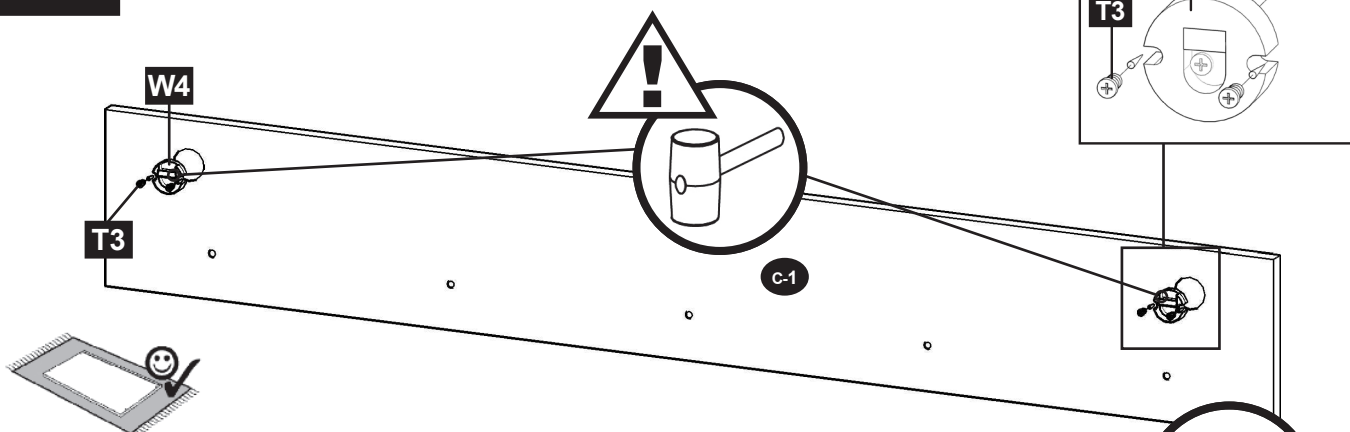
~~LED~~



# B11/11



# C1/2



# C2/2

