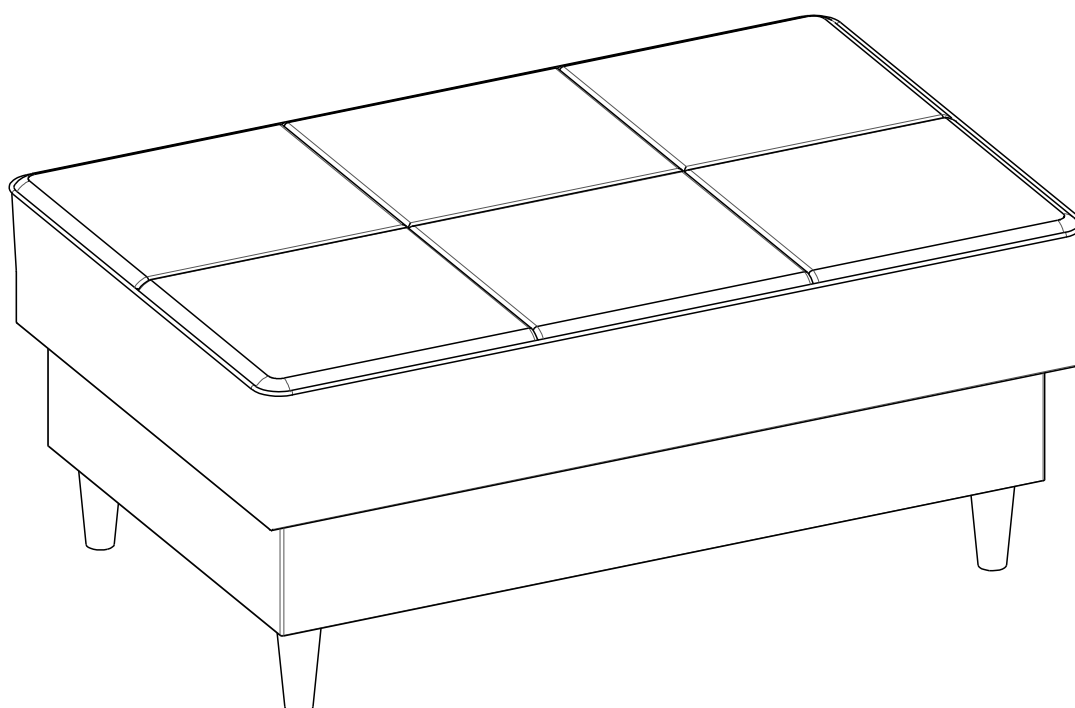
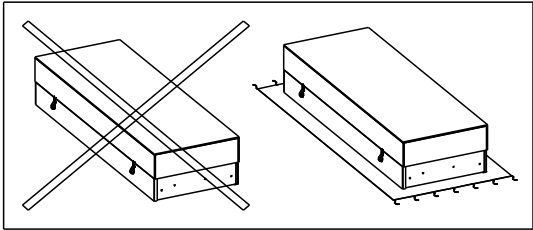


BELLIS PUF

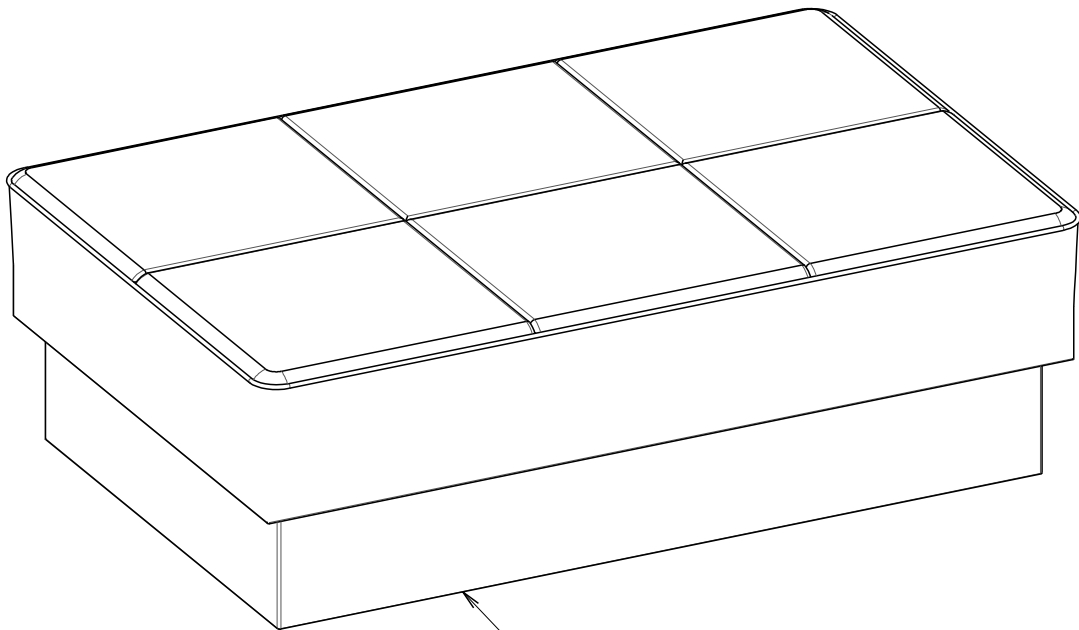


10min

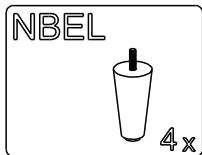
1/4



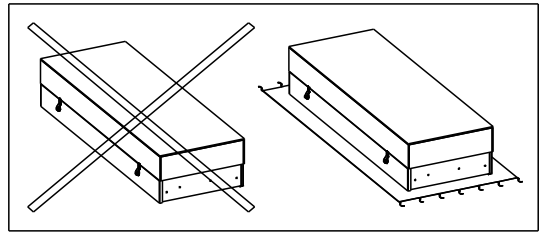
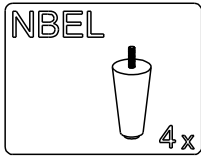
S	1x
---	----



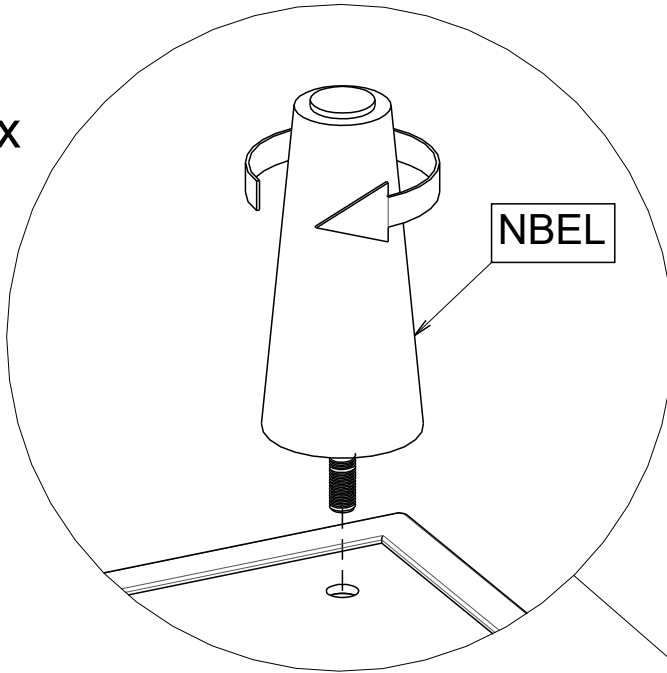
S



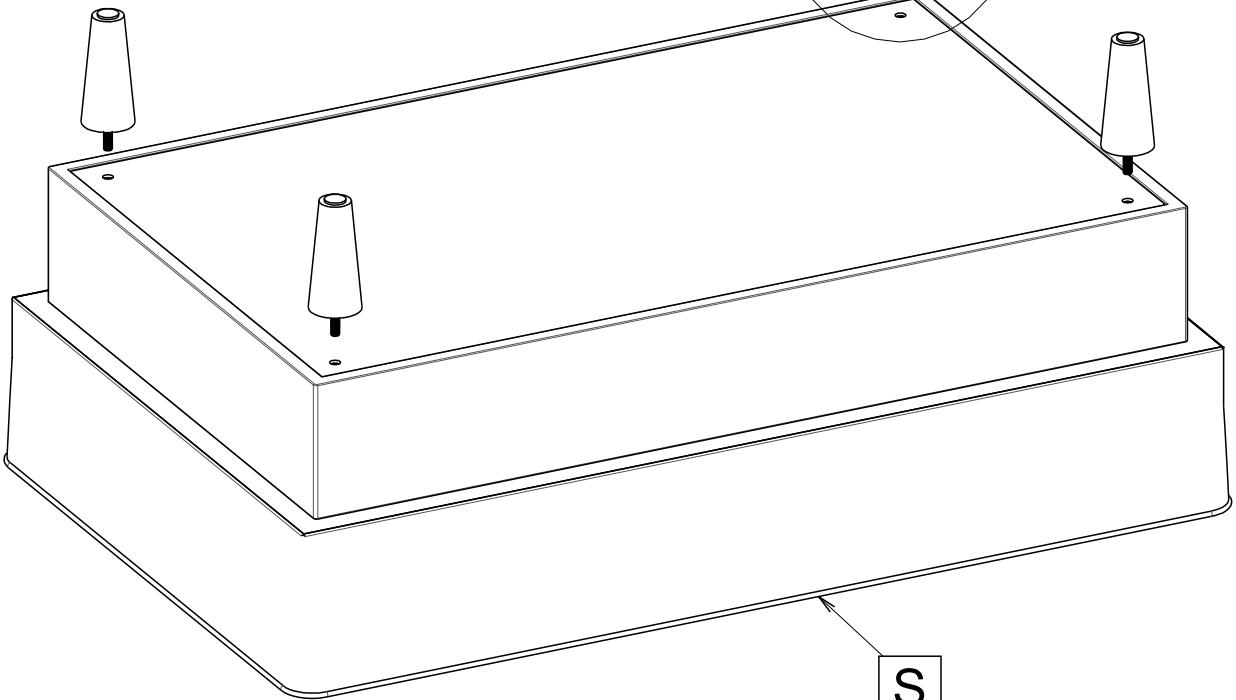
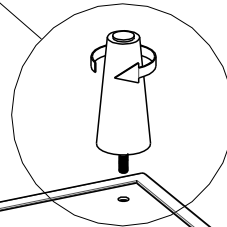
1



4x

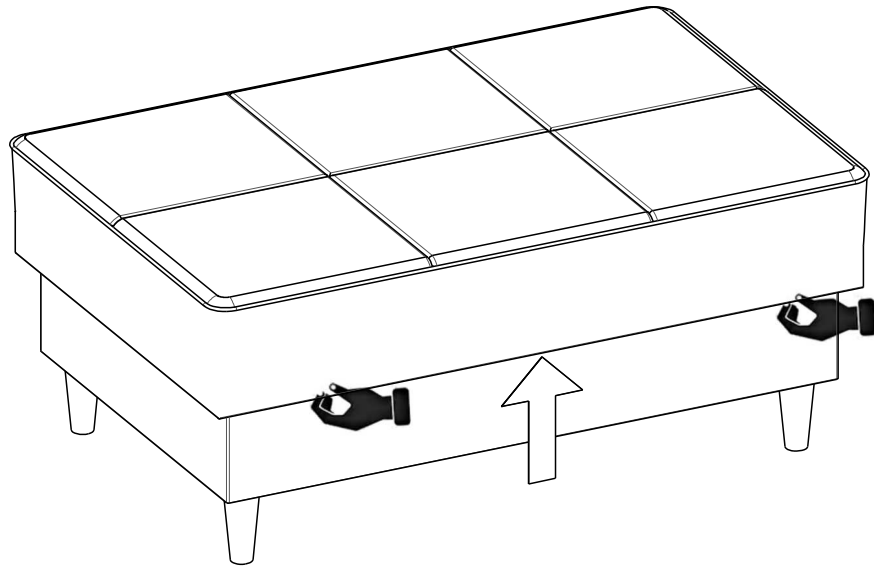


NBEL

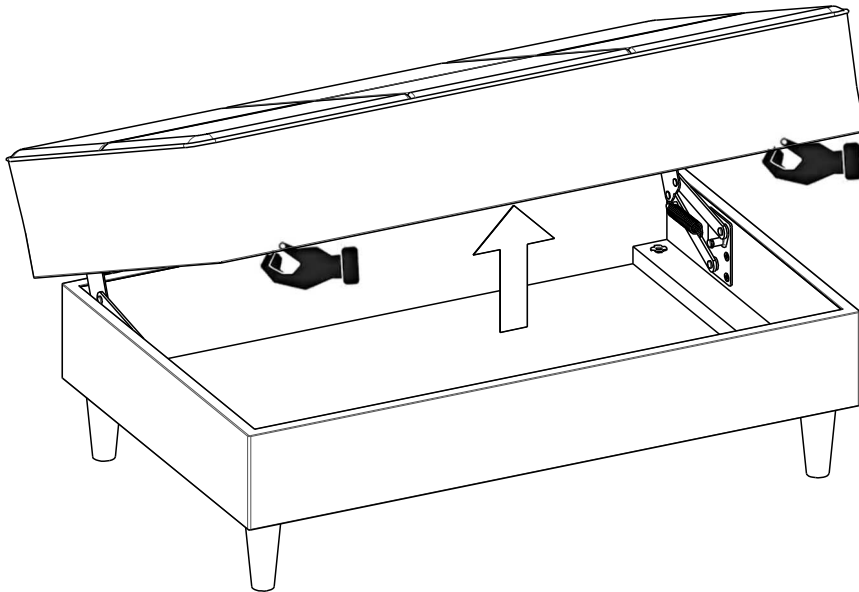


S

A



B



C

