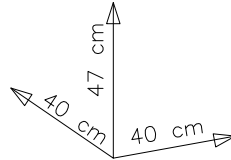
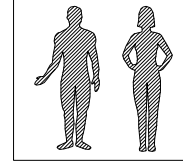
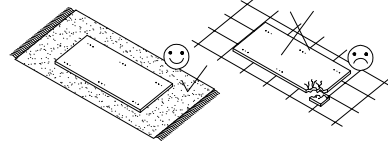
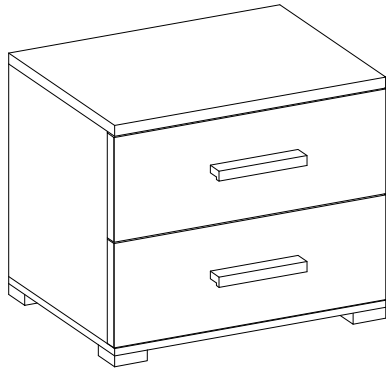
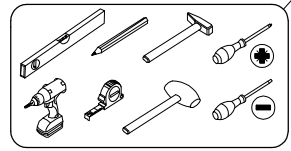
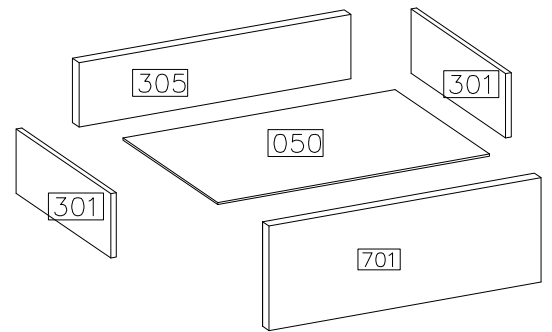
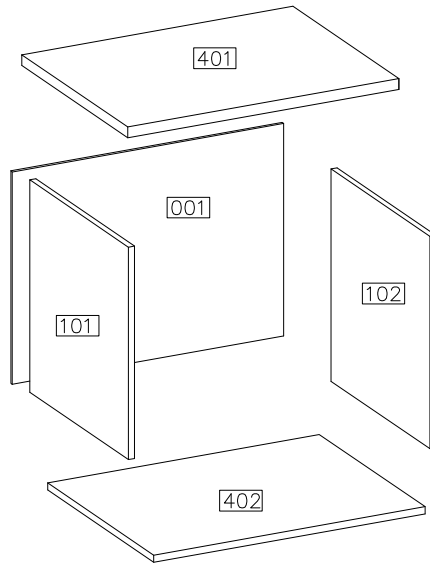







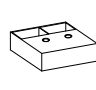


MARSYLIA

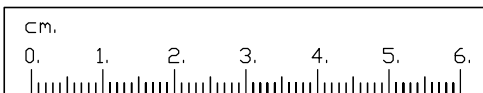
STOLIK NOCNY



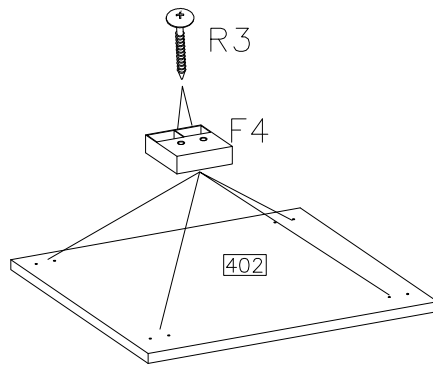
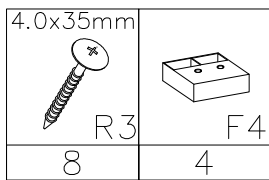
#	ART. NR	QUANTITY
1	401	1
2	402	1
3	101	1
4	102	1
5	701	2
6	301	4
7	305	2
8	050	2
9	001	1



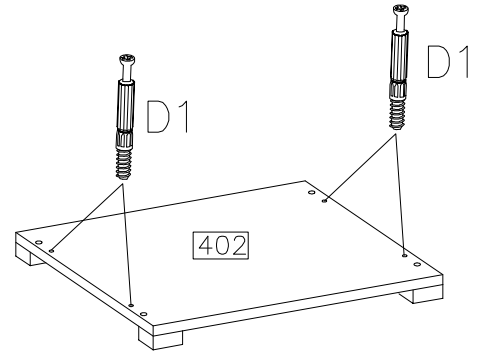
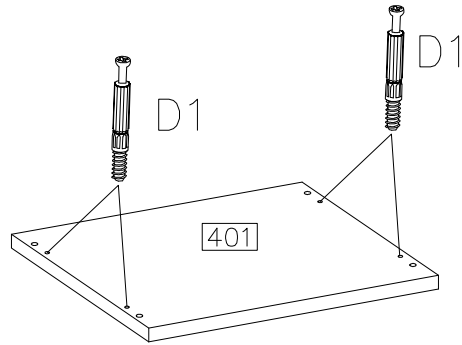
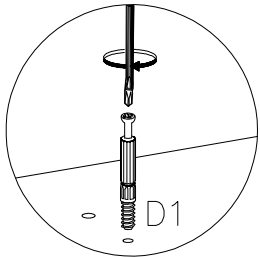
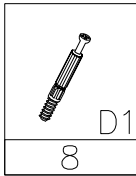
	ø15/12mm			ø8x30mm	3.5x13mm	ø4.0x16mm	
D1		C	E	A	P2	P1	R2
8	8	8	24	8	8	2	4
	4.0x35mm		L-350				
R3		F4	PR	F10	O11		
8	4	2KPL	40	2			



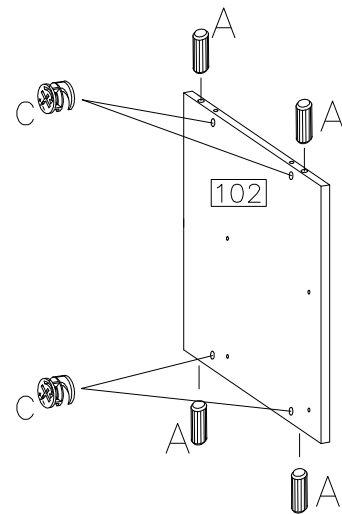
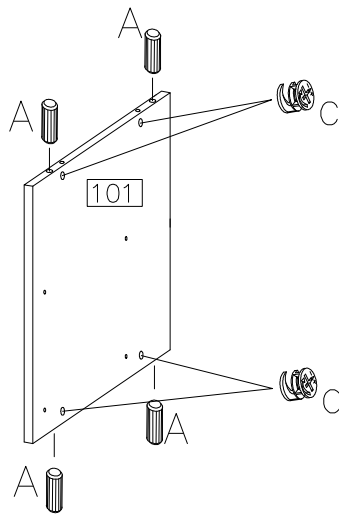
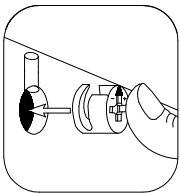
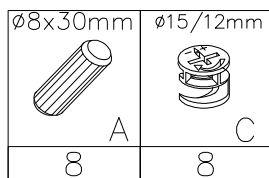
1



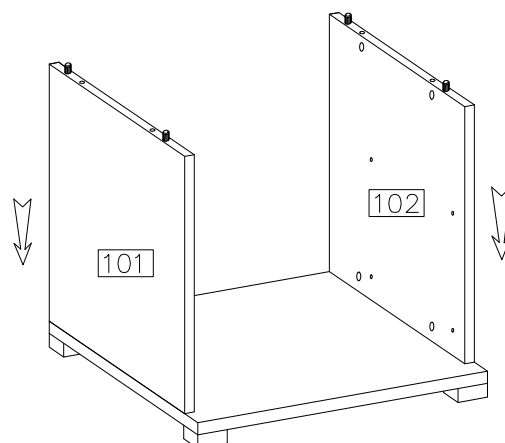
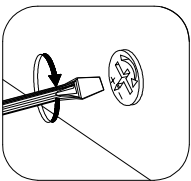
2



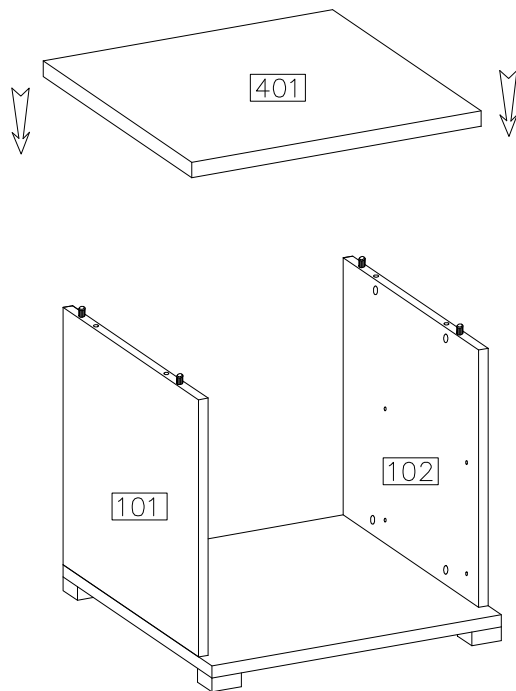
3



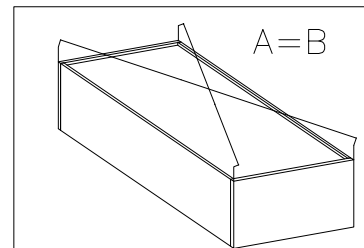
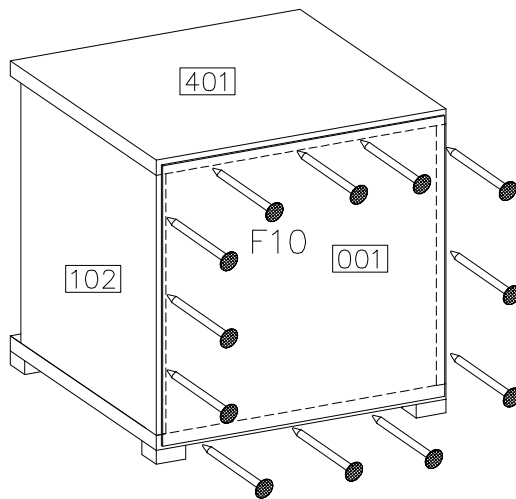
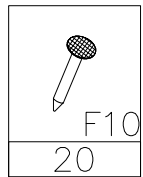
4



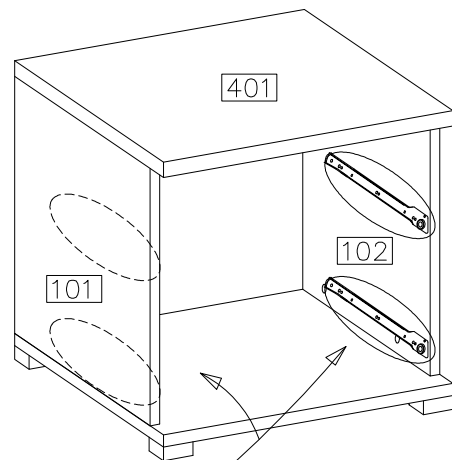
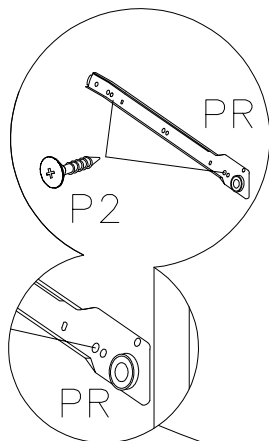
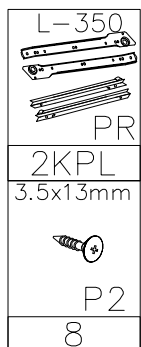
5



6



7



8

∅8x30mm



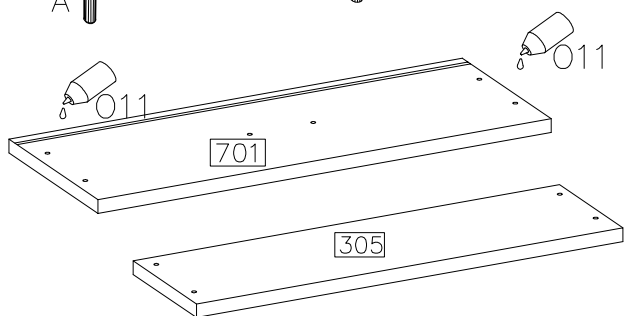
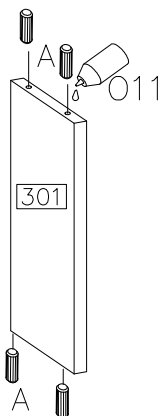
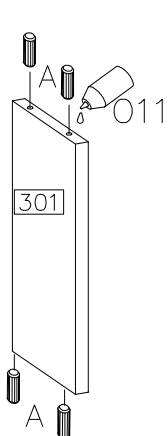
A

16



011

2x



9



F10

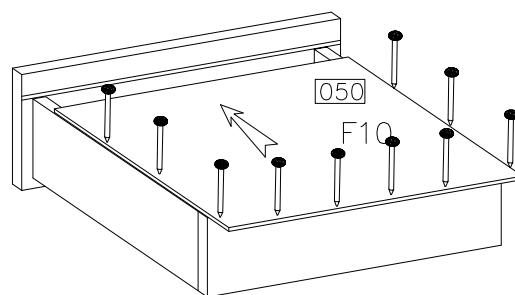
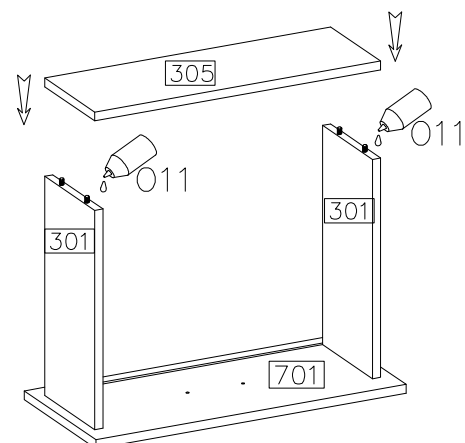
20



011



2x



10



S1

2

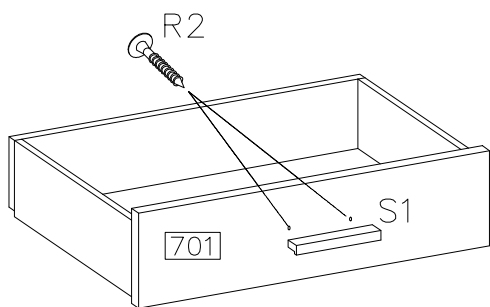
4.0x27mm



R2

4

2x



11

L-350

PR

2KPL

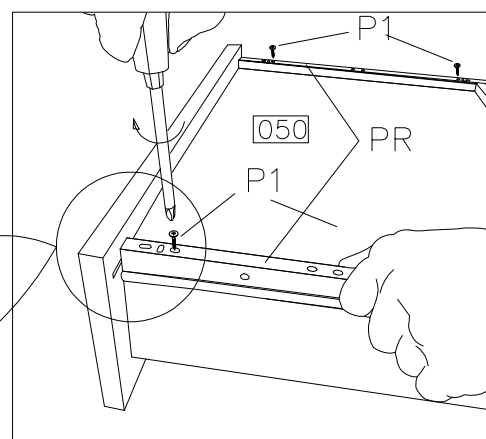
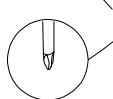
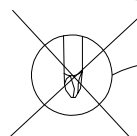
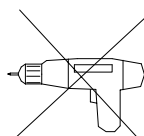
∅4.0x16mm



P1

8

2x



12

