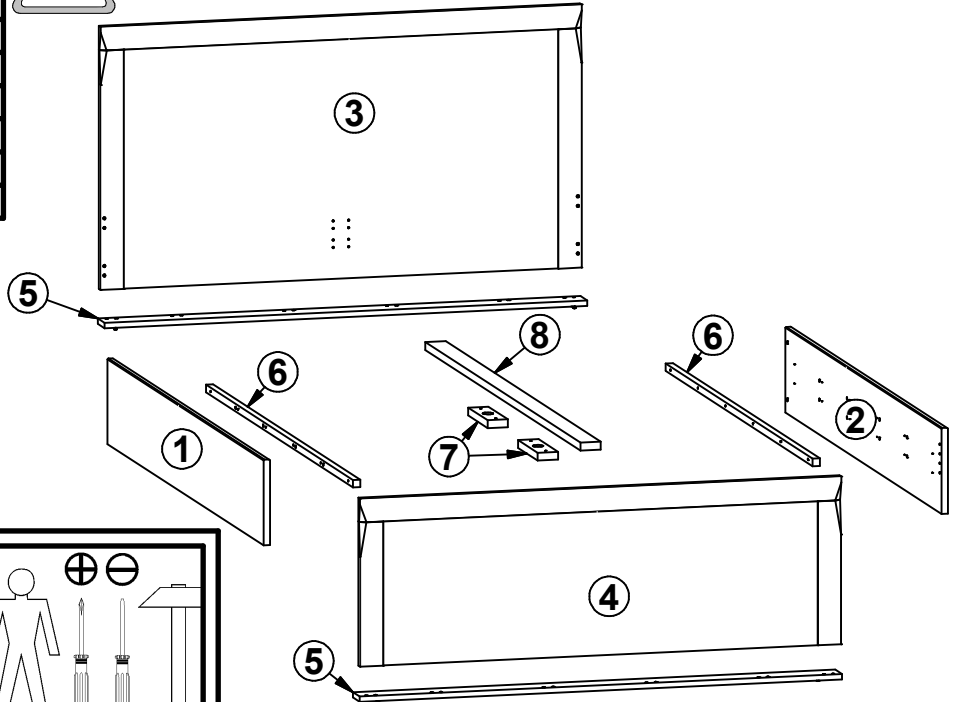
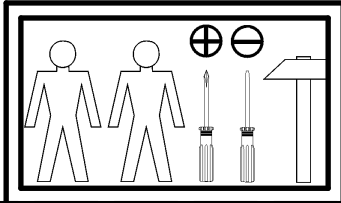
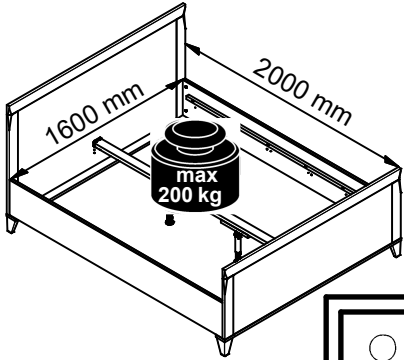


A

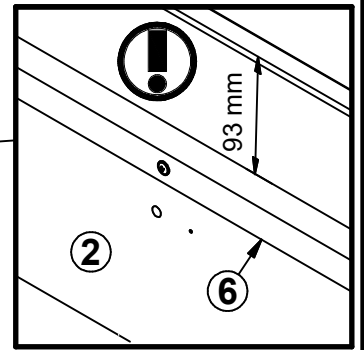
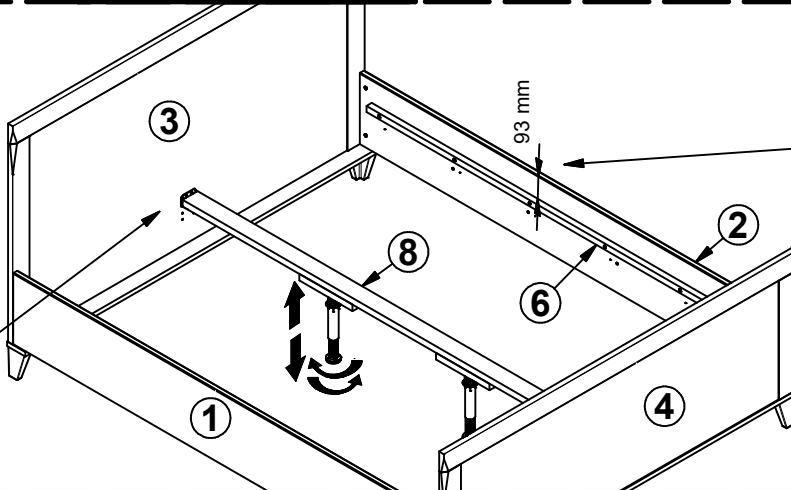
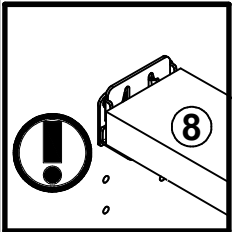
BERGEN

S359-LOZ/160

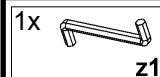
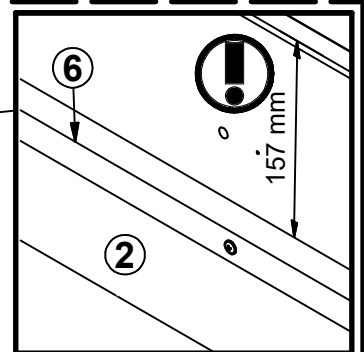
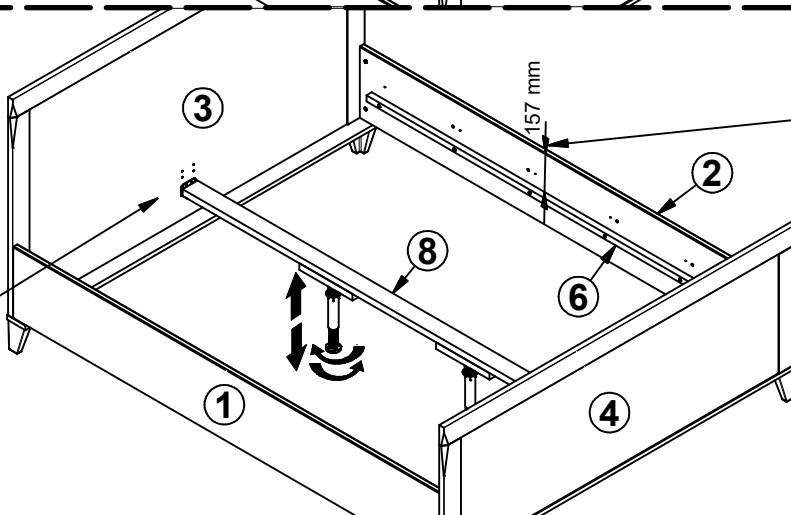
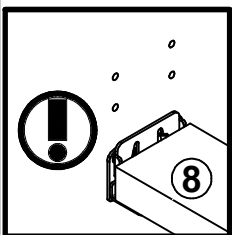
A	B	C	D
1	S359-1045	1996	288
2	S359-1046	1996	288
3	S359-4003	1648	884
4	S359-4004	1648	564
5	S359-4005	1652	86
6	ZZ1-747	1880	25
7	ZZ1-759	250	70
8	ZZ1-767	1983	70



A

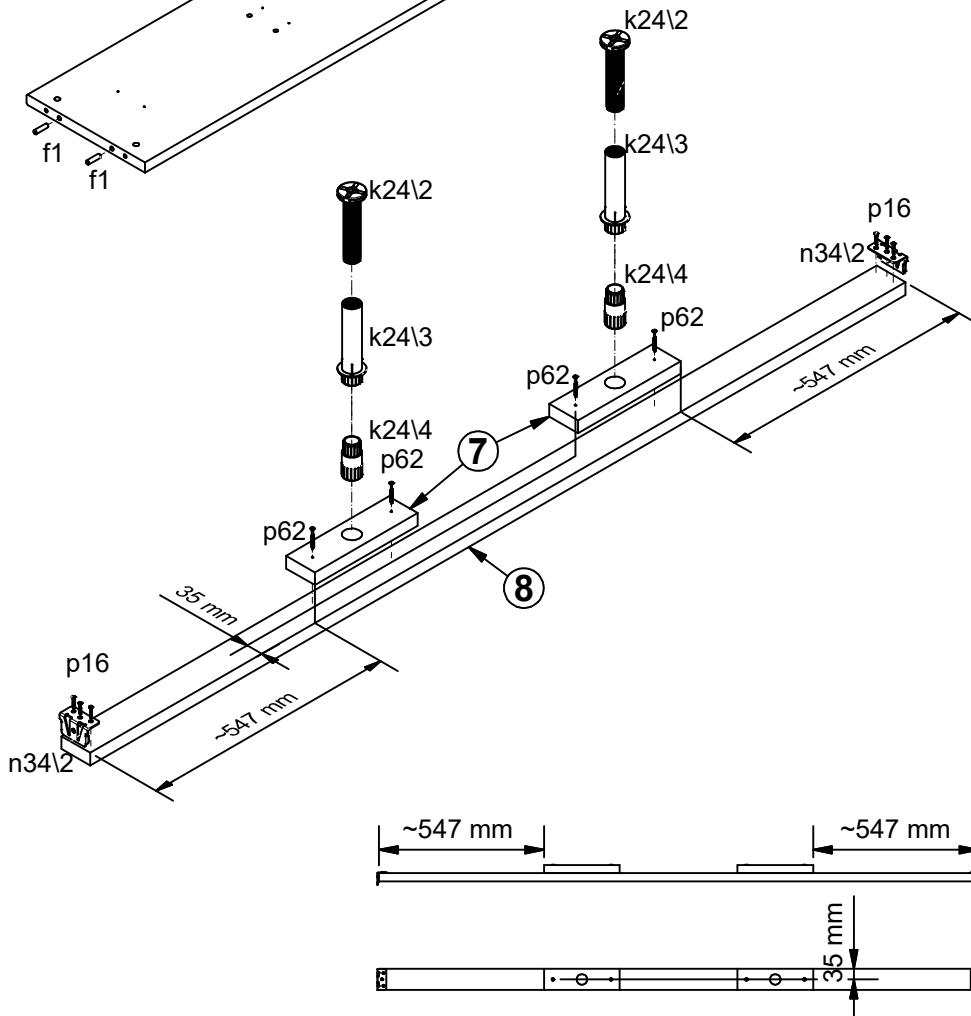
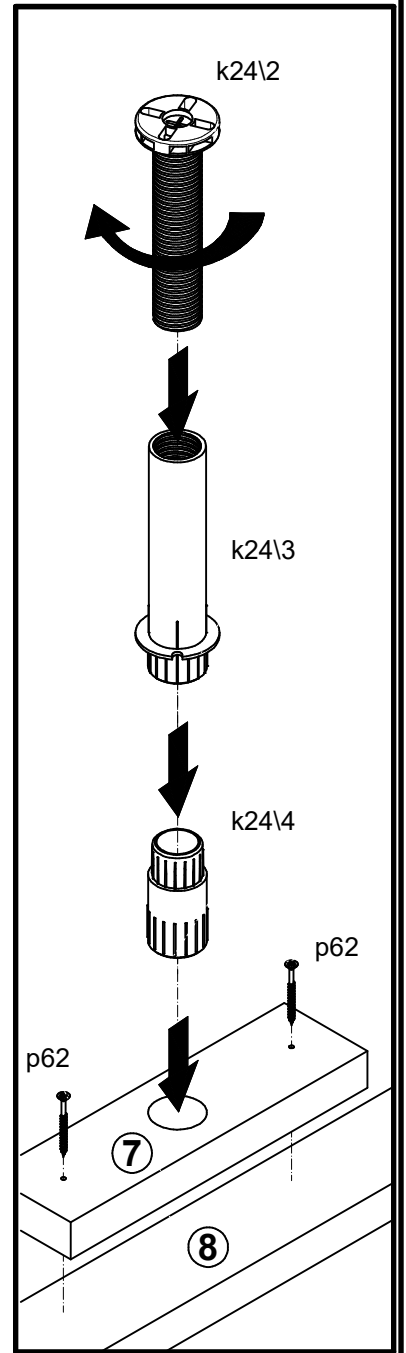
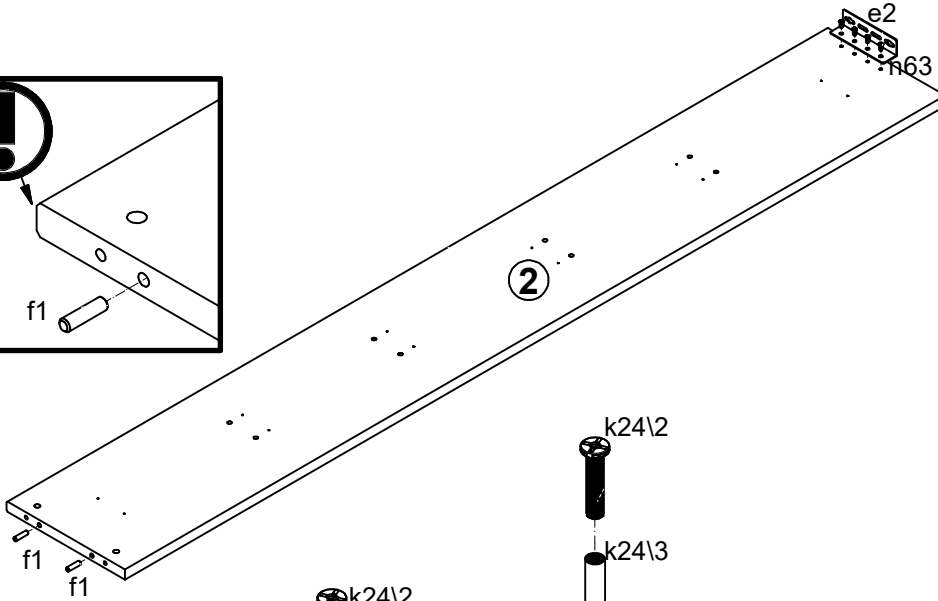
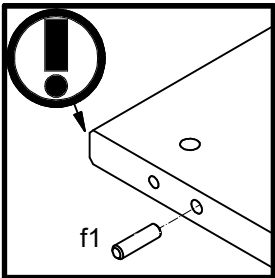
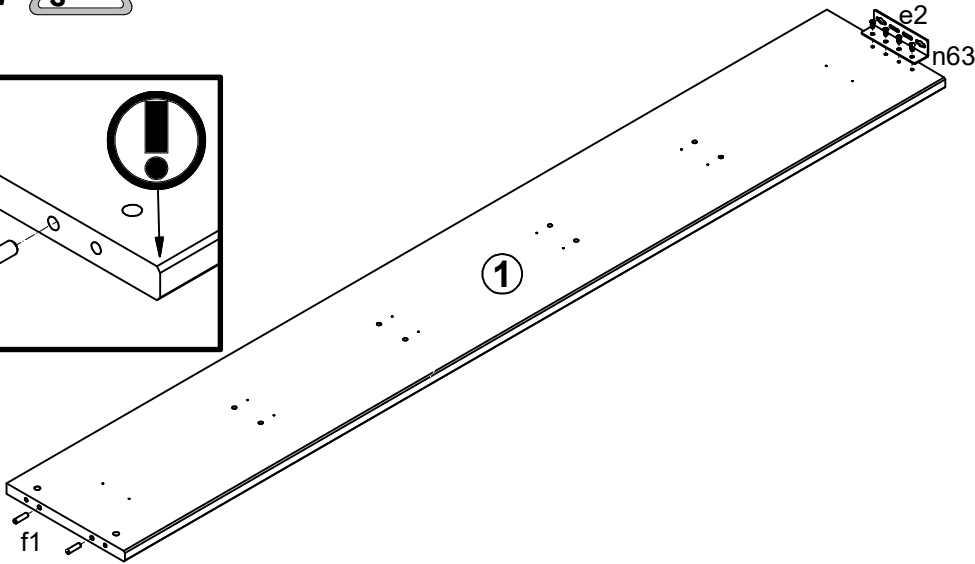
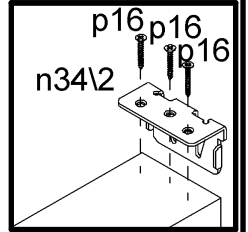
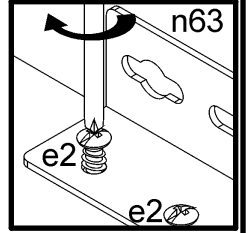
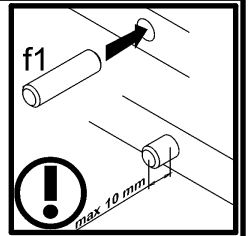
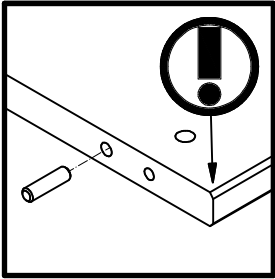


B

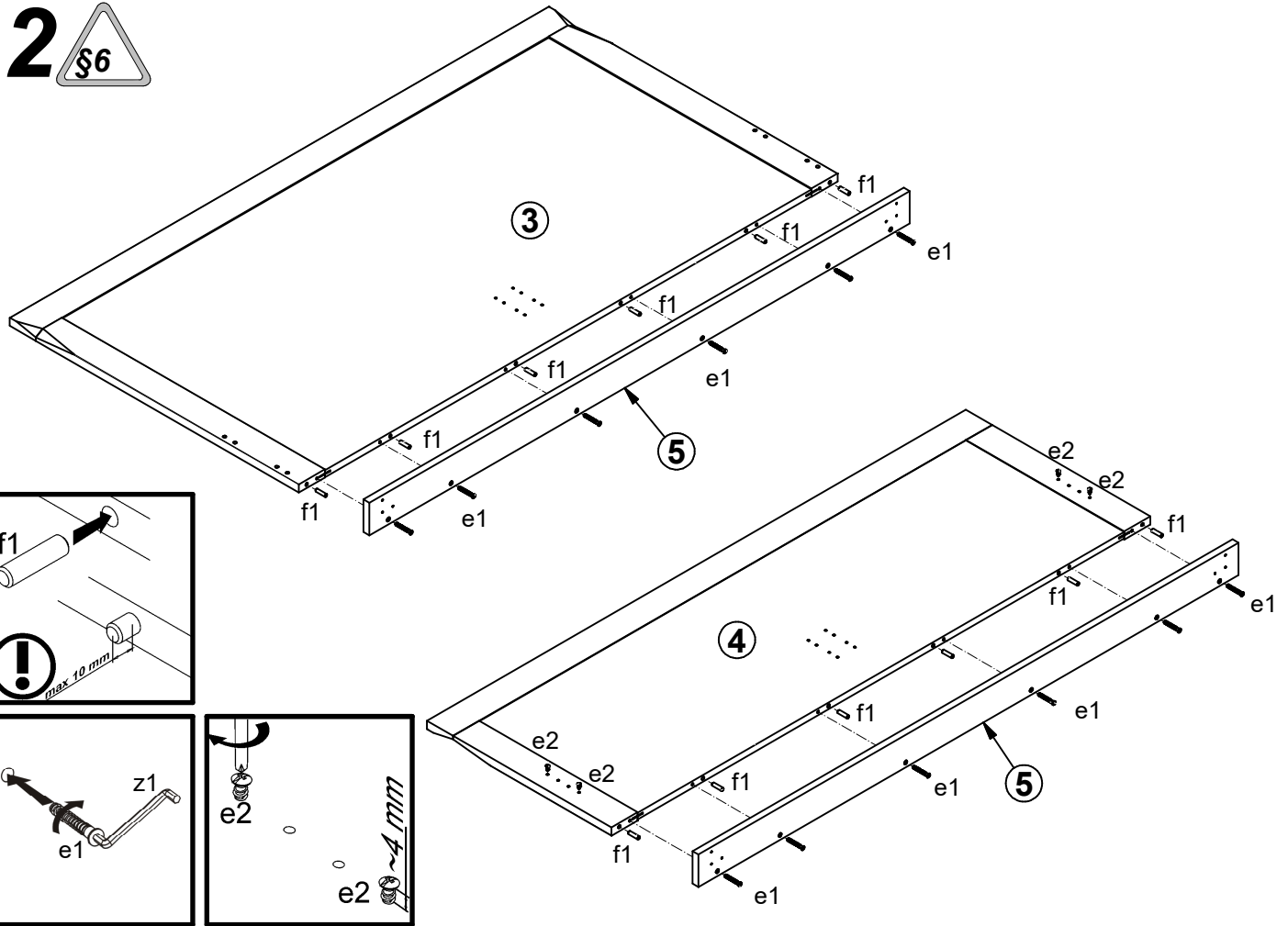


12x Ø7x50 mm e1	16x Ø6.3x13 mm e2	8x Ø6x13 mm e3	12x Ø5x18 mm e58	24x Ø8x30 mm f1	4x M6x60 mm j144	4x k125	2x k24/2	2x k24/3
2x k24/4	2x n34/1	2x n34/2	2x 130x34x34/2 mm n63	12x Ø4x40 mm p10	6x Ø3.5x25 mm p16	6x Ø4x35 mm p6	4x Ø4x45 mm p62	4x Ø10x16 mm r43

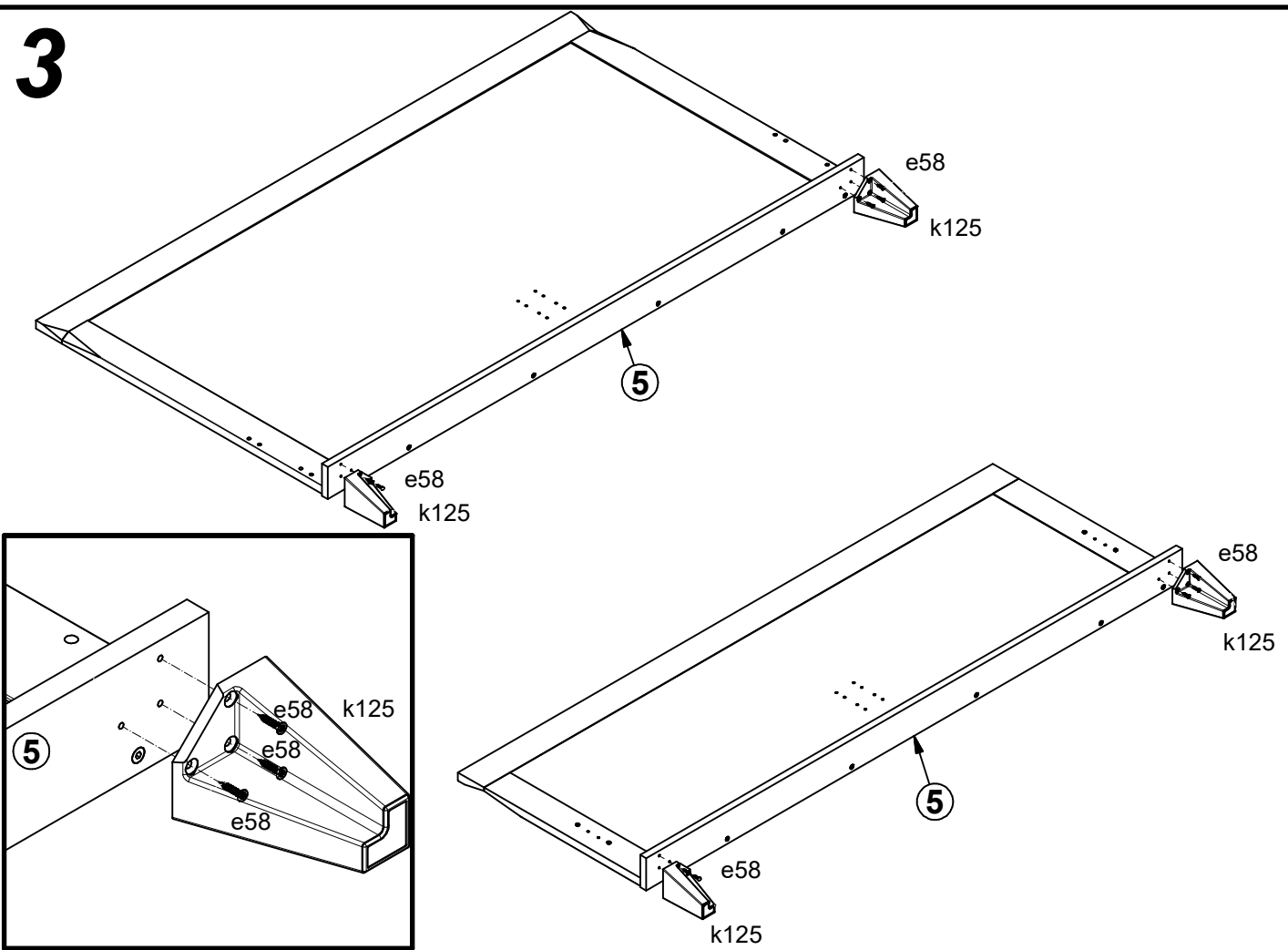
1 §2

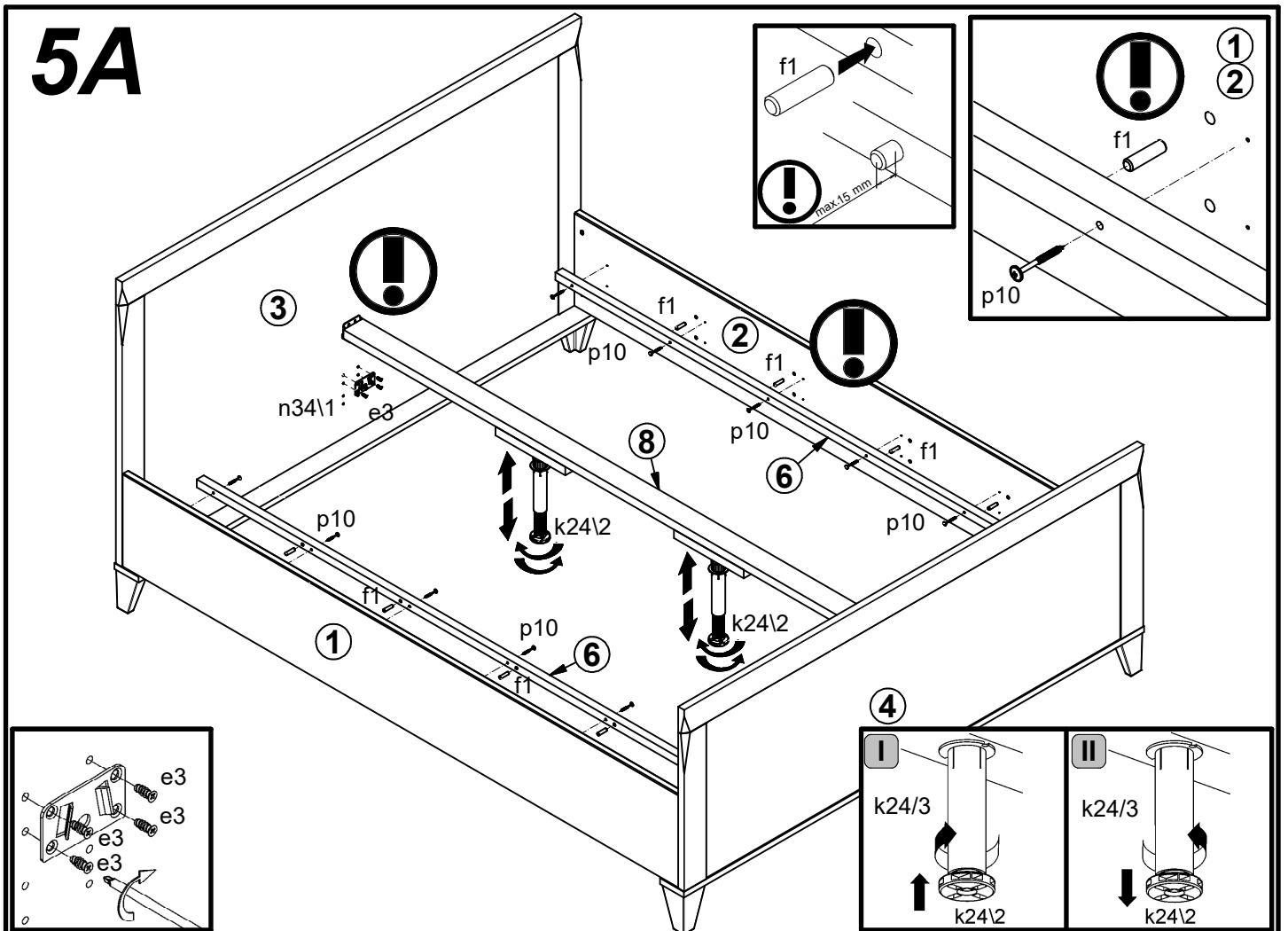
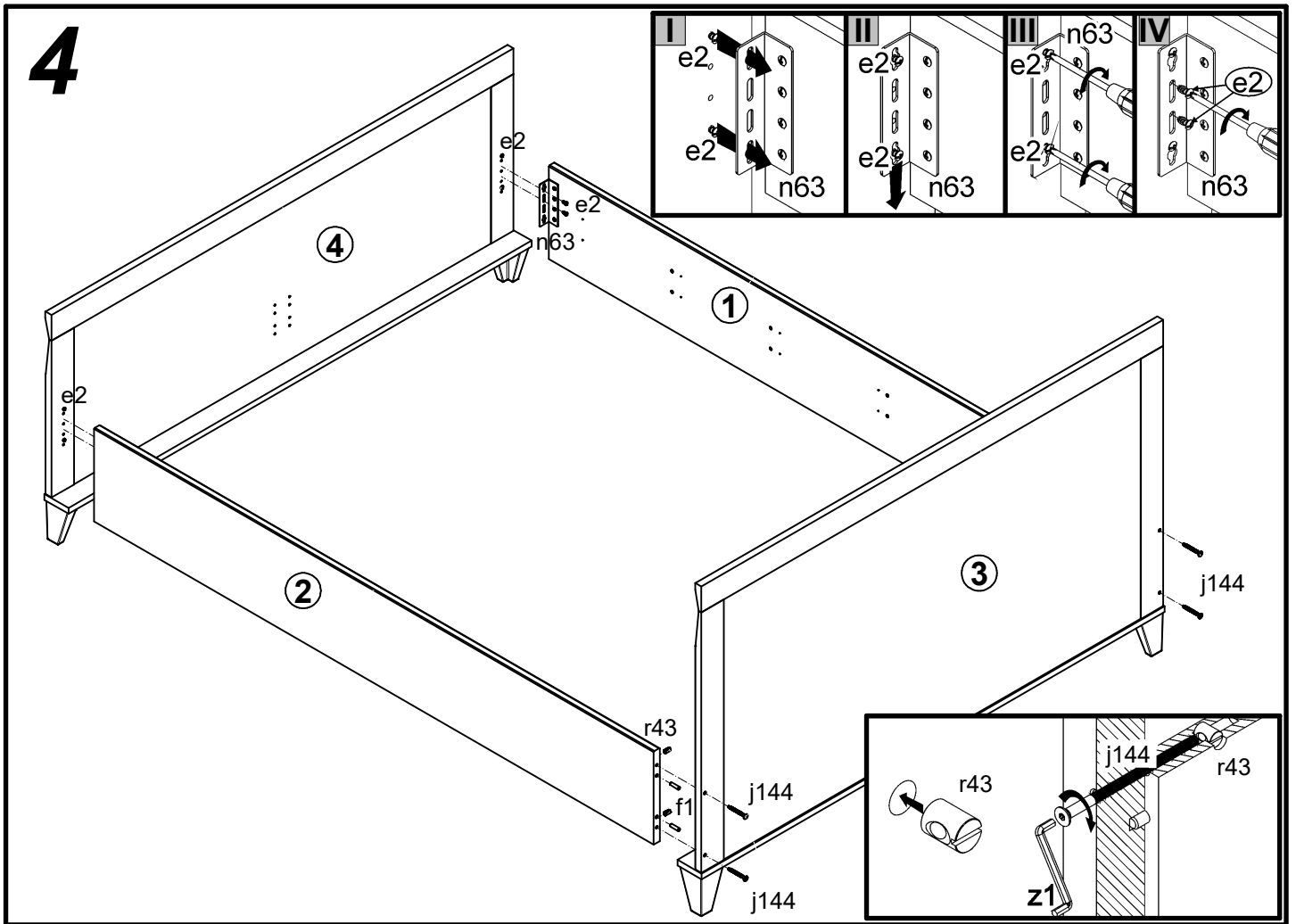


2 

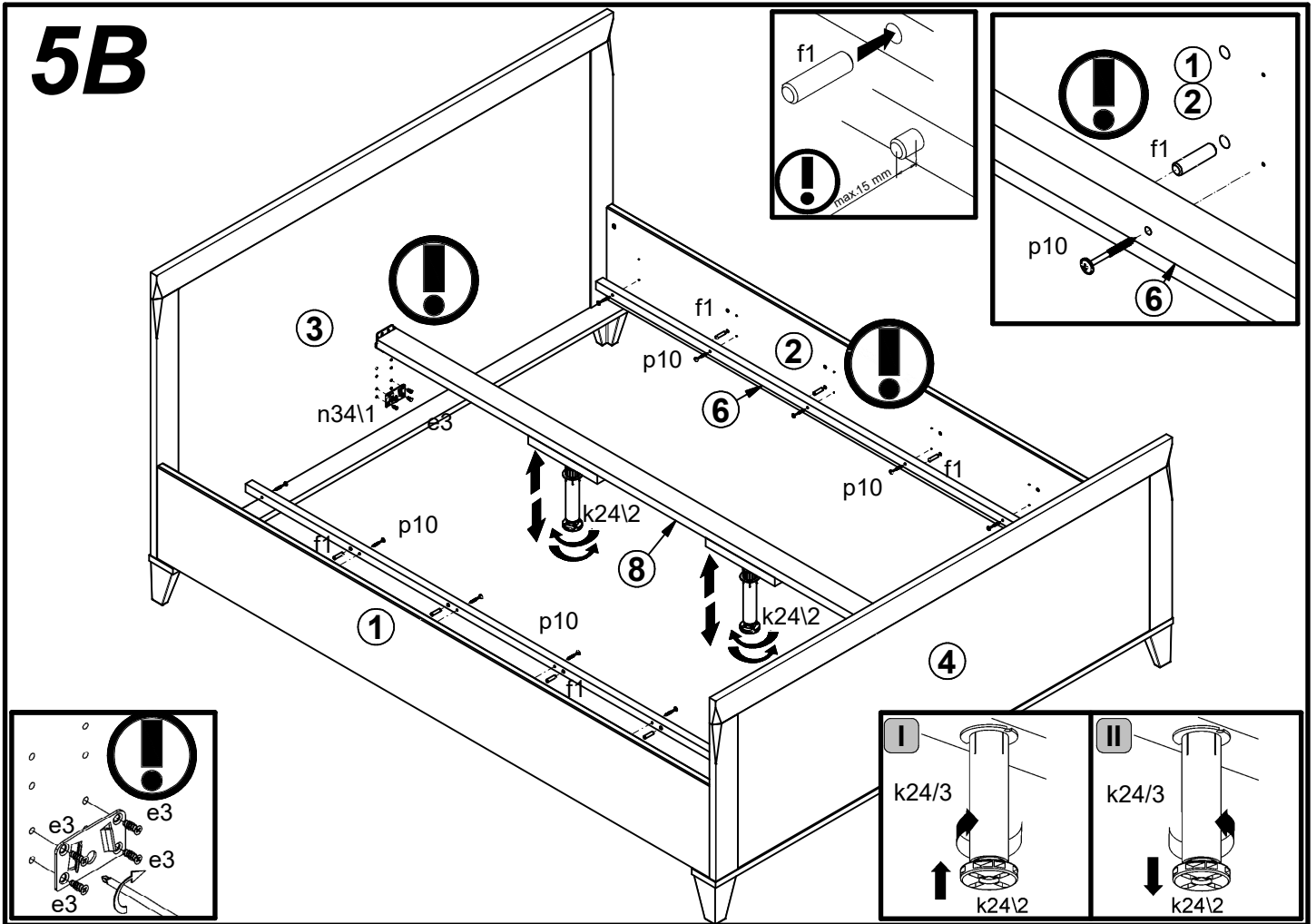


3





5B



6

