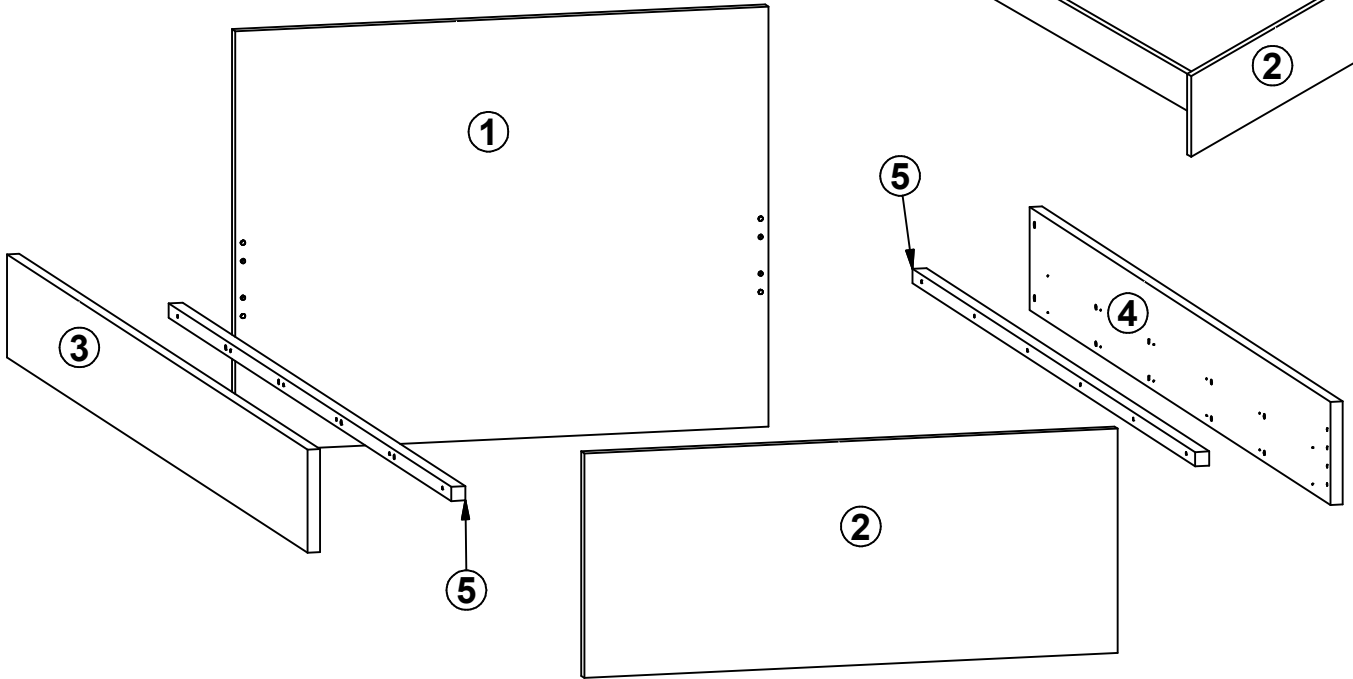
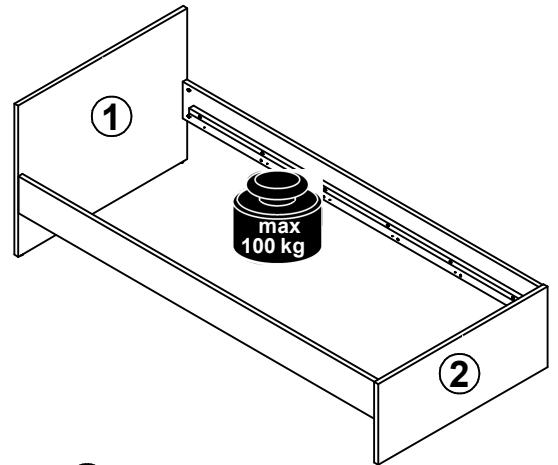
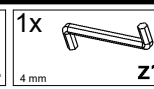
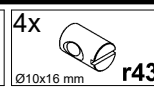
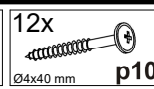
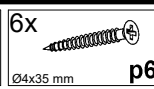
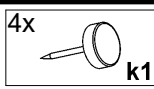
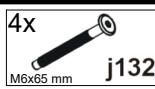
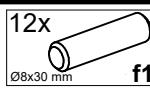
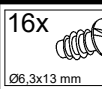
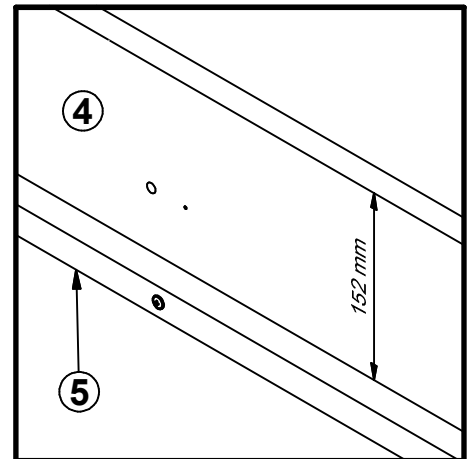
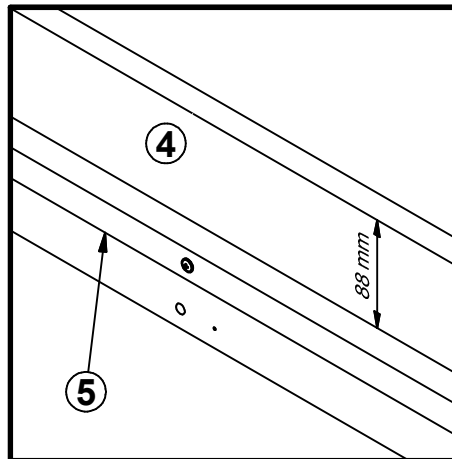
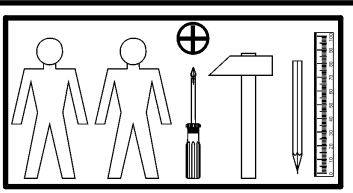
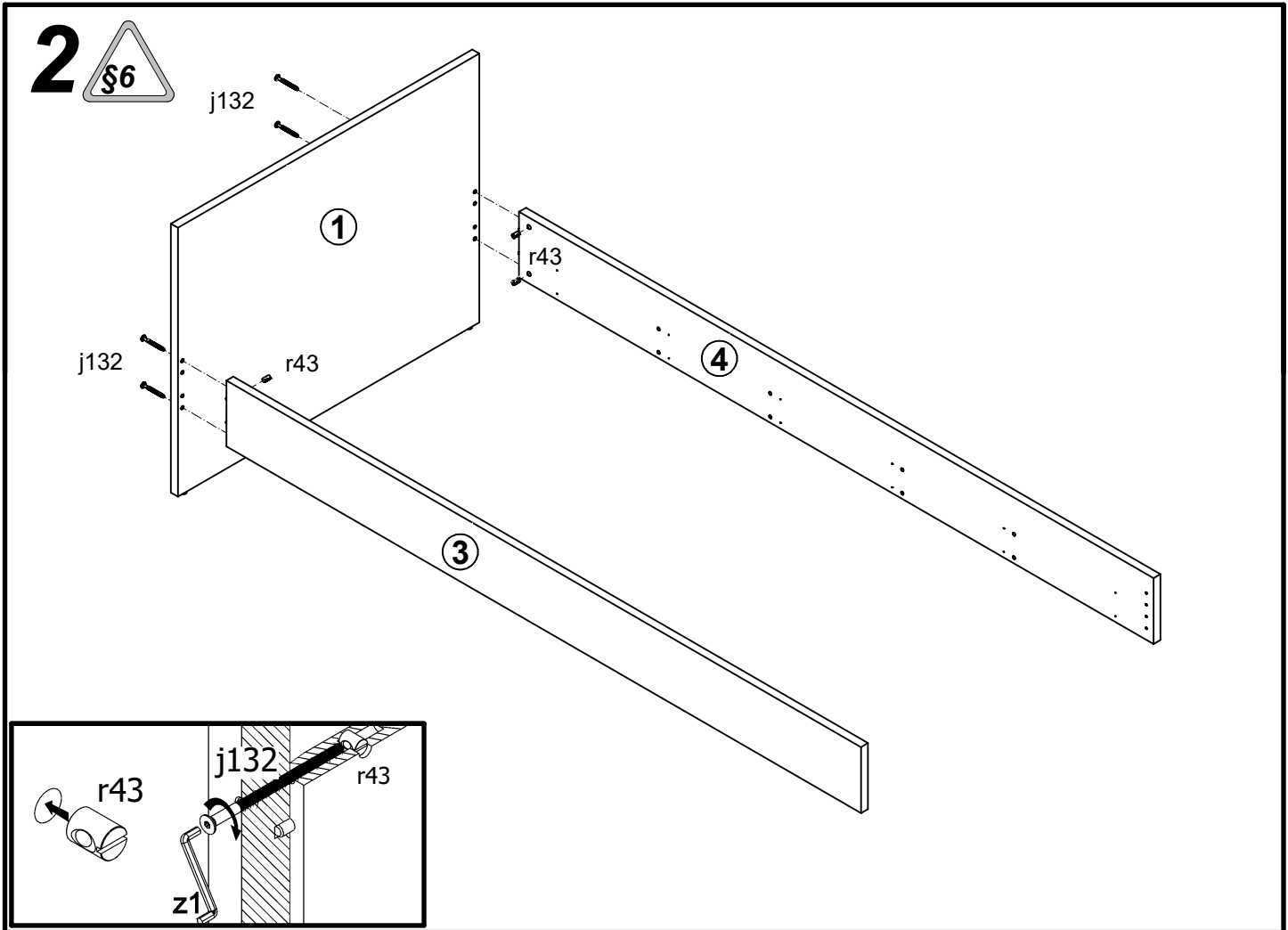
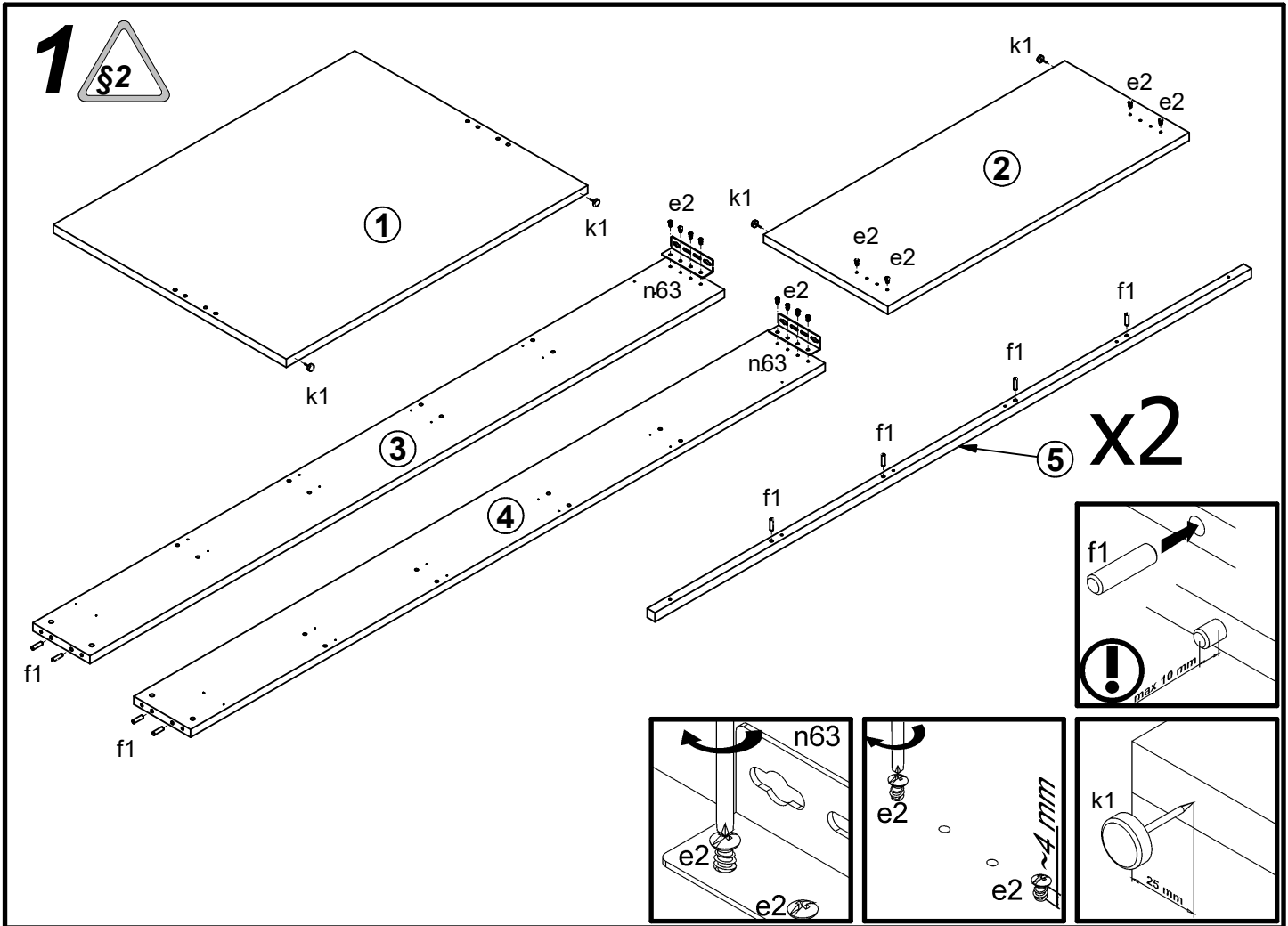


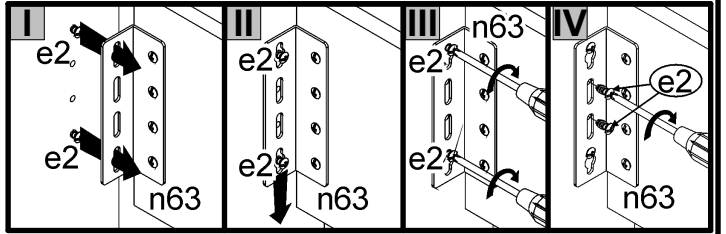
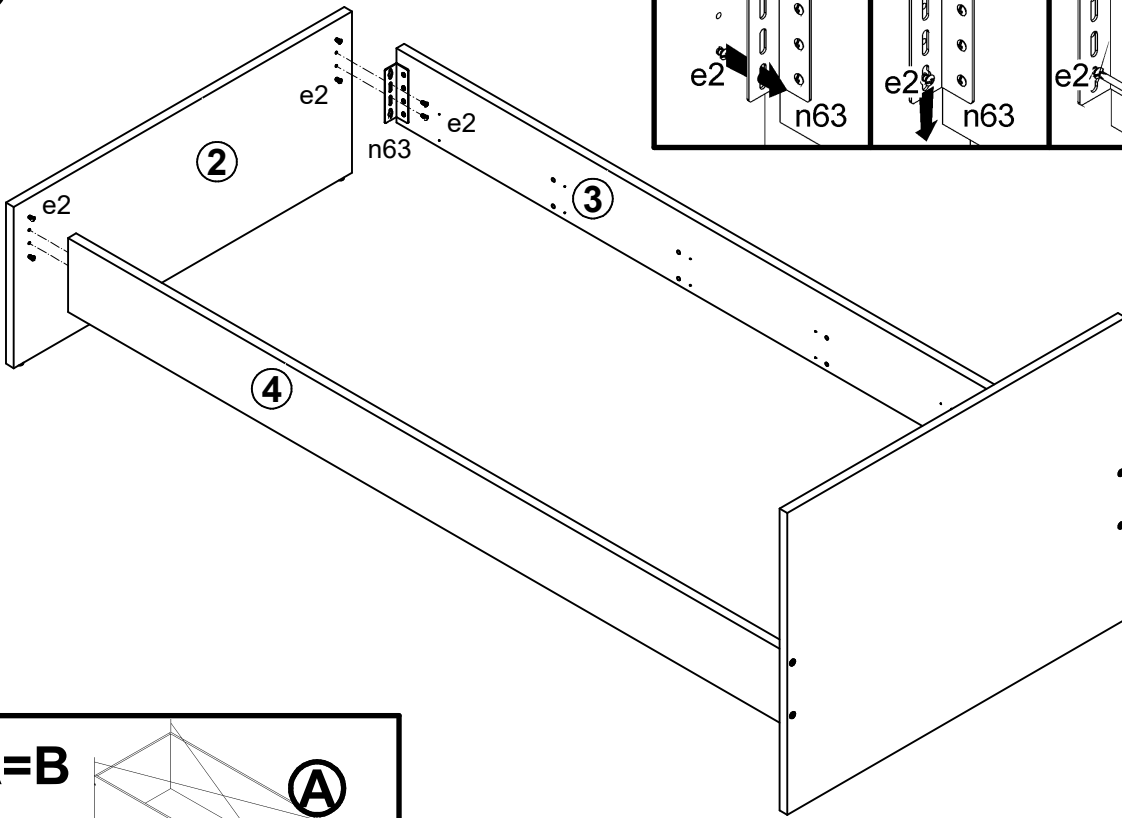
A**RONSE****S399-LOZ/90**

A	B	C	D	
1	S399-4008	950	734	2/2
2	S399-4009	950	392	2/2
3	S399-4010	2000	180	1/2
4	S399-4011	2000	180	1/2
5	ZZ1-747	1880	25	1/2

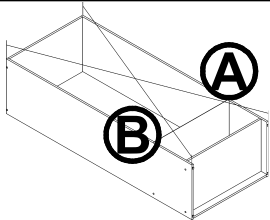
**A****B**



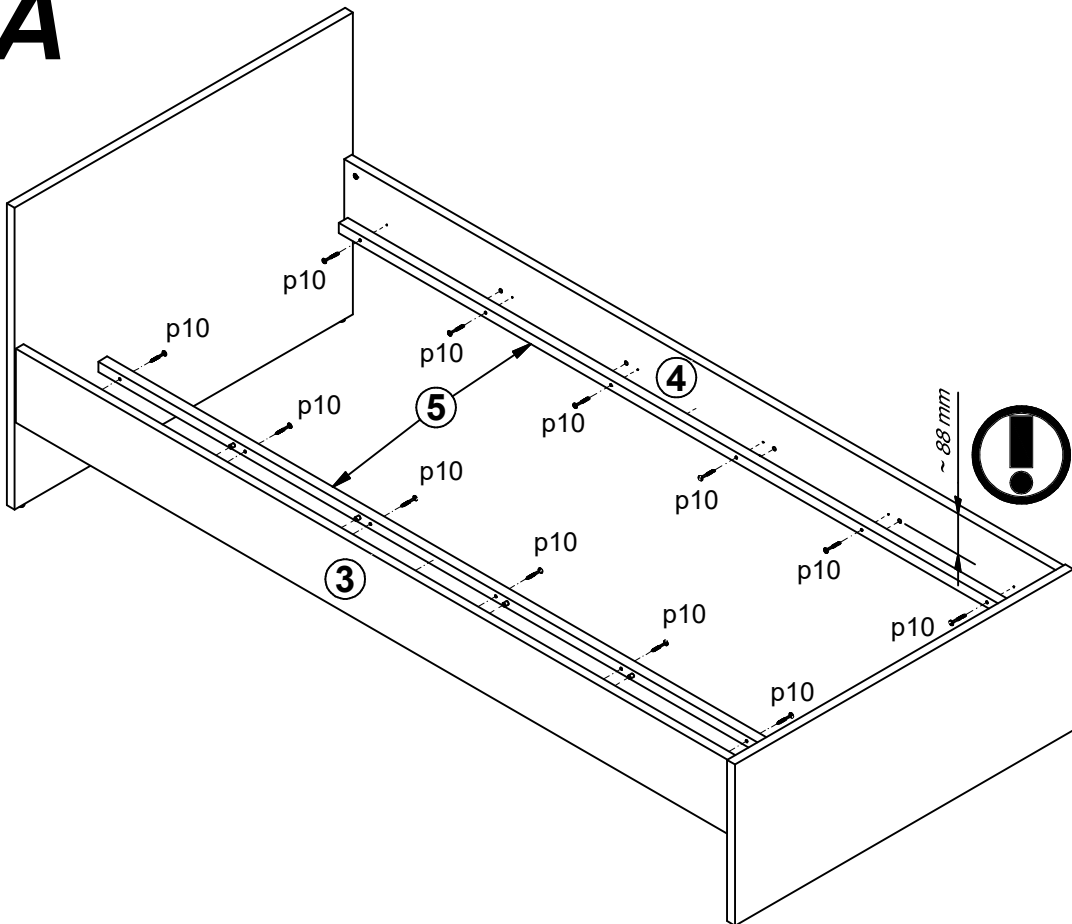
3



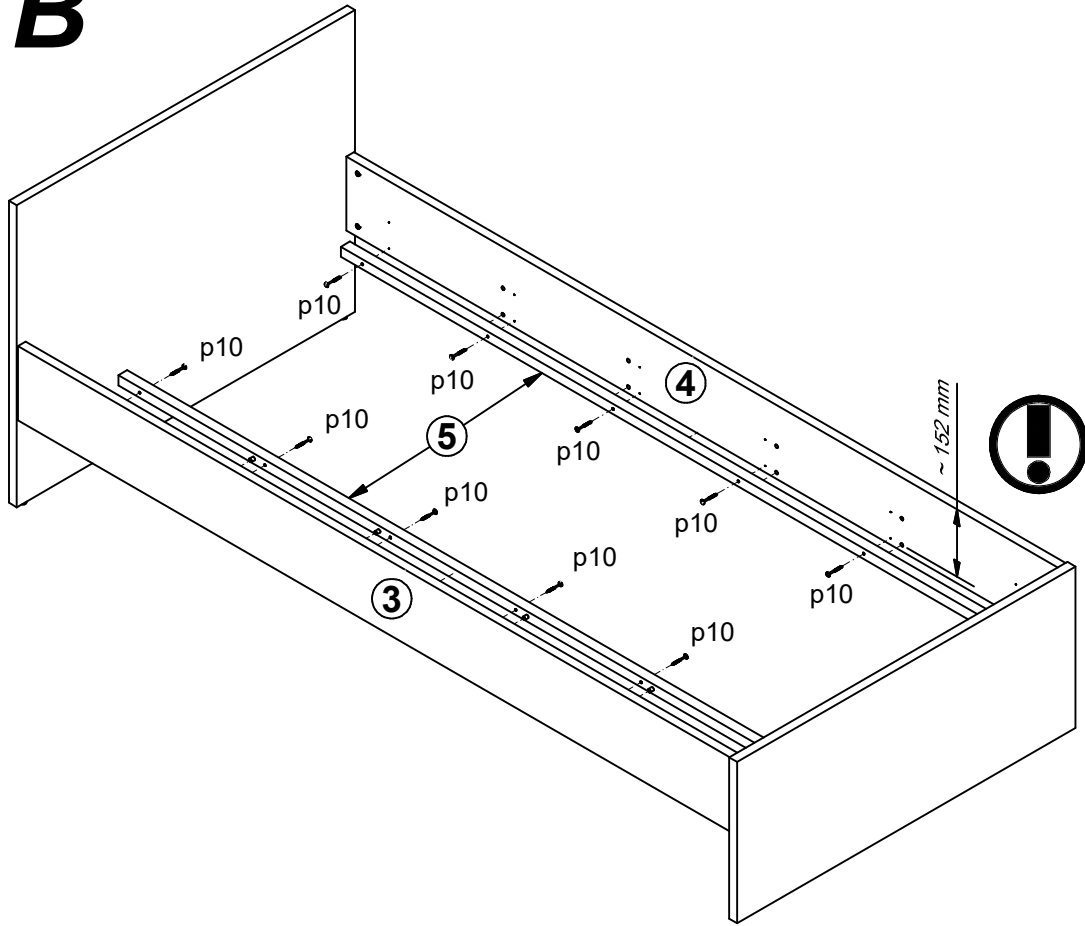
A=B



4 A



4 B



5

