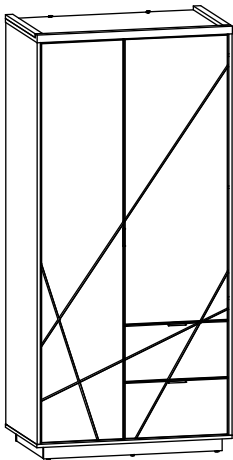
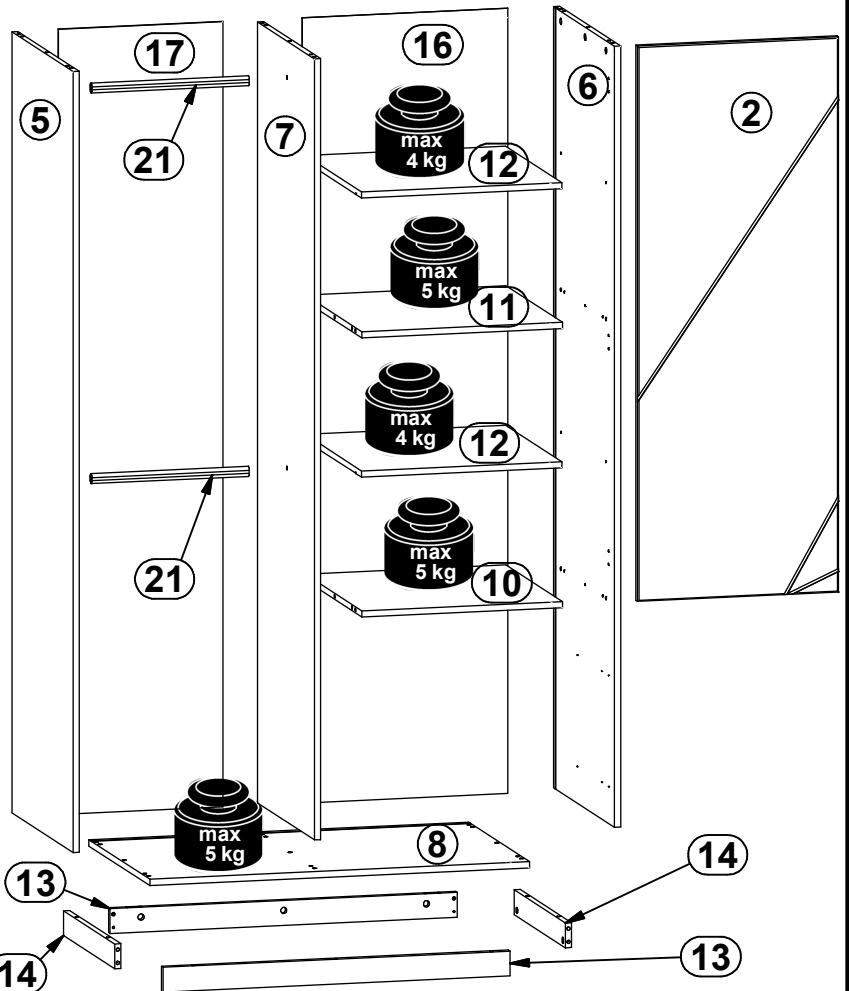
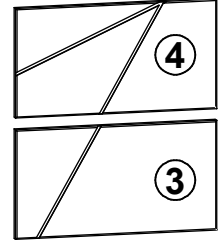
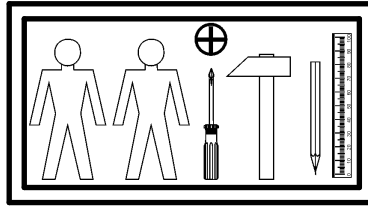
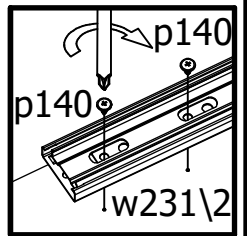
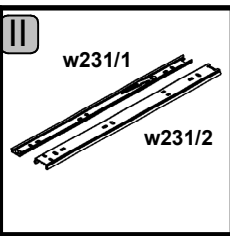
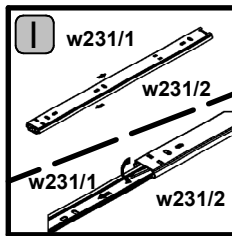
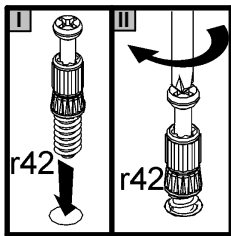
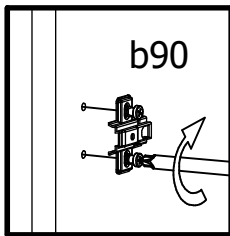
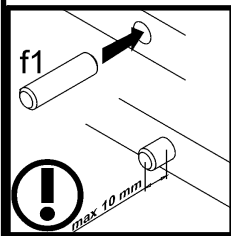
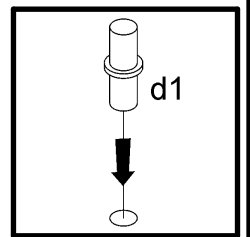
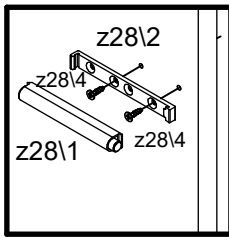
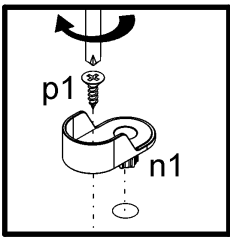
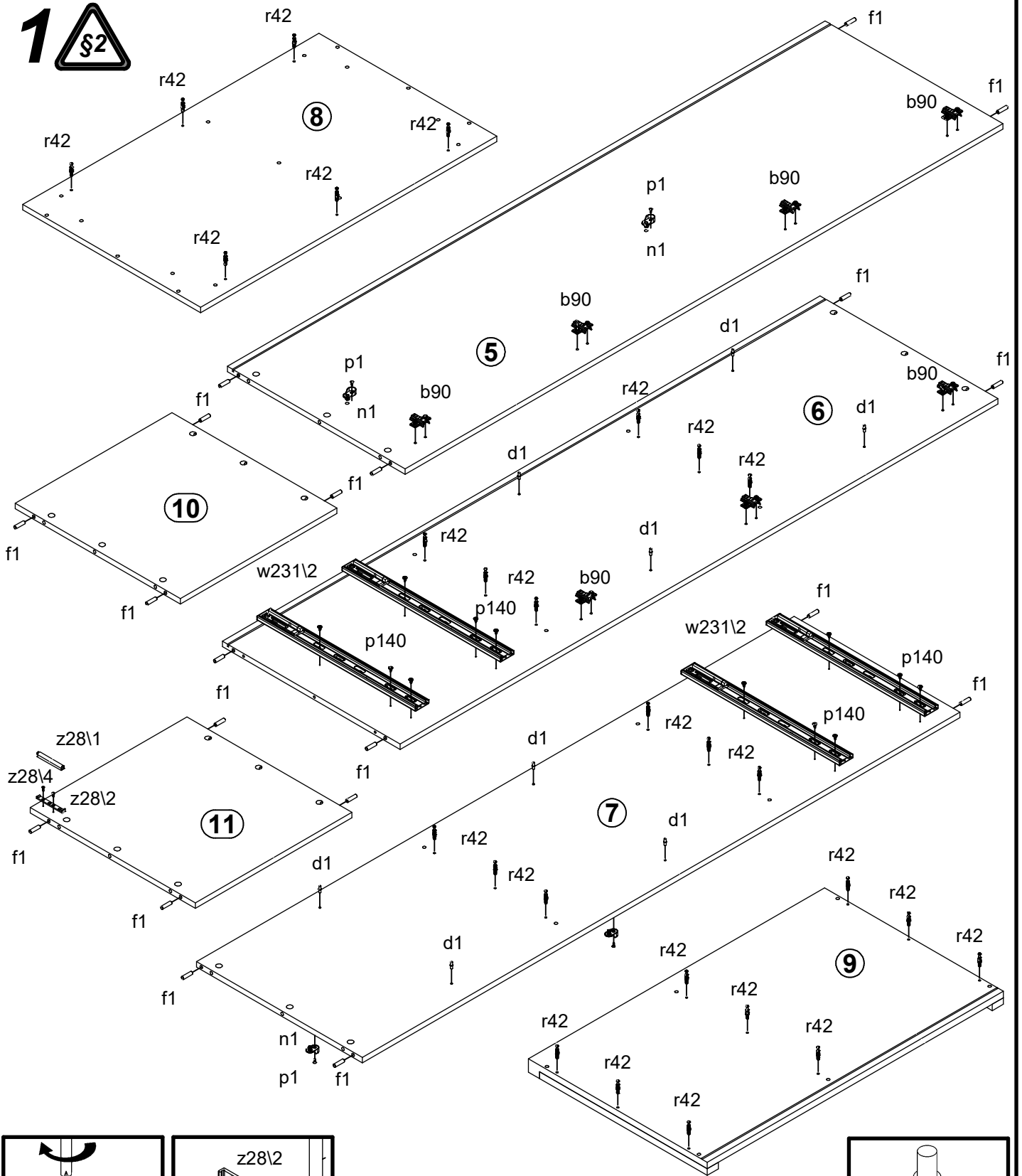


A	B	C	D	
1	S471-0015	1881	396	3/3
2	S471-0016	1343	496	3/3
3	S471-0017	496	265	3/3
4	S471-0018	496	265	3/3
5	S471-1014	1889	562	1/3
6	S471-1015	1889	562	1/3
7	S471-1016	1889	524	1/3
8	S471-2011	936	562	2/3
9	S471-2012	936	565	2/3
A				
10	S471-3009	495	522	2/3
11	S471-3010	495	522	2/3
12	S471-3011	494	518	2/3
13	S471-4003	856	60	2/3
14	S471-4006	472	60	2/3
15	S471-9006	455	507	2/3
16	S471-9007	1899	507	3/3
A				
17	S471-9008	1899	406	3/3
A				
18	ZK3-5122	445	127	2/3
19	ZK4-519	500	140	2/3
20	ZK4-520	500	140	2/3
21	dr-388	388	22	2/3

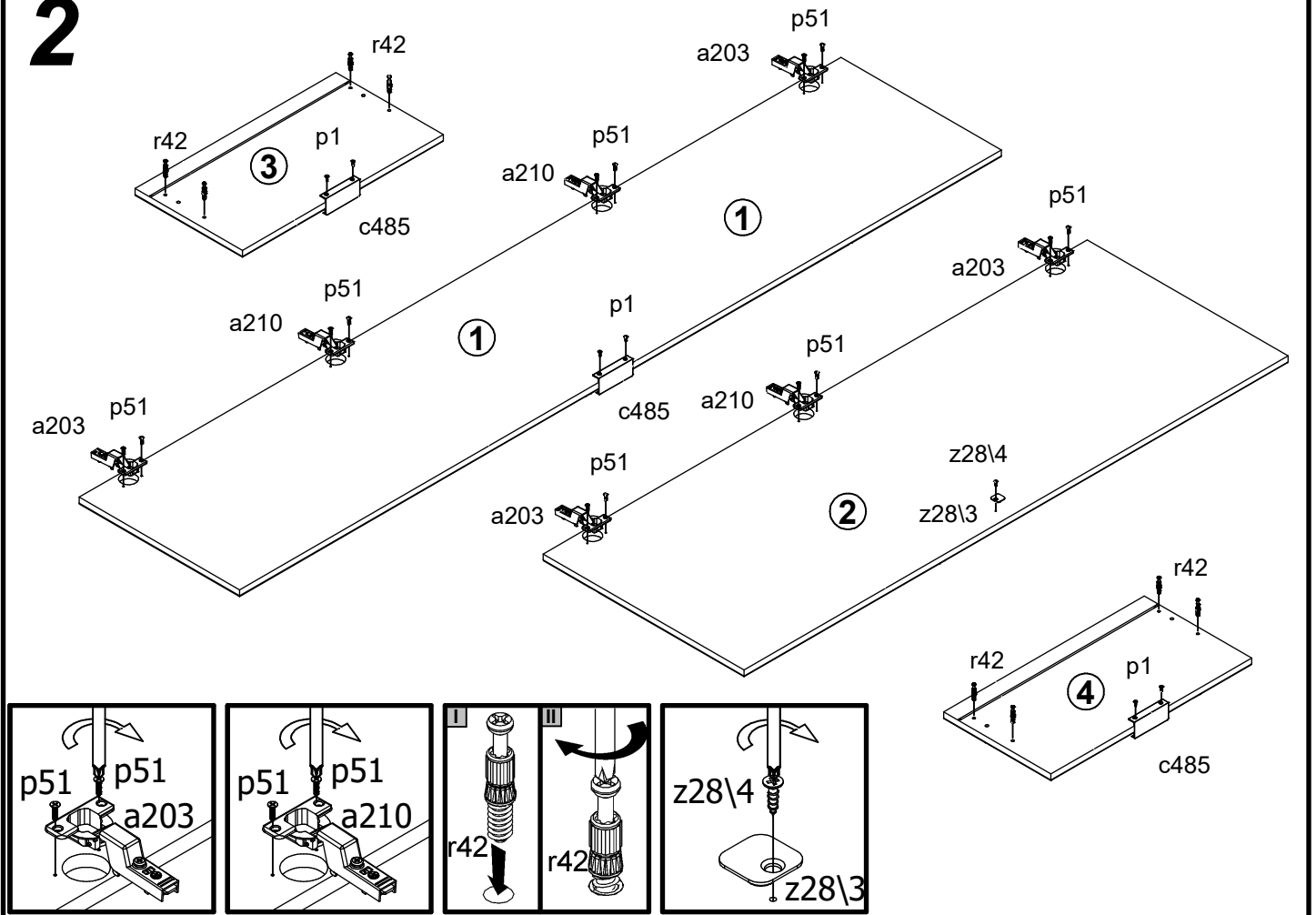


4x a203	3x a210	7x b90	3x c485 84 mm	8x d1 Ø5x17 mm	9x e1 Ø7x50 mm	32x f1 Ø8x30 mm	8x f25 Ø6.5x40 mm	4x f9 Ø6x30 mm	
6x k1	14x l2	4x n1 h=22mm	9x n108 22x9.5x210.7 mm	10x p1 Ø3.5x13 mm	7x p38 Ø3.5x16 mm	14x p51 Ø3.5x15 mm	12x p55 Ø2.9x16 mm	24x p140 Ø3.5x12 mm	
31x r1 Ø15x12 mm #16	8x r15 Ø12x10.5 mm #12	39x r42 20/11	4x w231/1 L=500 mm	4x w231/2 L=500 mm	1x z28/1	1x z28/2 82x9.5/6.5mm	1x z28/3 20x20/1.5 mm	3x z28/4 Ø3x12mm	
9x s68 Ø 20mm	1x z1 4 mm	1x n26/1							

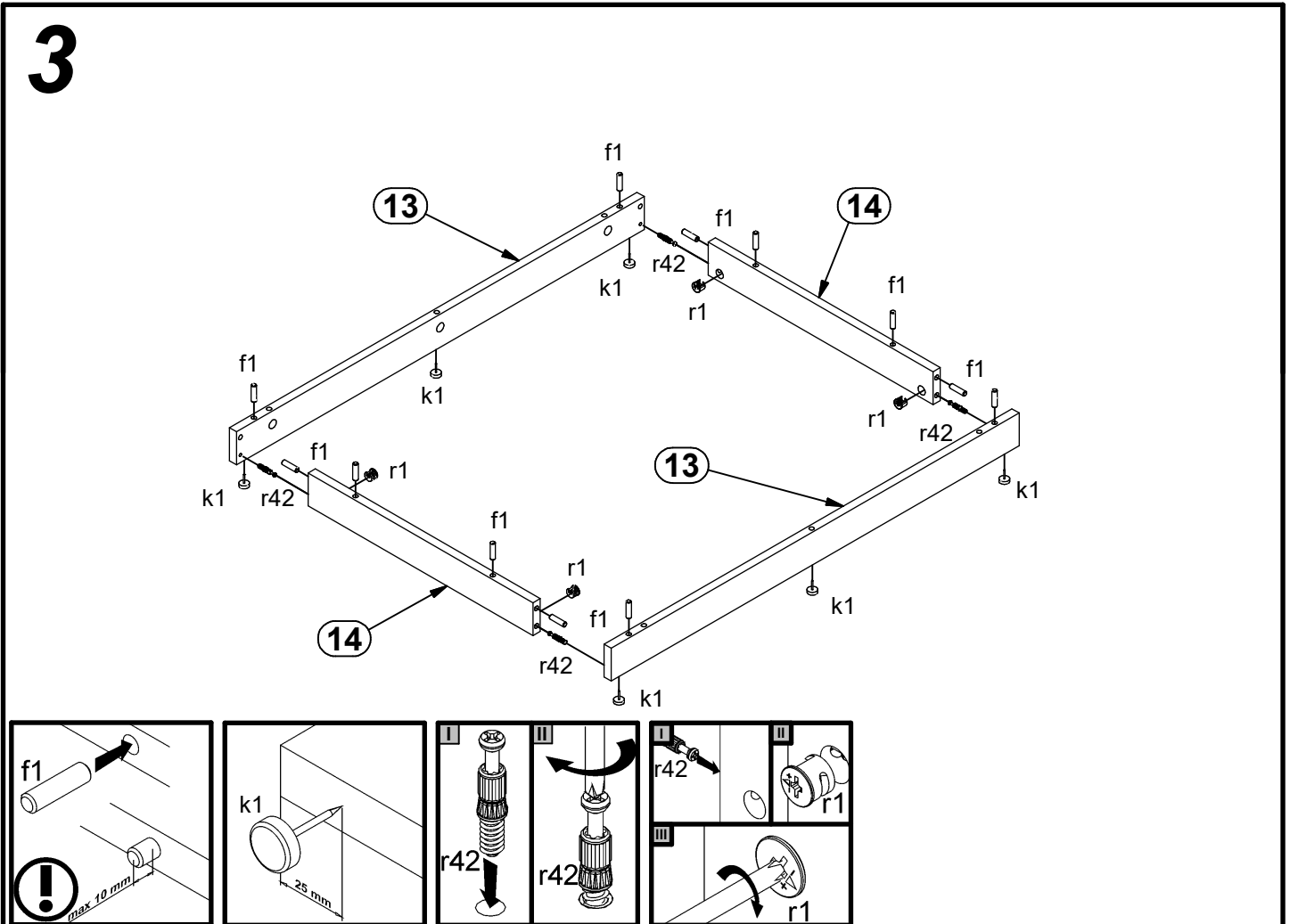
1 



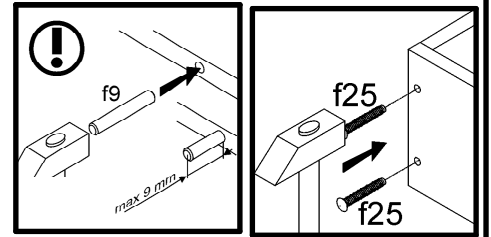
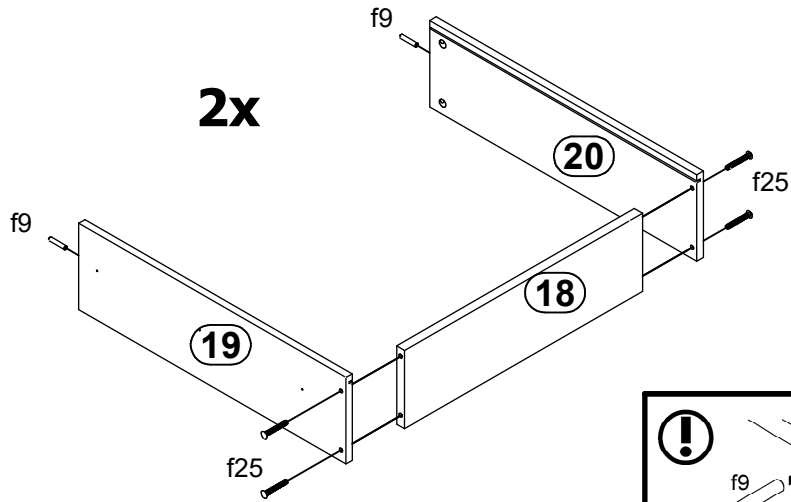
2



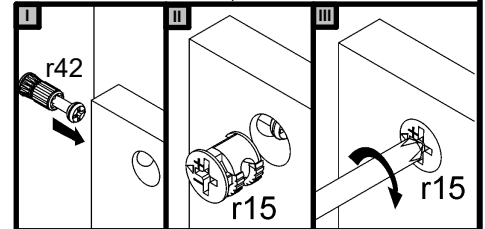
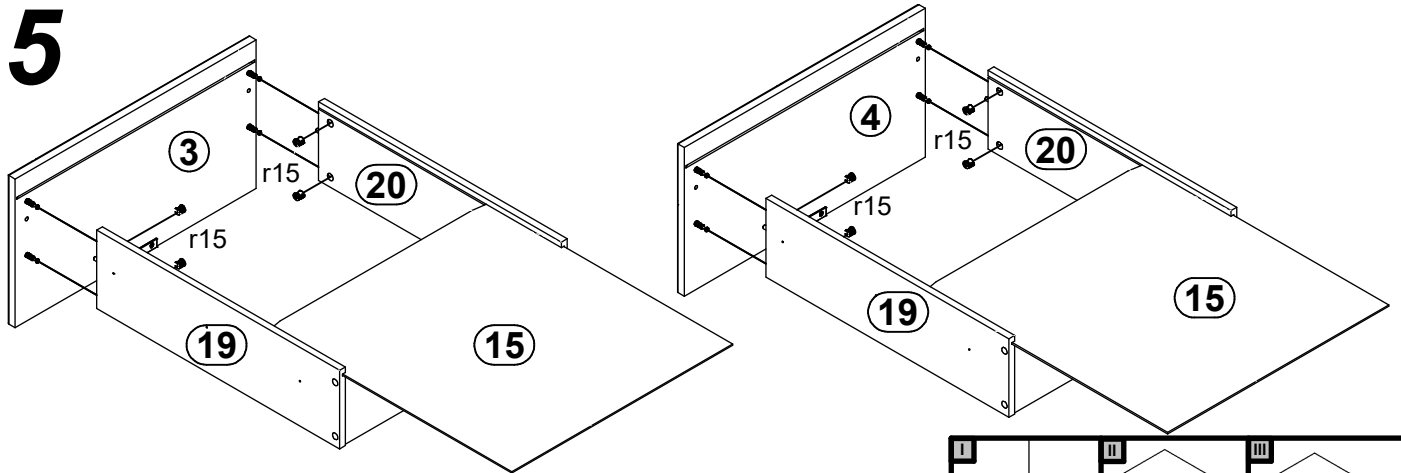
3



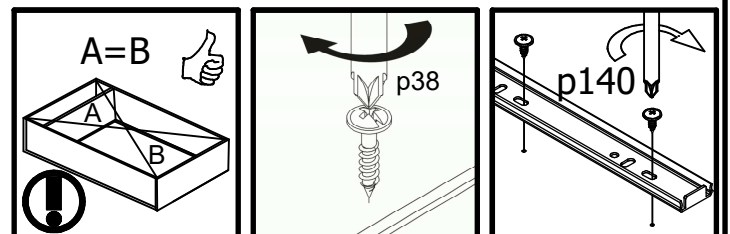
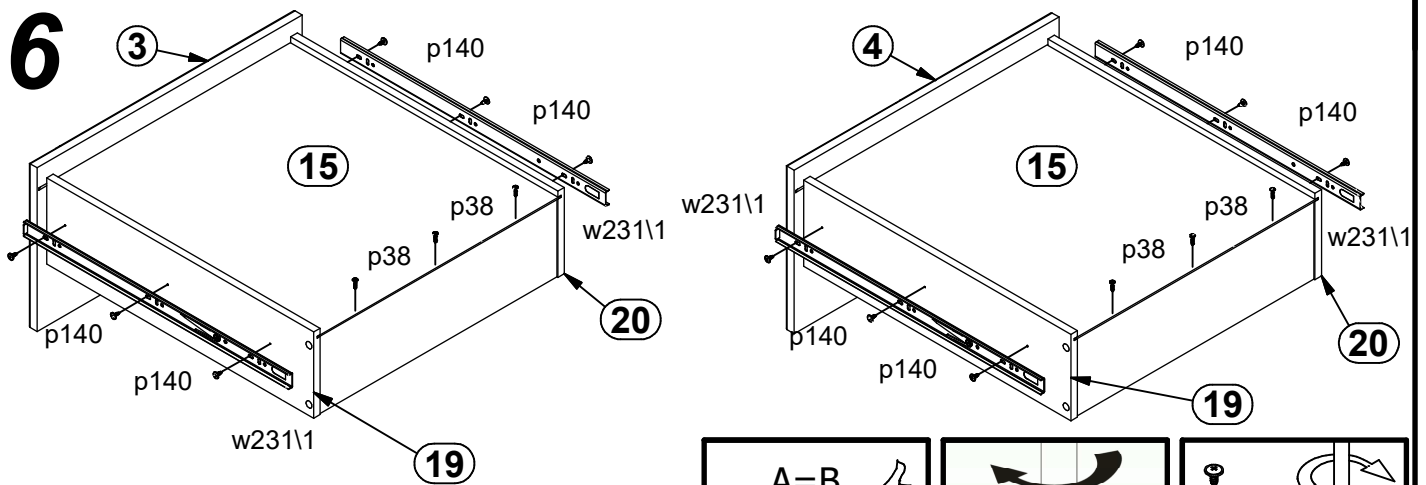
4



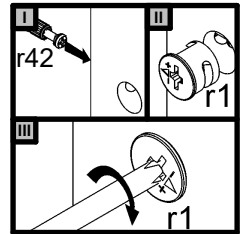
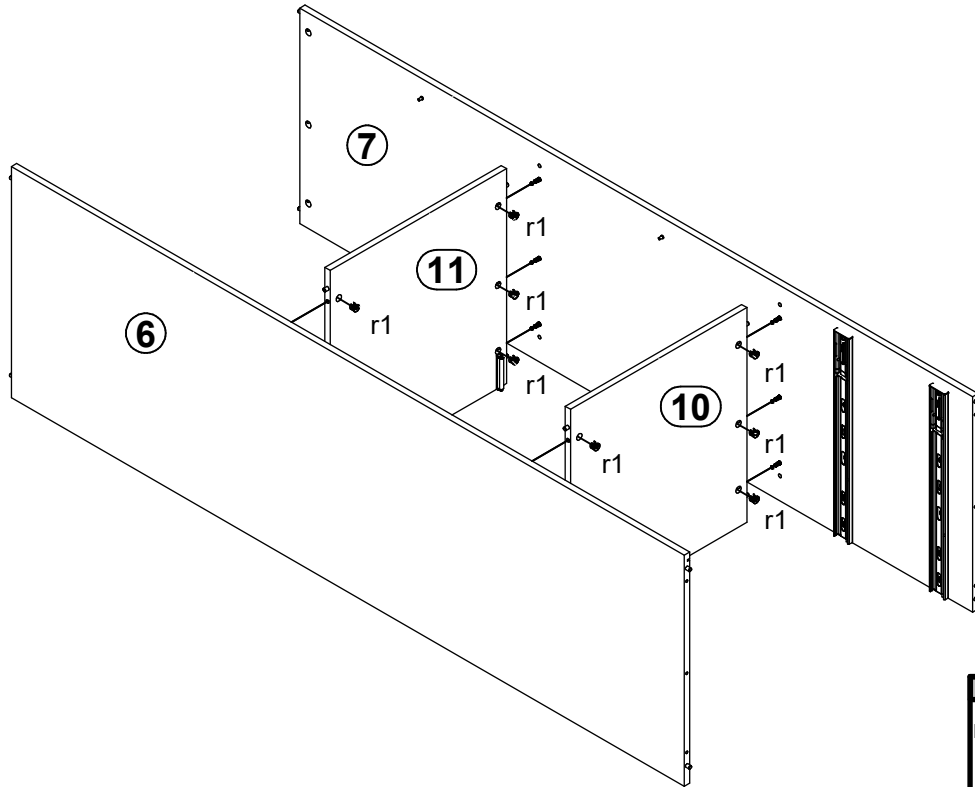
5



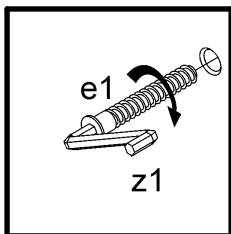
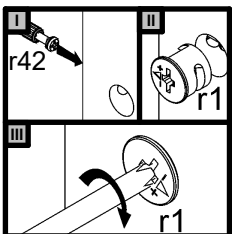
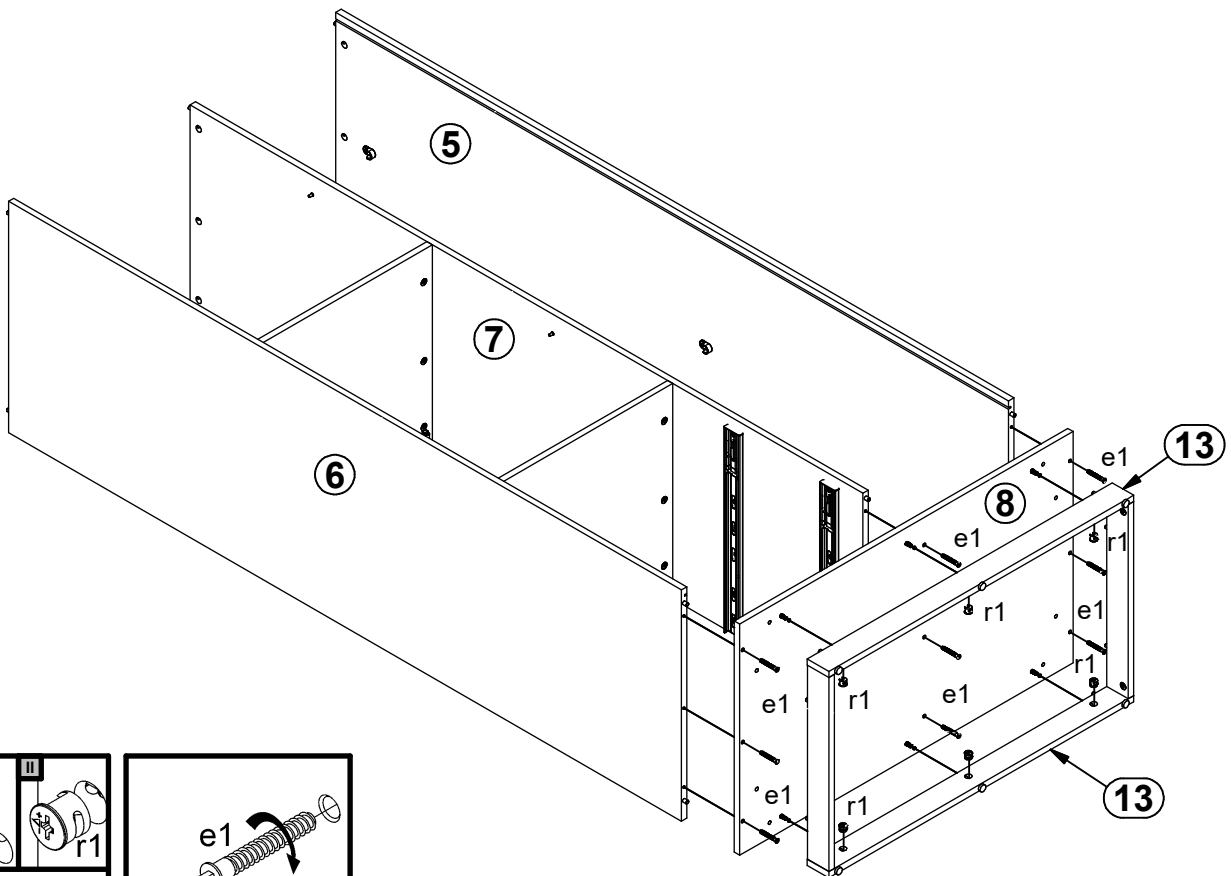
6



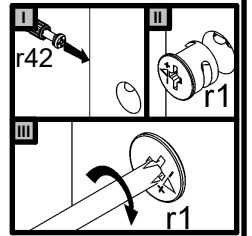
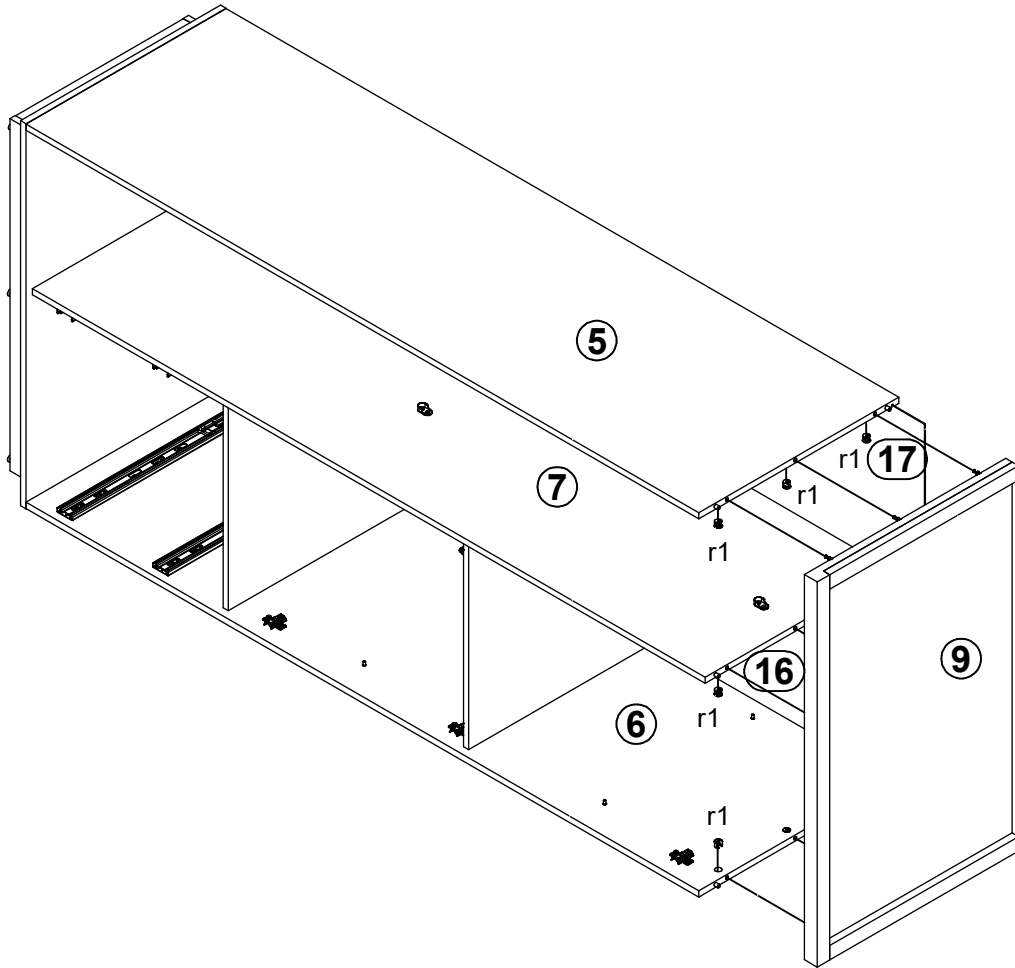
7



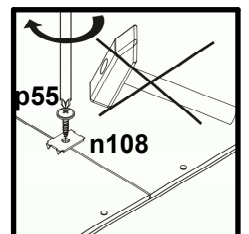
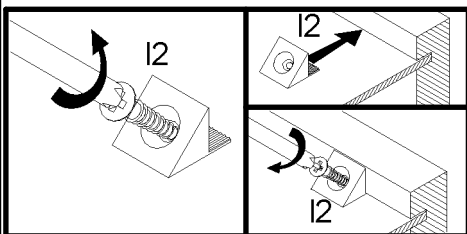
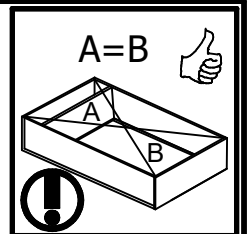
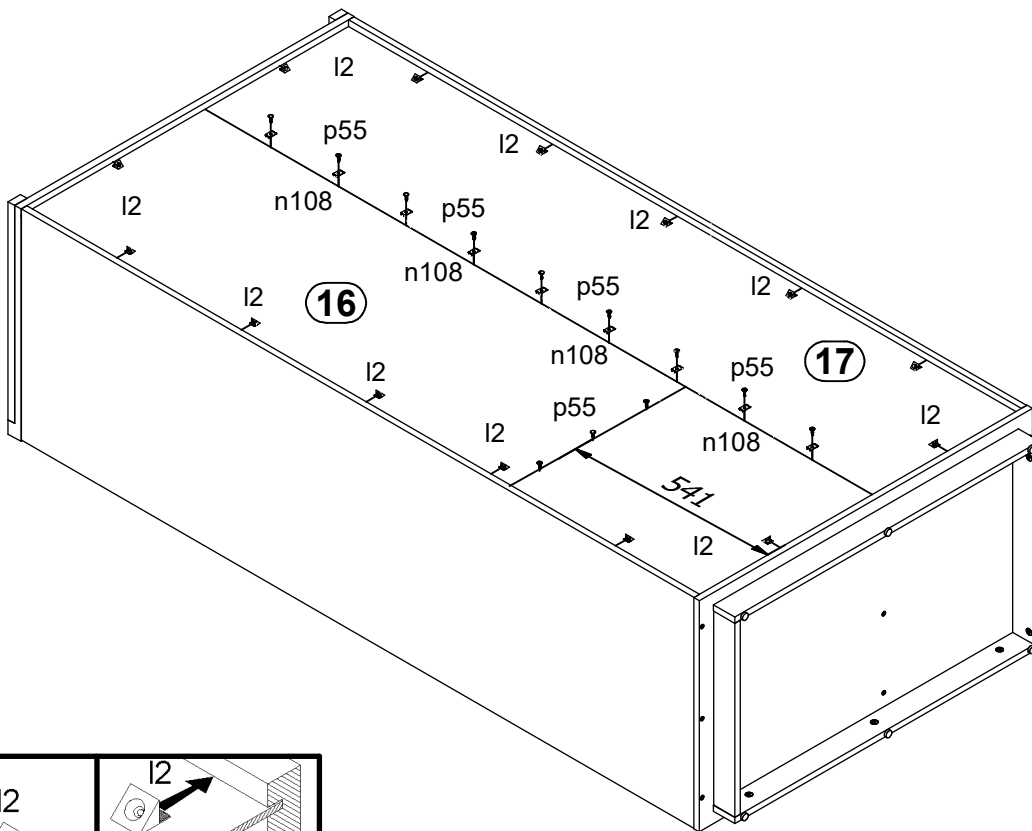
8



9



10



11

